

WAGNER[®]
LIGHTING PRODUCTS
The Automotive Lighting Experts™

A21 2008
Weatherly Index 520
Supersedes January 2005

A21 2008
Indice Weatherly 520
Remplace janvier 2005

A21 2008
Índice Weatherly 520
Reemplaza a Enero de 2005



Lamp Specification Guide
Guide De Spécification
Des Phares
Guía De Especificaciones
De Las Lámparas

2008

Always
Replace in Pairs

Wagner Lighting® Premium Products

TRUVIEW

**TRUER, WHITER LIGHT WITHOUT THE
OFFENSIVE GLARE™**

- Independent testing shows TruView provides better visibility than standard halogen while greatly reducing offensive glare for oncoming drivers found in HID lighting systems.
- Engineered with exclusive SpectraFilter™ technology – as light passes through this glass, the green-yellow portion of the color spectrum is filtered out, projecting a truer, whiter light than regular standard halogen glass
- Meets or exceeds all original equipment performance and quality standards



TruView Twin Packs!

TruView twin packs are a special value compared to purchasing two lamps separately.

New Part Numbers:

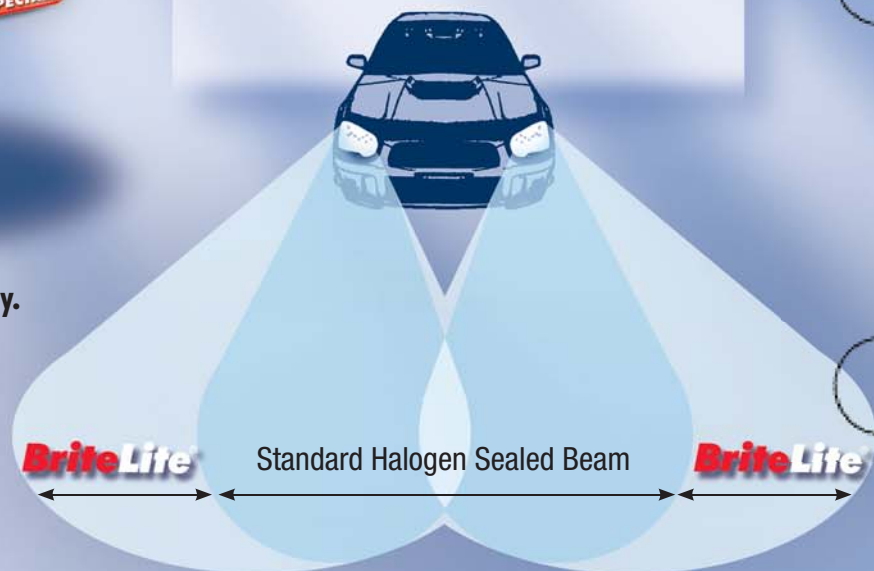
BP9003TV2 BP9004TV2
BP9005TV2 BP9006TV2
BP9007TV2

BriteLite®

**BRIGHTER,
WIDER BEAM
PATTERN FOR
MAXIMUM
VIEWING
SAFETY**



- Equipped with Xenon gas and high powered 55 watt low beam filament
- Creates a 30 degree wider beam pattern and delivers 80% more light on the road
- More efficient design to perform better and run cooler than standard halogen
- Meets or exceeds all original equipment quality standards



Line-Page Index:		1
Miniature Lamps	2	
Specialty Miniature Sealed Beams	6	
Sealed Beam Lamps	6	
Right Hand Drive Sealed Beam Lamps	9	
Illustrated Miniature Lamp Guide,		2
Illustrated Mini-Lamp Guide	10	
Lamp Specifications:		3
Lamp Terminology	17	
Classifications of Major Lamp Families	18	
Miniature Lamp Performance Characteristics	18	
Filament Characteristics	19	
Filament and Mount Designs	19	
Miniature Lamp Base Types	20	
Life Charts	22	
Terminology for Lamp Specifications,		4
Technology for Lamp Specifications	23	
Miniature Lamp Specifications,		5
Miniature Lamp Specifications	24	
Miniature Lamp L.C.L. and M.O.L. Metric Equivalency Chart	45	
Sealed Beam Illustrations,		6
Sealed Beam Illustrations	46	
Sealed Beam Base Types,		7
Sealed Beam Base Types	48	
Specialty Miniature Sealed Beam Specifications,		8
Specialty Miniature Sealed Beam Specifications	49	
Sealed Beam Specifications,		9
Sealed Beam Specifications	50	
Right Hand Drive Sealed Beam Specifications,		10
Right Hand Drive Sealed Beam Specifications	60	
Identification Charts:		11
Automotive Lighting and European Halogen Lamp Types	61	

Some part numbers are included for reference only and inventory may not be available.

For additional assistance, we recommend calling our toll-free technical hot line: 1-800-325-8886.

www.federal-mogul.com

LAMP NO.	BULB TYPE	PAGE NO.	LINE NO.
Miniature Lamps			
1A/27W	T-4 Bulb ½"	40	27
1A/50W	T-4 Bulb ½"	41	5
D2R	T-3 Bulb ⅜"	36	18
D2S	T-3 Bulb ⅜"	36	19
PR2	B-3½ Bulb ⅞"	24	3
PR3	B-3½ Bulb ⅞"	24	9
4	T-1¾ Bulb ⅞"	33	22
4S	T-1¾ Bulb ⅞"	33	23
PR4	B-3½ Bulb ⅞"	24	2
PR6	B-3½ Bulb ⅞"	24	6
PR7	B-3½ Bulb ⅞"	24	11
PR9	B-3½ Bulb ⅞"	24	7
10	G-3½ Bulb ⅞"	25	9
12	G-3½ Bulb ⅞"	25	11
PR12	B-3½ Bulb ⅞"	24	16
13	G-3½ Bulb ⅞"	25	10
PR13	B-3½ Bulb ⅞"	24	13
14	G-3½ Bulb ⅞"	25	8
15	G-4½ Bulb ⅞"	26	4
PR15	B-3½ Bulb ⅞"	24	15
17	T-1¾ Bulb ⅞"	34	15
18	T-1¾ Bulb ⅞"	34	16
PR18	B-3½ Bulb ⅞"	24	18
19	G-3½ Bulb ⅞"	25	21
PR20	B-3½ Bulb ⅞"	24	19
24	T-2¾ Bulb 1½"	35	24
24NA	T-2¾ Bulb 1½"	35	23
25	G-3½ Bulb ⅞"	25	12
27	G-4½ Bulb ⅞"	25	30
27.OH1	T-3¼ Bulb 1⅜"	38	2
29	G-3½ Bulb ⅞"	25	15
PR29	B-3½ Bulb ⅞"	24	8
PR30	B-3½ Bulb ⅞"	24	12
37	T-1¾ Bulb ⅞"	34	20
37.5H1	T-3¼ Bulb 1⅜"	38	7
PC37	T-1¾ Bulb ⅞"	34	21
40	T-3¼ Bulb 1⅜"	36	28
42	T-3¼ Bulb 1⅜"	36	22
44	T-3¼ Bulb 1⅜"	37	2
45	T-3¼ Bulb 1⅜"	36	23
46	T-3¼ Bulb 1⅜"	37	3
47	T-3¼ Bulb 1⅜"	36	29
49	T-3¼ Bulb 1⅜"	36	21
51	G-3½ Bulb ⅞"	25	14
53	G-3½ Bulb ⅞"	25	22
53R	G-3½ Bulb ⅞"	25	19
53X	G-3½ Bulb ⅞"	25	23
55	G-4½ Bulb ⅞"	26	5
57	G-4½ Bulb ⅞"	26	7
57X	G-4½ Bulb ⅞"	26	8
63	G-6 Bulb ¾"	26	14
64	G-6 Bulb ¾"	26	15
67	G-6 Bulb ¾"	26	23
68	G-6 Bulb ¾"	26	24
70	T-1¾ Bulb ⅞"	34	27
73	T-1¾ Bulb ⅞"	34	17
74	T-1¾ Bulb ⅞"	34	24
PC74	T-1¾ Bulb ⅞"	34	25
PC74S	T-1¾ Bulb ⅞"	34	26
81	G-6 Bulb ¾"	26	12

LAMP NO.	BULB TYPE	PAGE NO.	LINE NO.
Miniature Lamps (Continued)			
82	G-6 Bulb ¾"	26	13
85	T-1¾ Bulb ⅞"	34	34
86	T-1¾ Bulb ⅞"	34	1
87	S-8 Bulb 1"	31	1
88	S-8 Bulb 1"	31	2
89	G-6 Bulb ¾"	26	18
90	G-6 Bulb ¾"	26	19
93	S-8 Bulb 1"	31	9
94	S-8 Bulb 1"	31	10
97	G-6 Bulb ¾"	26	25
97A	G-6 Bulb ¾"	26	21
97NA	G-6 Bulb ¾"	26	22
98	G-6 Bulb ¾"	26	20
KPR102	B-3½ Bulb ⅞"	24	4
KPR103	B-3½ Bulb ⅞"	24	10
104	B-6 Bulb ¾"	24	24
105	B-6 Bulb ¾"	24	25
112	T-3 Bulb ⅜"	35	27
KPR113	B-3½ Bulb ⅞"	24	14
KPR118	B-3½ Bulb ⅞"	24	17
PC118	T-2¼ Bulb ⅞"	35	6
PC119	T-2¼ Bulb ⅞"	35	7
124	T-3¼ Bulb 1⅜"	38	25
KPR131	B-3½ Bulb ⅞"	24	5
137	G-3½ Bulb ⅞"	25	13
KPR141	B-3½ Bulb ⅞"	24	1
147	T-3¼ Bulb 1⅜"	37	5
152	T-3¼ Bulb 1⅜"	40	13
158	T-3¼ Bulb 1⅜"	39	5
PC158	T-3¼ Bulb 1⅜"	39	6
159	T-3¼ Bulb 1⅜"	36	26
160	T-3¼ Bulb 1⅜"	38	19
PC160	T-3¼ Bulb 1⅜"	38	20
161	T-3¼ Bulb 1⅜"	38	21
PC161	T-3¼ Bulb 1⅜"	38	22
168	T-3¼ Bulb 1⅜"	39	23
168NA	T-3¼ Bulb 1⅜"	39	24
PC168	T-3¼ Bulb 1⅜"	39	25
PC168B	T-3¼ Bulb 1⅜"	39	7
175	T-3¼ Bulb 1⅜"	39	27
PC175	T-3¼ Bulb 1⅜"	39	28
182	G-3½ Bulb ⅞"	25	24
184	T-3¼ Bulb 1⅜"	40	3
192	T-3¼ Bulb 1⅜"	38	14
193	T-3¼ Bulb 1⅜"	39	8
194	T-3¼ Bulb 1⅜"	39	9
194A	T-3¼ Bulb 1⅜"	38	26
194B	T-3¼ Bulb 1⅜"	39	10
194E	T-3¼ Bulb 1⅜"	39	11
194G	T-3¼ Bulb 1⅜"	39	12
194LL	T-3¼ Bulb 1⅜"	39	2
194NA	T-3¼ Bulb 1⅜"	38	27
194NALL	T-3¼ Bulb 1⅜"	38	28
194R	T-3¼ Bulb 1⅜"	39	13
PC194	T-3¼ Bulb 1⅜"	39	14
PC194B	T-3¼ Bulb 1⅜"	39	15
PC194G	T-3¼ Bulb 1⅜"	39	16
PC194R	T-3¼ Bulb 1⅜"	39	17
195	T-3¼ Bulb 1⅜"	39	3
PC195	T-3¼ Bulb 1⅜"	39	4

LAMP NO.	BULB TYPE	PAGE NO.	LINE NO.
Miniature Lamps (Continued)			
198	S-8 Bulb 1"	32	5
199	S-8 Bulb 1"	32	6
HM201	T-3¼ Bulb 1⅜"	38	1
HM202	T-3¼ Bulb 1⅜"	38	6
204	T-3¼ Bulb 1⅜"	39	26
205	T-3¼ Bulb 1⅜"	39	29
208	T-3¼ Bulb 1⅜"	39	30
209	B-6 Bulb ¾"	24	20
210	B-6 Bulb ¾"	24	21
211-2	T-3 Bulb ⅝"	36	7
212-2	T-3 Bulb ⅝"	36	11
214-2	T-3 Bulb ⅝"	36	9
222	T-3 Bulb ⅝"	36	1
257	G-4½ Bulb ⅞"	26	6
259	T-3¼ Bulb 1⅜"	37	1
265	G-3½ Bulb ⅞"	25	27
268	T-1¼ Bulb ⅞"	33	21
280	T-3¼ Bulb 1⅜"	37	6
293	G-4½ Bulb ⅞"	26	9
303	G-6 Bulb ¾"	27	2
304	G-6 Bulb ¾"	27	3
305	S-8 Bulb 1"	33	3
306	S-8 Bulb 1"	33	4
307	S-8 Bulb 1"	33	8
308	S-8 Bulb 1"	33	9
309	S-11 Bulb 1⅝"	33	18
311	S-11 Bulb 1⅝"	33	19
313	T-3¼ Bulb 1⅜"	40	20
315	S-8 Bulb 1"	33	13
327	T-1¼ Bulb ⅞"	34	37
327R	T-1¼ Bulb ⅞"	34	33
327X	T-1¼ Bulb ⅞"	34	38
328	T-1¼ Bulb ⅞"	33	30
330	T-1¼ Bulb ⅞"	34	22
331	T-1¼ Bulb ⅞"	33	20
334	T-1¼ Bulb ⅞"	34	39
344	T-1¼ Bulb ⅞"	34	6
345	T-1¼ Bulb ⅞"	33	29
346	T-1¼ Bulb ⅞"	34	30
350	T-1¼ Bulb ⅞"	34	2
356	G-3½ Bulb ⅞"	25	28
363	G-3½ Bulb ⅞"	25	17
367	T-1¼ Bulb ⅞"	34	7
370	T-1¼ Bulb ⅞"	34	29
381	T-1¼ Bulb ⅞"	34	3
382	T-1¼ Bulb ⅞"	34	18
384	T-1¼ Bulb ⅞"	34	9
386	T-1¼ Bulb ⅞"	34	19
387	T-1¼ Bulb ⅞"	34	35
388	T-1¼ Bulb ⅞"	34	36
394	T-1¼ Bulb ⅞"	34	10
400	T-3¼ Bulb 1⅜"	40	16
407	G-4½ Bulb ⅞"	25	29
425	G-4½ Bulb ⅞"	26	1
447	T-3¼ Bulb 1⅜"	36	30
456	G-4½ Bulb ⅞"	26	11
464	T-3¼ Bulb 1⅜"	40	17
502	G-4½ Bulb ⅞"	26	2
555	T-3¼ Bulb 1⅜"	37	4
558	T-3¼ Bulb 1⅜"	38	13

LAMP NO.	BULB TYPE	PAGE NO.	LINE NO.
Miniature Lamps (Continued)			
560	T-3 Bulb ⅝"	36	14
561	T-3 Bulb ⅝"	36	8
562	T-3 Bulb ⅝"	36	12
563	T-3 Bulb ⅝"	36	10
564	T-3 Bulb ⅝"	36	15
566	T-3 Bulb ⅝"	36	13
567	T-3 Bulb ⅝"	36	5
570	T-4¾ Bulb 1⅞"	43	13
571	T-4¾ Bulb 1⅞"	43	14
573	T-4¾ Bulb 1⅞"	43	15
575	T-4¾ Bulb 1⅞"	43	16
576	T-4¾ Bulb 1⅞"	43	11
577	T-4¾ Bulb 1⅞"	43	12
578	T-3 Bulb ⅝"	36	6
579	T-5 Bulb ⅝"	44	13
PC579	T-5 Bulb ⅝"	44	14
605	G-4½ Bulb ⅞"	26	3
623	G-6 Bulb ¾"	27	4
624	G-6 Bulb ¾"	27	5
631	G-6 Bulb ¾"	26	28
656	T-3¼ Bulb 1⅜"	40	10
657	T-3¼ Bulb 1⅜"	40	11
658	T-3¼ Bulb 1⅜"	38	17
755	T-3¼ Bulb 1⅜"	36	25
756	T-3¼ Bulb 1⅜"	38	18
757	T-3¼ Bulb 1⅜"	40	12
795	T-4 Bulb ½"	41	6
795X	T-4 Bulb ½"	41	7
796	T-4 Bulb ½"	40	28
797	T-4 Bulb ½"	41	8
862	T-3¼ Bulb 1⅜"	38	3
880	T-3¼ Bulb 1⅜"	37	21
881	T-3¼ Bulb 1⅜"	37	22
882	T-2¼ Bulb ⅞"	35	1
884	T-3¼ Bulb 1⅜"	37	23
885	T-3¼ Bulb 1⅜"	38	11
886	T-3¼ Bulb 1⅜"	38	12
889	T-3¼ Bulb 1⅜"	37	24
890	T-3¼ Bulb 1⅜"	37	25
891	T-2¼ Bulb ⅞"	35	3
892	T-3¼ Bulb 1⅜"	37	20
893	T-3¼ Bulb 1⅜"	38	8
894	T-3¼ Bulb 1⅜"	38	9
896	T-3¼ Bulb 1⅜"	38	10
898	T-3¼ Bulb 1⅜"	38	4
899	T-3¼ Bulb 1⅜"	38	5
904	T-5 Bulb ⅝"	44	24
906	T-5 Bulb ⅝"	44	21
908	T-5 Bulb ⅝"	44	8
909	T-5 Bulb ⅝"	44	4
912	T-5 Bulb ⅝"	44	15
914	T-5 Bulb ⅝"	44	1
915	T-5 Bulb ⅝"	44	11
916	T-5 Bulb ⅝"	44	23
916NA	T-5 Bulb ⅝"	44	22
917	T-5 Bulb ⅝"	44	10
918	T-5 Bulb ⅝"	44	12
921	T-5 Bulb ⅝"	44	18
921K	T-5 Bulb ⅝"	44	19
921LL	T-5 Bulb ⅝"	44	20

LAMP NO.	BULB TYPE	PAGE NO.	LINE NO.
Miniature Lamps (Continued)			
922	T-5 Bulb 5/8"	44	17
923	T-5 Bulb 5/8"	44	16
926	T-5 Bulb 5/8"	44	2
927	T-5 Bulb 5/8"	44	7
936	T-2 1/4 Bulb 9/32"	35	9
939	T-5 Bulb 5/8"	44	6
960	T-5 Bulb 5/8"	44	9
961	T-5 Bulb 5/8"	44	5
962	T-5 Bulb 5/8"	44	3
1000	RP-11 1 3/8"	30	3
1003	B-6 Bulb 3/4"	24	26
1003K	B-6 Bulb 3/4"	24	27
1003LL	B-6 Bulb 3/4"	25	1
1004	B-6 Bulb 3/4"	25	2
1005	S-8 Bulb 1"	31	14
B1007	G-6 Bulb 3/4"	26	16
B1007A	G-6 Bulb 3/4"	26	17
1016	S-8 Bulb 1"	31	15
1021	RP-11 1 3/8"	29	15
1022	RP-11 1 3/8"	30	4
1026	RP-11 1 3/8"	30	10
1034	S-8 Bulb 1"	32	7
1034A	S-8 Bulb 1"	31	12
1034NA	S-8 Bulb 1"	31	16
1044	RP-11 1 3/8"	30	18
1047	RP-11 1 3/8"	30	21
1062	RP-11 1 3/8"	30	22
1073	S-8 Bulb 1"	32	8
1074	RP-11 1 3/8"	30	19
1076	S-8 Bulb 1"	32	9
1093	S-8 Bulb 1"	31	11
1095	S-8 Bulb 1"	32	24
1124	RP-11 1 3/8"	30	11
1129	S-8 Bulb 1"	30	26
1130	S-8 Bulb 1"	30	27
1133	RP-11 1 3/8"	30	5
1134	RP-11 1 3/8"	30	6
1141	S-8 Bulb 1"	31	17
1141LL	S-8 Bulb 1"	31	18
1142	S-8 Bulb 1"	31	19
1143	RP-11 1 3/8"	30	12
1144	RP-11 1 3/8"	30	13
1145	RP-11 1 3/8"	30	20
1154	S-8 Bulb 1"	30	28
1155	G-6 Bulb 3/4"	26	26
1156	S-8 Bulb 1"	32	10
1156DC	S-8 Bulb 1"	32	11
1156LL	S-8 Bulb 1"	32	12
1156NA	S-8 Bulb 1"	31	23
1157	S-8 Bulb 1"	32	13
1157A	S-8 Bulb 1"	31	13
1157LL	S-8 Bulb 1"	32	14
1157NA	S-8 Bulb 1"	31	24
1157NALL	S-8 Bulb 1"	31	25
1158	S-8 Bulb 1"	30	29
1159	S-8 Bulb 1"	31	20
1168	S-8 Bulb 1"	31	22
1170	S-8 Bulb 1"	30	30
1176	S-8 Bulb 1"	31	21
1178	G-6 Bulb 3/4"	26	27

LAMP NO.	BULB TYPE	PAGE NO.	LINE NO.
Miniature Lamps (Continued)			
1183	RP-11 1 3/8"	29	16
1184	RP-11 1 3/8"	29	17
1195	RP-11 1 3/8"	30	14
1196	RP-11 1 3/8"	30	15
1203	S-8 Bulb 1"	33	10
1204	S-8 Bulb 1"	33	11
1209	RP-11 1 3/8"	30	2
1210/H1	T-2 1/2 Bulb 5/16"	35	14
1210/H2	T-3 Bulb 3/8"	36	3
1210/H3	T-3 1/4 Bulb 1 3/32"	37	18
1210/H4	T-4 5/8 Bulb 37/64"	42	17
1213/H1	T-2 1/2 Bulb 5/16"	35	15
1213/H2	T-3 Bulb 3/8"	36	4
1213/H3	T-3 1/4 Bulb 1 3/32"	37	19
1213/H4	T-4 5/8 Bulb 37/64"	42	18
1224	G-6 Bulb 3/4"	27	6
1235/H3	T-3 1/4 Bulb 1 3/32"	37	14
1251	G-6 Bulb 3/4"	26	29
1252	G-6 Bulb 3/4"	27	1
1255/H1	T-2 1/2 Bulb 5/16"	35	12
1255/H11	T-4 5/8 Bulb 37/64"	42	9
1255/H1LL	T-2 1/2 Bulb 5/16"	35	13
1255/H2	T-3 Bulb 3/8"	36	2
1255/H3	T-3 1/4 Bulb 1 3/32"	37	17
1255/H3A	T-3 1/4 Bulb 1 3/32"	37	15
1255/H3C	T-3 1/4 Bulb 1 3/32"	37	16
1255/H7	T-4 5/8 Bulb 37/64"	42	7
1255/H7LL	T-4 5/8 Bulb 37/64"	42	8
1260/H4	T-4 5/8 Bulb 37/64"	42	15
1260/H4BL	T-4 5/8 Bulb 37/64"	42	16
1265/H9	T-4 5/8 Bulb 37/64"	42	10
1295	S-8 Bulb 1"	31	8
1295NA	S-8 Bulb 1"	31	7
1308	B-6 Bulb 3/4"	25	6
1309	B-6 Bulb 3/4"	25	5
1321	RP-11 1 3/8"	30	7
1323	RP-11 1 3/8"	30	8
1327	RP-11 1 3/8"	30	17
1408	T-3 1/4 Bulb 1 3/32"	37	7
1416	T-4 1/2 Bulb 9/16"	42	4
1445	G-3 1/2 Bulb 7/16"	25	20
1446	G-3 1/2 Bulb 7/16"	25	16
1447	G-3 1/2 Bulb 7/16"	25	25
1449	G-3 1/2 Bulb 7/16"	25	18
1450	G-3 1/2 Bulb 7/16"	25	26
1477	T-3 Bulb 3/8"	36	16
1487	T-3 1/4 Bulb 1 3/32"	38	23
1492	S-8 Bulb 1"	30	23
1493	S-8 Bulb 1"	30	32
1501	RP-11 1 3/8"	29	19
1503	RP-11 1 3/8"	30	1
1507	RP-11 1 3/8"	30	16
1591	S-8 Bulb 1"	33	5
1605	S-8 Bulb 1"	30	31
1630	S-8 Bulb 1"	30	33
1638	S-8 Bulb 1"	33	14
1651	S-8 Bulb 1"	30	24
1662	S-8 Bulb 1"	33	15
1665	S-8 Bulb 1"	33	12
1665IF	S-8 Bulb 1"	33	1

LAMP NO.	BULB TYPE	PAGE NO.	LINE NO.
Miniature Lamps (Continued)			
1680	S-8 Bulb 1"	30	25
1683	S-8 Bulb 1"	33	16
1691	S-8 Bulb 1"	33	6
1691IF	S-8 Bulb 1"	33	2
1692	S-8 Bulb 1"	33	7
1748	T-1¼ Bulb 7/32"	33	24
1748S	T-1¼ Bulb 7/32"	33	25
EN1748	T-1¼ Bulb 7/32"	33	26
EN1748S	T-1¼ Bulb 7/32"	33	27
1789	T-3¼ Bulb 13/32"	39	18
1809	T-3¼ Bulb 13/32"	36	20
1813	T-3¼ Bulb 13/32"	40	2
1815	T-3¼ Bulb 13/32"	38	24
1816	T-3¼ Bulb 13/32"	38	15
1818	T-3¼ Bulb 13/32"	40	5
1819	T-3¼ Bulb 13/32"	40	9
1820	T-3¼ Bulb 13/32"	40	15
1822	T-3¼ Bulb 13/32"	40	21
1828	T-3¼ Bulb 13/32"	40	22
1829	T-3¼ Bulb 13/32"	40	14
1835	T-3¼ Bulb 13/32"	40	23
1847	T-3¼ Bulb 13/32"	36	27
1850	T-3¼ Bulb 13/32"	36	24
1864	T-3¼ Bulb 13/32"	40	18
1873	T-3¼ Bulb 13/32"	40	19
1889	T-3¼ Bulb 13/32"	39	19
1891	T-3¼ Bulb 13/32"	39	20
1892	T-3¼ Bulb 13/32"	40	1
1893	T-3¼ Bulb 13/32"	39	21
1895	G-4½ Bulb 9/16"	26	10
1992	T-3¼ Bulb 13/32"	39	31
2033	T-2¼ Bulb 9/32"	35	5
2040	T-2¼ Bulb 9/32"	35	2
2057	S-8 Bulb 1"	32	15
2057LL	S-8 Bulb 1"	32	16
2057NA	S-8 Bulb 1"	32	1
2057NALL	S-8 Bulb 1"	32	2
2112	T-1¼ Bulb 7/32"	34	5
2144	S-8 Bulb 1"	32	17
2162	T-1¼ Bulb 7/32"	34	23
2173	T-3¼ Bulb 13/32"	39	1
2181	T-1¼ Bulb 7/32"	34	4
2242	S-8 Bulb 1"	32	18
2286	T-3¼ Bulb 13/32"	39	22
2305RA	T-1¼ Bulb 7/32"	33	28
2309	T-1¼ Bulb 7/32"	34	8
2329	T-1¼ Bulb 7/32"	34	40
2330	RP-11 1 3/8"	30	9
2331	RP-11 1 3/8"	29	18
2357	S-8 Bulb 1"	32	20
2357LL	S-8 Bulb 1"	32	21
2357NA	S-8 Bulb 1"	32	4
2396	S-8 Bulb 1"	32	22
2397	S-8 Bulb 1"	32	23
2470/H1	T-2½ Bulb 5/16"	35	16
2470/H2	T-3 Bulb 3/8"	36	17
2470/H3	T-3¼ Bulb 13/32"	40	8
2475/H4	T-4 5/8 Bulb 37/64"	43	10
2723	T-1¼ Bulb 7/32"	34	14
2827NA	T-3¼ Bulb 13/32"	37	12

LAMP NO.	BULB TYPE	PAGE NO.	LINE NO.
Miniature Lamps (Continued)			
3057	GT-8 Bulb 1"	28	8
3057K	GT-8 Bulb 1"	28	9
3057LL	GT-8 Bulb 1"	28	10
3057NA	GT-8 Bulb 1"	27	11
3057NAK	GT-8 Bulb 1"	27	12
3057NALL	GT-8 Bulb 1"	27	13
3155	GT-8 Bulb 1"	27	10
3156	GT-8 Bulb 1"	28	11
3156K	GT-8 Bulb 1"	28	12
3156LL	GT-8 Bulb 1"	28	13
3156NA	GT-8 Bulb 1"	27	14
3157	GT-8 Bulb 1"	28	14
3157-SA	S-8 Bulb 1"	32	19
3157K	GT-8 Bulb 1"	28	15
3157LL	GT-8 Bulb 1"	28	16
3157NA	GT-8 Bulb 1"	27	15
3157NA-SA	S-8 Bulb 1"	32	3
3157NAK	GT-8 Bulb 1"	27	16
3157NALL	GT-8 Bulb 1"	27	17
3357	GT-8 Bulb 1"	29	7
3357K	GT-8 Bulb 1"	29	8
3357LL	GT-8 Bulb 1"	29	9
3357NA	GT-8 Bulb 1"	28	2
3357NAK	GT-8 Bulb 1"	28	3
3357NALL	GT-8 Bulb 1"	28	4
3456K	GT-8 Bulb 1"	29	10
3456LL	GT-8 Bulb 1"	29	11
3457	GT-8 Bulb 1"	29	12
3457K	GT-8 Bulb 1"	29	13
3457LL	GT-8 Bulb 1"	29	14
3457NA	GT-8 Bulb 1"	28	5
3457NAK	GT-8 Bulb 1"	28	6
3457NALL	GT-8 Bulb 1"	28	7
3496	T-6 Bulb 3/4"	45	1
3497	T-6 Bulb 3/4"	45	2
3652	T-3¼ Bulb 13/32"	37	10
3757NALL	GT-8 Bulb 1"	27	18
3886LL	T-2¼ Bulb 9/32"	34	41
4057LL	GT-8 Bulb 1"	29	1
4114LL	GT-8 Bulb 1"	29	2
4156K	GT-8 Bulb 1"	29	3
4156LL	GT-8 Bulb 1"	29	4
4157K	GT-8 Bulb 1"	29	5
4157LL	GT-8 Bulb 1"	29	6
4157NAK	GT-8 Bulb 1"	27	19
4157NALL	GT-8 Bulb 1"	28	1
6260A	T-4 5/8 Bulb 37/64"	42	14
6260BA	G-13 Bulb 1 37/64"	27	9
6260S	S-11 Bulb 1 3/8"	33	17
6260SA	B-11 Bulb 1 3/8"	25	7
6451	T-4 5/8 Bulb 37/64"	42	5
6486LL	T-3½ Bulb 7/16"	40	24
7440	T-6 Bulb 3/4"	44	25
7440NA	T-6 Bulb 3/4"	44	26
7443	T-6 Bulb 3/4"	44	27
9003	T-4 5/8 Bulb 37/64"	42	11
9003BL	T-4 5/8 Bulb 37/64"	42	13
9003TV	T-4 5/8 Bulb 37/64"	42	12
9004	T-4 5/8 Bulb 37/64"	43	1
9004BL	T-4 5/8 Bulb 37/64"	43	4

LAMP NO.	BULB TYPE	PAGE NO.	LINE NO.
Miniature Lamps (Continued)			
9004HD	T-4 ⁵ / ₈ Bulb ³ / ₆₄ "	43	3
9004TV	T-4 ⁵ / ₈ Bulb ³ / ₆₄ "	43	2
9005	T-4 Bulb ¹ / ₂ "	41	9
9005BL	T-4 Bulb ¹ / ₂ "	41	12
9005TV	T-4 Bulb ¹ / ₂ "	41	10
9005XS	T-4 Bulb ¹ / ₂ "	41	11
9006	T-4 Bulb ¹ / ₂ "	41	1
9006BL	T-4 Bulb ¹ / ₂ "	41	4
9006TV	T-4 Bulb ¹ / ₂ "	41	2
9006XS	T-4 Bulb ¹ / ₂ "	41	3
9007	T-4 ⁵ / ₈ Bulb ³ / ₆₄ "	43	5
9007BL	T-4 ⁵ / ₈ Bulb ³ / ₆₄ "	43	7
9007TV	T-4 ⁵ / ₈ Bulb ³ / ₆₄ "	43	6
9008/H13	T-4 ⁵ / ₈ Bulb ³ / ₆₄ "	43	8
9011	T-4 Bulb ¹ / ₂ "	41	13
9040	T-4 Bulb ¹ / ₂ "	40	25
9045	T-4 Bulb ¹ / ₂ "	40	29
9055	T-4 Bulb ¹ / ₂ "	40	31
9140	T-4 Bulb ¹ / ₂ "	40	26
9145(H10)	T-4 Bulb ¹ / ₂ "	40	30
9155	T-4 Bulb ¹ / ₂ "	40	32
11004	T-4 Bulb ¹ / ₂ "	42	2
11005	T-4 Bulb ¹ / ₂ "	42	1
11006	T-2 ¹ / ₄ Bulb ⁹ / ₃₂ "	35	8
11009	T-1 ³ / ₄ Bulb ⁷ / ₃₂ "	34	28
12100	T-3 ¹ / ₄ Bulb ¹³ / ₃₂ "	38	16
13050	T-2 ¹ / ₄ Bulb ⁹ / ₃₂ "	35	4
17035	T-1 ³ / ₄ Bulb ⁷ / ₃₂ "	34	11
17036	T-1 ³ / ₄ Bulb ⁷ / ₃₂ "	34	12
17037	T-1 ³ / ₄ Bulb ⁷ / ₃₂ "	34	13
17040	T-1 ³ / ₄ Bulb ⁷ / ₃₂ "	34	31
17053	T-2 ³ / ₄ Bulb ¹¹ / ₃₂ "	35	17
17061	T-1 ³ / ₄ Bulb ⁷ / ₃₂ "	34	32
17063	T-2 ³ / ₄ Bulb ¹¹ / ₃₂ "	35	25
17097	T-3 ¹ / ₄ Bulb ¹³ / ₃₂ "	37	8
17104	T-2 ¹ / ₄ Bulb ⁹ / ₃₂ "	35	10
17109	T-3 ¹ / ₄ Bulb ¹³ / ₃₂ "	40	4
17131	T-2 ³ / ₄ Bulb ¹¹ / ₃₂ "	35	18
17136	T-4 Bulb ¹ / ₂ "	42	3
17141	T-2 ³ / ₄ Bulb ¹¹ / ₃₂ "	35	26
17171	B-6 Bulb ³ / ₄ "	24	22
17177	T-3 ¹ / ₄ Bulb ¹³ / ₃₂ "	37	9
17181	B-6 Bulb ³ / ₄ "	25	3
17197	T-3 ¹ / ₄ Bulb ¹³ / ₃₂ "	40	6
17311	B-6 Bulb ³ / ₄ "	24	23
17314	T-3 ¹ / ₄ Bulb ¹³ / ₃₂ "	37	13
17326	B-6 Bulb ³ / ₄ "	25	4
17327	T-3 ¹ / ₄ Bulb ¹³ / ₃₂ "	40	7
17522	T-4 ⁵ / ₈ Bulb ³ / ₆₄ "	43	9
17634	T-4 ⁵ / ₈ Bulb ³ / ₆₄ "	42	6
17635	S-8 Bulb 1"	31	5
17638NA	S-8 Bulb 1"	31	6
17643	S-8 Bulb 1"	32	26
17833	T-2 ¹ / ₂ Bulb ⁵ / ₁₆ "	35	11
17881	S-8 Bulb 1"	31	3
17916	S-8 Bulb 1"	31	4
17925	S-8 Bulb 1"	32	25
47830	T-2 ³ / ₄ Bulb ¹¹ / ₃₂ "	35	19
47835	T-2 ³ / ₄ Bulb ¹¹ / ₃₂ "	35	21
49211	G-13 Bulb 1 ³ / ₆₄ "	27	7

LAMP NO.	BULB TYPE	PAGE NO.	LINE NO.
Miniature Lamps (Continued)			
49211T	G-13 Bulb 1 ³ / ₆₄ "	27	8
68161	T-2 ³ / ₄ Bulb ¹¹ / ₃₂ "	35	20
68191	T-2 ³ / ₄ Bulb ¹¹ / ₃₂ "	35	22
70711	T-3 ¹ / ₄ Bulb ¹³ / ₃₂ "	37	11
Specialty Miniature Sealed Beams			
EXT	PAR-16 Bulb 2"	49	1
EXZ	PAR-16 Bulb 2"	49	2
Sealed Beam Lamps			
651	PAR-56 Bulb 7"	57	7
652	PAR-36 Bulb 4 ¹ / ₂ "	52	31
4000	PAR-46 Bulb 5 ³ / ₄ "	54	4
4000A	PAR-46 Bulb 5 ³ / ₄ "	53	37
4000R	PAR-46 Bulb 5 ³ / ₄ "	53	33
4001	PAR-46 Bulb 5 ³ / ₄ "	54	9
4001A	PAR-46 Bulb 5 ³ / ₄ "	54	8
4001B	PAR-46 Bulb 5 ³ / ₄ "	53	36
4001R	PAR-46 Bulb 5 ³ / ₄ "	53	35
4002	PAR-46 Bulb 5 ³ / ₄ "	54	5
4002A	PAR-46 Bulb 5 ³ / ₄ "	54	1
4002R	PAR-46 Bulb 5 ³ / ₄ "	53	34
4003	PAR-46 Bulb 5 ³ / ₄ "	54	2
4007	PAR-46 Bulb 5 ³ / ₄ "	55	6
4010	PAR-46 Bulb 5 ³ / ₄ "	53	4
4012	PAR-46 Bulb 5 ³ / ₄ "	53	6
4012A	PAR-46 Bulb 5 ³ / ₄ "	53	5
4013	PAR-46 Bulb 5 ³ / ₄ "	53	8
4014	PAR-36 Bulb 4 ¹ / ₂ "	50	23
4014A	PAR-36 Bulb 4 ¹ / ₂ "	50	22
4014R	PAR-36 Bulb 4 ¹ / ₂ "	50	21
4015	PAR-36 Bulb 4 ¹ / ₂ "	50	20
4015A	PAR-36 Bulb 4 ¹ / ₂ "	50	19
4017	PAR-46 Bulb 5 ³ / ₄ "	52	34
4018	PAR-46 Bulb 5 ³ / ₄ "	53	1
4019	PAR-46 Bulb 5 ³ / ₄ "	53	3
4020	PAR-46 Bulb 5 ³ / ₄ "	53	10
4031	PAR-46 Bulb 5 ³ / ₄ "	53	12
4034A	PAR-46 Bulb 5 ³ / ₄ "	53	15
4036	PAR-46 Bulb 5 ³ / ₄ "	53	7
4037	PAR-46 Bulb 5 ³ / ₄ "	53	17
4040	PAR-46 Bulb 5 ³ / ₄ "	54	6
4044	PAR-36 Bulb 4 ¹ / ₂ "	50	30
4049	PAR-46 Bulb 5 ³ / ₄ "	55	12
4049S	PAR-46 Bulb 5 ³ / ₄ "	55	13
4056	PAR-36 Bulb 4 ¹ / ₂ "	50	27
4057	PAR-36 Bulb 4 ¹ / ₂ "	50	26
4078	PAR-46 Bulb 5 ³ / ₄ "	53	13
4080	PAR-46 Bulb 5 ³ / ₄ "	53	14
4305	PAR-56 Bulb 7"	56	20
4310	PAR-56 Bulb 7"	55	33
4319	PAR-56 Bulb 7"	55	34
4340	PAR-36 Bulb 4 ¹ / ₂ "	52	32
4350	PAR-36 Bulb 4 ¹ / ₂ "	52	30
H4351	Rectangular Bulb 55mm X 135mm	57	9
H4352	Rectangular Bulb 55mm X 135mm	57	10
H4360	Rectangular Bulb 55mm X 135mm	57	8
4402A	PAR-36 Bulb 4 ¹ / ₂ "	52	20
4405	PAR-36 Bulb 4 ¹ / ₂ "	51	6
4406	PAR-36 Bulb 4 ¹ / ₂ "	51	9

LAMP NO.	BULB TYPE	PAGE NO.	LINE NO.
Sealed Beam Lamps (Continued)			
4406-1	PAR-36 Bulb 4½"	51	10
4409	PAR-36 Bulb 4½"	51	11
4409X	PAR-36 Bulb 4½"	51	12
4410	PAR-36 Bulb 4½"	51	13
4411	PAR-36 Bulb 4½"	51	14
4411-1	PAR-36 Bulb 4½"	51	15
4411R	PAR-36 Bulb 4½"	51	16
4412	PAR-46 Bulb 5¾"	53	30
4412A	PAR-46 Bulb 5¾"	53	29
4413	PAR-46 Bulb 5¾"	53	26
4413A	PAR-46 Bulb 5¾"	53	24
4413R	PAR-46 Bulb 5¾"	53	23
4414	PAR-36 Bulb 4½"	50	34
4414-1	PAR-36 Bulb 4½"	50	35
4414A	PAR-36 Bulb 4½"	50	32
4414R	PAR-36 Bulb 4½"	50	31
4415	PAR-36 Bulb 4½"	51	21
4415-1	PAR-36 Bulb 4½"	51	22
4415A	PAR-36 Bulb 4½"	51	20
4416	PAR-36 Bulb 4½"	51	4
4416-1	PAR-36 Bulb 4½"	51	5
4416A	PAR-36 Bulb 4½"	51	3
4416B	PAR-36 Bulb 4½"	50	39
4416R	PAR-36 Bulb 4½"	50	40
4419	PAR-46 Bulb 5¾"	53	27
4420	PAR-46 Bulb 5¾"	53	20
4421	PAR-46 Bulb 5¾"	55	5
4422	PAR-36 Bulb 4½"	51	7
4424	PAR-36 Bulb 4½"	51	8
4425R	PAR-36 Bulb 4½"	51	31
4427	PAR-46 Bulb 5¾"	53	25
4431	PAR-46 Bulb 5¾"	54	13
4433A	PAR-56 Bulb 7"	56	16
4433R	PAR-56 Bulb 7"	56	15
4434A	PAR-46 Bulb 5¾"	54	10
4435	PAR-46 Bulb 5¾"	53	22
4435B	PAR-46 Bulb 5¾"	53	21
4435R	PAR-46 Bulb 5¾"	53	19
4436	PAR-46 Bulb 5¾"	53	32
4439	PAR-46 Bulb 5¾"	53	18
4440	PAR-36 Bulb 4½"	51	27
4443	PAR-36 Bulb 4½"	50	37
4444	PAR-36 Bulb 4½"	50	36
4445	PAR-36 Bulb 4½"	51	19
4449	PAR-36 Bulb 4½"	51	2
4454	PAR-36 Bulb 4½"	52	9
4455A	PAR-36 Bulb 4½"	52	21
4455R	PAR-36 Bulb 4½"	52	19
4456	PAR-36 Bulb 4½"	51	1
4457	PAR-36 Bulb 4½"	51	28
4458	PAR-56 Bulb 7"	56	5
4459	PAR-46 Bulb 5¾"	54	11
4460	PAR-36 Bulb 4½"	51	29
H4460X	PAR-36 Bulb 4½"	51	30
4461	PAR-36 Bulb 4½"	52	6
4464	PAR-36 Bulb 4½"	52	10
4464R	PAR-36 Bulb 4½"	52	7
4466	PAR-36 Bulb 4½"	52	5
4467	PAR-46 Bulb 5¾"	54	18
H4467	PAR-46 Bulb 5¾"	54	19

LAMP NO.	BULB TYPE	PAGE NO.	LINE NO.
Sealed Beam Lamps (Continued)			
4478	PAR-46 Bulb 5¾"	55	3
4480	PAR-46 Bulb 5¾"	55	4
4490A	PAR-46 Bulb 5¾"	55	15
4492	PAR-46 Bulb 5¾"	54	25
4502	PAR-36 Bulb 4½"	52	24
4503	PAR-36 Bulb 4½"	52	17
4505	PAR-36 Bulb 4½"	52	25
4509	PAR-36 Bulb 4½"	52	14
4509S	PAR-36 Bulb 4½"	52	15
4509X	PAR-36 Bulb 4½"	52	16
4510	PAR-36 Bulb 4½"	50	25
4510R	PAR-36 Bulb 4½"	50	24
4511	PAR-36 Bulb 4½"	50	13
4511-1	PAR-36 Bulb 4½"	50	14
4512	PAR-36 Bulb 4½"	50	2
4515	PAR-36 Bulb 4½"	50	28
H4515	PAR-36 Bulb 4½"	50	29
4516	PAR-36 Bulb 4½"	50	18
4516B	PAR-36 Bulb 4½"	50	16
4516R	PAR-36 Bulb 4½"	50	17
4524	PAR-46 Bulb 5¾"	53	2
4531	PAR-46 Bulb 5¾"	53	16
4535	PAR-46 Bulb 5¾"	53	11
4535R	PAR-46 Bulb 5¾"	53	9
4537	PAR-46 Bulb 5¾"	55	7
4537-2	PAR-46 Bulb 5¾"	55	8
4537-3	PAR-46 Bulb 5¾"	55	9
4537-4	PAR-46 Bulb 5¾"	55	10
4537-5	PAR-46 Bulb 5¾"	55	11
4543	PAR-56 Bulb 7"	56	1
4545	PAR-56 Bulb 7"	55	32
4546	PAR-36 Bulb 4½"	50	3
4546-1	PAR-36 Bulb 4½"	50	4
4547	PAR-36 Bulb 4½"	50	5
4551	PAR-46 Bulb 5¾"	55	29
4553	PAR-46 Bulb 5¾"	55	30
4568	PAR-36 Bulb 4½"	50	38
4570	PAR-46 Bulb 5¾"	55	28
4571	PAR-46 Bulb 5¾"	55	27
4572	PAR-46 Bulb 5¾"	55	26
4578	PAR-46 Bulb 5¾"	55	16
H4578	PAR-46 Bulb 5¾"	55	17
4579	PAR-46 Bulb 5¾"	55	21
4579R	PAR-46 Bulb 5¾"	55	20
4589	PAR-36 Bulb 4½"	52	23
4593	PAR-36 Bulb 4½"	52	22
4601	PAR-36 Bulb 4½"	50	15
4603	PAR-36 Bulb 4½"	51	17
4603X	PAR-36 Bulb 4½"	51	18
4606	PAR-46 Bulb 5¾"	52	35
4608A	PAR-46 Bulb 5¾"	52	33
4609A	PAR-36 Bulb 4½"	50	1
4610	PAR-46 Bulb 5¾"	53	28
4633	PAR-46 Bulb 5¾"	55	2
4633A	PAR-46 Bulb 5¾"	55	1
4633R	PAR-46 Bulb 5¾"	54	26
4636	PAR-46 Bulb 5¾"	55	14
4651	Rectangular Bulb 100mm X 165mm	58	14
4651R	Rectangular Bulb 100mm X 165mm	58	10
H4651	Rectangular Bulb 100mm X 165mm	58	15

LAMP NO.	BULB TYPE	PAGE NO.	LINE NO.
Sealed Beam Lamps (Continued)			
H4651A	Rectangular Bulb 100mm X 165mm	58	6
H4651B	Rectangular Bulb 100mm X 165mm	58	7
H4651R	Rectangular Bulb 100mm X 165mm	58	8
H4651TV	Rectangular Bulb 100mm X 165mm	57	21
HP4651	Rectangular Bulb 100mm X 165mm	58	16
4652	Rectangular Bulb 100mm X 165mm	58	2
H4652X	Rectangular Bulb 100mm X 165mm	58	1
H4656	Rectangular Bulb 100mm X 165mm	57	22
H4656BL	Rectangular Bulb 100mm X 165mm	58	3
H4656TV	Rectangular Bulb 100mm X 165mm	58	4
HP4656	Rectangular Bulb 100mm X 165mm	57	23
4675	PAR-36 Bulb 4½"	52	12
4690	PAR-36 Bulb 4½"	52	8
4700	PAR-36 Bulb 4½"	52	13
H4701	Rectangular Bulb 92mm X 150mm	57	20
H4703	Rectangular Bulb 92mm X 150mm	57	19
H4739	Rectangular Bulb 100mm X 165mm	58	5
H4740	Rectangular Bulb 100mm X 165mm	58	17
4750	PAR-36 Bulb 4½"	52	28
4752	PAR-36 Bulb 4½"	52	26
4752R	PAR-36 Bulb 4½"	52	27
4800	PAR-56 Bulb 7"	56	21
4803	PAR-56 Bulb 7"	56	22
4811	PAR-36 Bulb 4½"	52	29
4813	PAR-46 Bulb 5¾"	55	22
H4813	PAR-46 Bulb 5¾"	55	23
4814	PAR-46 Bulb 5¾"	55	24
H4814	PAR-46 Bulb 5¾"	55	25
H4815	PAR-56 Bulb 7"	57	6
4825R	PAR-36 Bulb 4½"	52	18
4860	PAR-56 Bulb 7"	57	4
4860(OR)	PAR-56 Bulb 7"	56	23
4860A	PAR-56 Bulb 7"	57	3
4863(OR)	PAR-56 Bulb 7"	57	2
4863	PAR-56 Bulb 7"	57	5
4863A	PAR-56 Bulb 7"	57	1
4880	PAR-46 Bulb 5¾"	55	18
H4880	PAR-46 Bulb 5¾"	55	19
4912-1	Rectangular Bulb 100mm X 165mm	58	12
4913-1	Rectangular Bulb 100mm X 165mm	58	9
4919-1	Rectangular Bulb 100mm X 165mm	58	11
4921-1	Rectangular Bulb 100mm X 165mm	58	23
5001	PAR-46 Bulb 5¾"	54	20
5001R	PAR-46 Bulb 5¾"	54	15
H5001	PAR-46 Bulb 5¾"	54	22
H5006	PAR-46 Bulb 5¾"	53	31
H5009	PAR-46 Bulb 5¾"	54	12
H5010	PAR-46 Bulb 5¾"	54	21
5712	PAR-46 Bulb 5¾"	54	23
5731	PAR-46 Bulb 5¾"	54	3
6006	PAR-56 Bulb 7"	55	31
6012	PAR-56 Bulb 7"	56	3
6013	PAR-56 Bulb 7"	56	4
6014	PAR-56 Bulb 7"	56	6
6015	PAR-56 Bulb 7"	56	7
6016	PAR-56 Bulb 7"	56	8
H6024	PAR-56 Bulb 7"	56	12
H6024BL	PAR-56 Bulb 7"	56	14
H6024TV	PAR-56 Bulb 7"	56	13
H6026	PAR-56 Bulb 7"	56	9

LAMP NO.	BULB TYPE	PAGE NO.	LINE NO.
Sealed Beam Lamps (Continued)			
6052	Rectangular Bulb 142mm X 200mm	59	1
H6052X	Rectangular Bulb 142mm X 200mm	59	9
6053	Rectangular Bulb 142mm X 200mm	59	2
H6054	Rectangular Bulb 142mm X 200mm	59	5
H6054BL	Rectangular Bulb 142mm X 200mm	59	8
H6054TV	Rectangular Bulb 142mm X 200mm	59	6
HP6054	Rectangular Bulb 142mm X 200mm	59	7
6058	Rectangular Bulb 142mm X 200mm	59	3
H6059	Rectangular Bulb 142mm X 200mm	59	10
H6060	Rectangular Bulb 142mm X 200mm	59	4
H6412	PAR-56 Bulb 7"	56	2
H6545	Rectangular Bulb 100mm X 165mm	58	21
H6545BL	Rectangular Bulb 100mm X 165mm	58	19
H6545TV	Rectangular Bulb 100mm X 165mm	58	20
HP6545	Rectangular Bulb 100mm X 165mm	58	22
7002	PAR-56 Bulb 7"	56	10
7010	PAR-56 Bulb 7"	56	18
7014	PAR-56 Bulb 7"	56	11
7019	PAR-56 Bulb 7"	56	19
7400	PAR-36 Bulb 4½"	51	24
7400R	PAR-36 Bulb 4½"	51	23
7414Y	PAR-36 Bulb 4½"	50	33
7550X	PAR-56 Bulb 7"	56	17
H7550	PAR-36 Bulb 4½"	50	9
H7550-1	PAR-36 Bulb 4½"	50	10
H7553	PAR-36 Bulb 4½"	50	11
H7554	PAR-36 Bulb 4½"	50	12
H7600	PAR-36 Bulb 4½"	51	25
H7604	PAR-36 Bulb 4½"	52	4
H7606	PAR-36 Bulb 4½"	52	1
H7607	PAR-36 Bulb 4½"	52	11
H7609	PAR-46 Bulb 5¾"	54	14
H7610	PAR-36 Bulb 4½"	52	3
H7612	PAR-46 Bulb 5¾"	54	7
7613	PAR-36 Bulb 4½"	50	7
7613-1	PAR-36 Bulb 4½"	50	8
H7614	PAR-36 Bulb 4½"	52	2
H7616	PAR-36 Bulb 4½"	51	26
H7619	PAR-46 Bulb 5¾"	54	16
H7621-1	PAR-46 Bulb 5¾"	54	17
H7635	PAR-46 Bulb 5¾"	54	24
7672	PAR-36 Bulb 4½"	50	6
H7921-1	Rectangular Bulb 100mm X 165mm	58	13
H7935-1	Rectangular Bulb 100mm X 165mm	58	18
H9405	Rectangular Bulb 92mm X 150mm	57	18
H9406	Rectangular Bulb 92mm X 150mm	57	13
H9411	Rectangular Bulb 92mm X 150mm	57	15
H9414	Rectangular Bulb 92mm X 150mm	57	14
H9415	Rectangular Bulb 92mm X 150mm	57	12
H9415A	Rectangular Bulb 92mm X 150mm	57	11
H9420	Rectangular Bulb 92mm X 150mm	57	17
H9421	Rectangular Bulb 92mm X 150mm	57	16
Right Hand Drive Sealed Beam Lamps			
4003	Round Bulb 5¾"	60	1
4652X	Rectangular Bulb 4" X 6"	60	8
5712	Round Bulb 5¾"	60	2
5731	Round Bulb 5¾"	60	3
6052X	Rectangular Bulb 5" X 8"	60	9
H6052X	Rectangular Bulb 5" X 8"	60	10

LAMP NO.	BULB TYPE	PAGE NO.	LINE NO.
Right Hand Drive Sealed Beam Lamps (Cont.)			
7002	Round Bulb 7"	60	4
7010	Round Bulb 7"	60	6
7014	Round Bulb 7"	60	5
7019	Round Bulb 7"	60	7

LAMP NO.	BULB TYPE	PAGE NO.	LINE NO.
----------	-----------	----------	----------

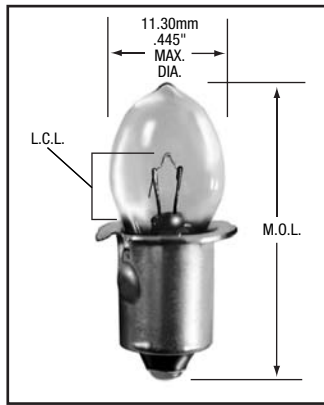


Fig. 1 (C-2R filament shown)

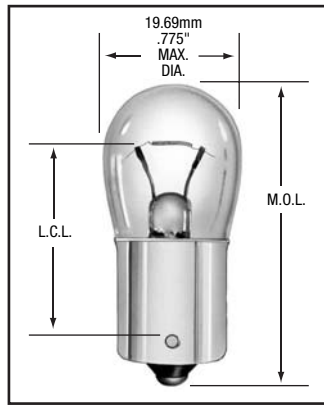


Fig. 2 (C-6 filament shown)

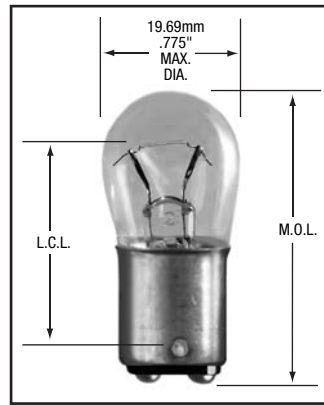


Fig. 3 (C-6 filament shown)

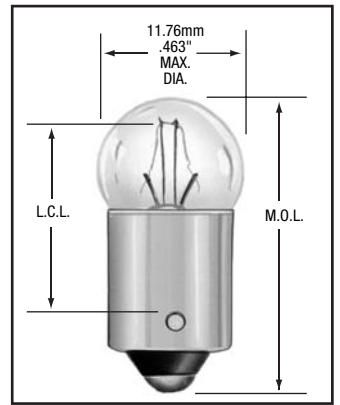


Fig. 4 (C-2F filament shown)

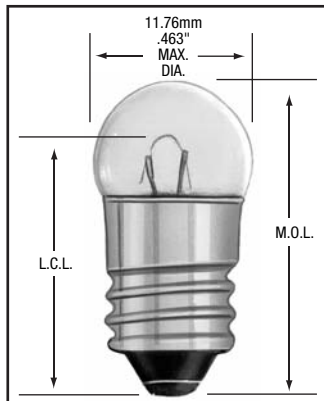


Fig. 5 (C-2V filament shown)

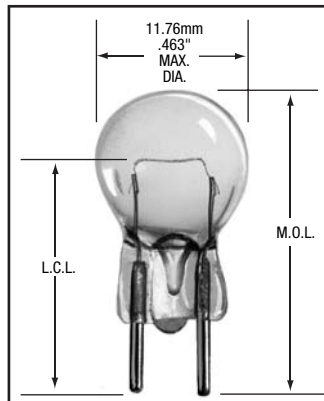


Fig. 6 (C-6 filament shown)

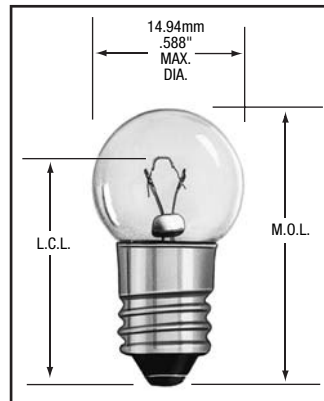


Fig. 7 (C-2R filament shown)

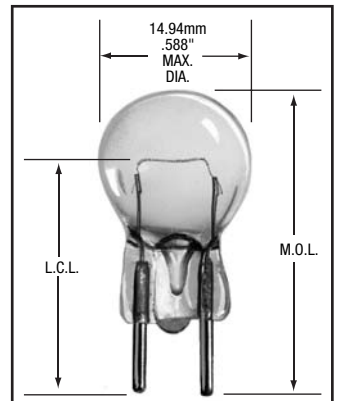


Fig. 8 (C-6 filament shown)

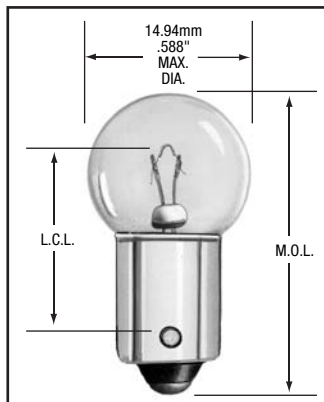


Fig. 9 (C-2V filament shown)

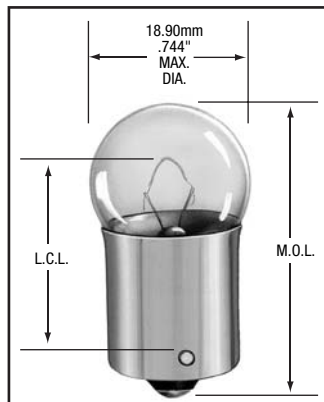


Fig. 10 (C-2R filament shown)

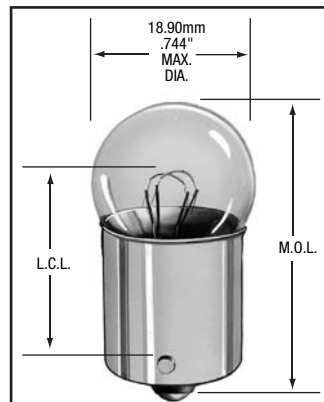


Fig. 11 (2C-2R filament shown)

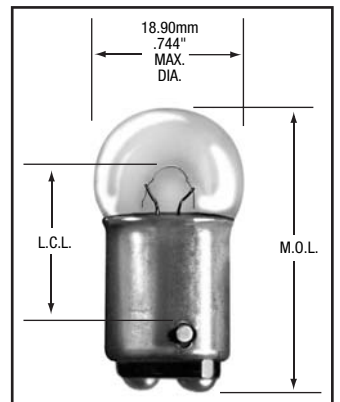


Fig. 12 (C-2R filament shown)

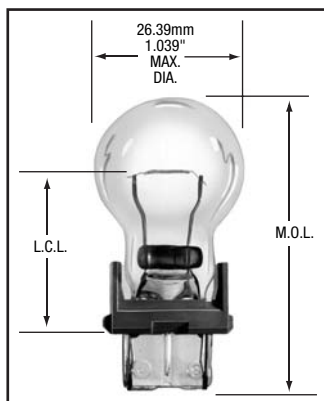


Fig. 13 (C-6 filament shown)

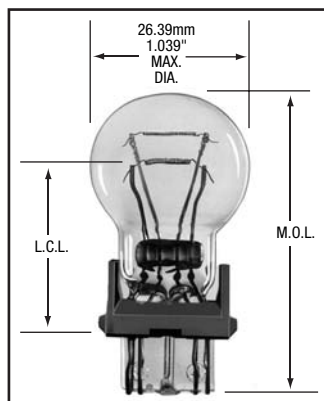


Fig. 14 (C-6/C-6 filament shown)

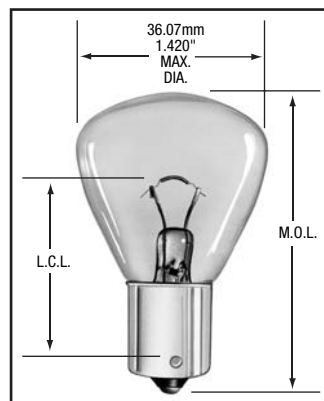


Fig. 15 (C-2R filament shown)

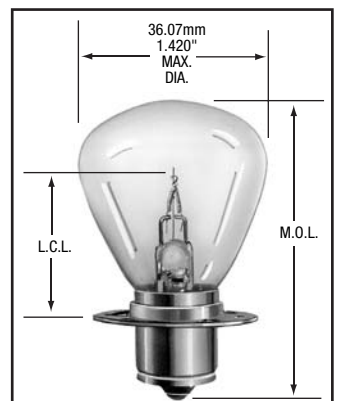


Fig. 16 (C-2V filament shown)

Filament and L.C.L. may vary by part number. For filament identification see chart on page 19. For metric equivalency see chart on page 45.

NOTE: CIM = Construction Industrial Machinery D.C. = Double Contact L.C.L. = Light Center Length M.O.L. = Maximum Overall Length

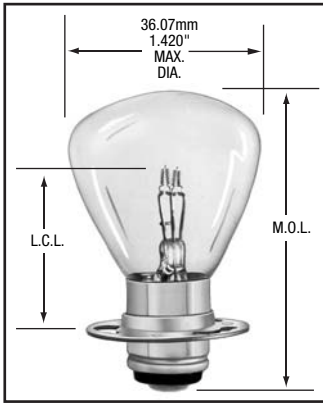


Fig. 17 (C-6/C-6 filament shown)

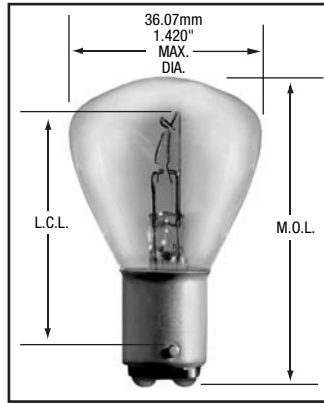


Fig. 18 (C-2V filament shown)

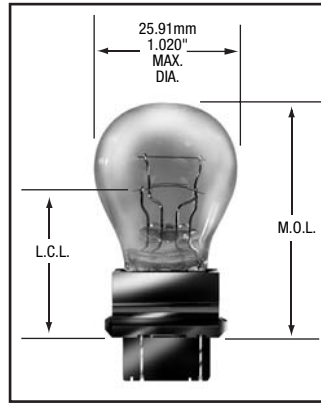


Fig. 19 (C-6/C-6 filament shown)

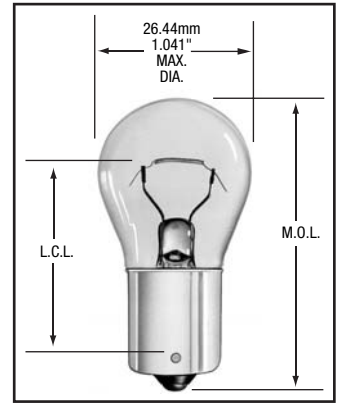


Fig. 20 (C-6 filament shown)

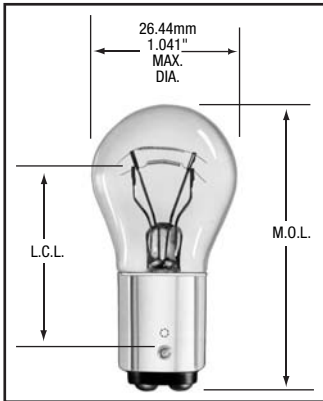


Fig. 21 (C-6/C-6 filament shown)

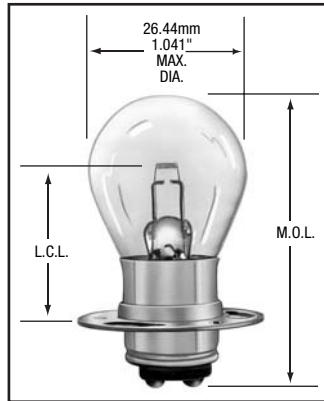


Fig. 22 (C-6 filament shown)

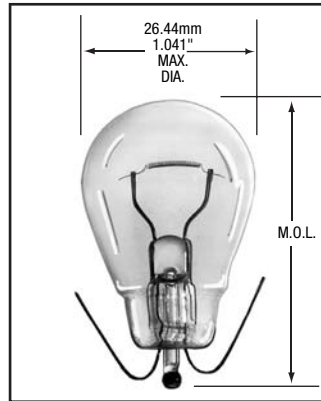


Fig. 23 (C-6 filament shown)

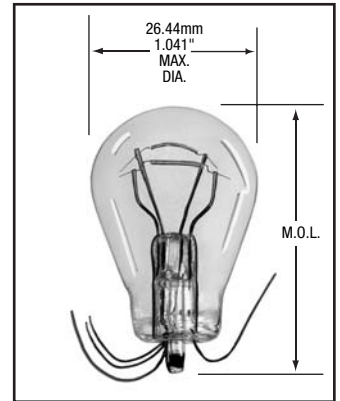


Fig. 24 (C-6/C-6 filament shown)

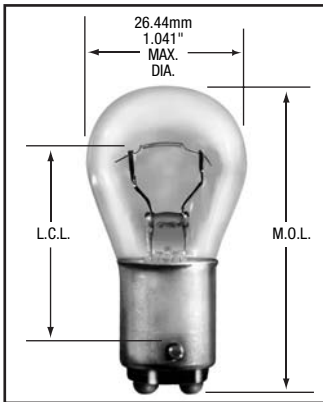


Fig. 25 (C-6 filament shown)

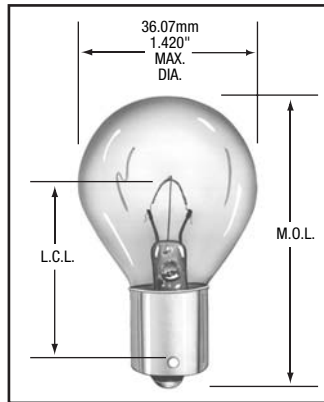


Fig. 26 (C-2V filament shown)

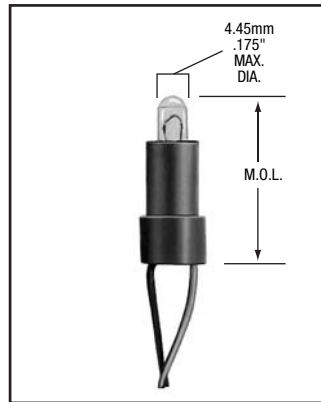


Fig. 27 (C-2R filament shown)

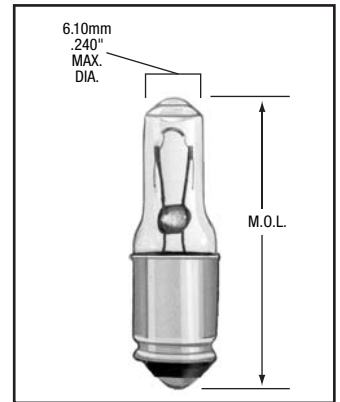


Fig. 28 (C-2R filament shown)

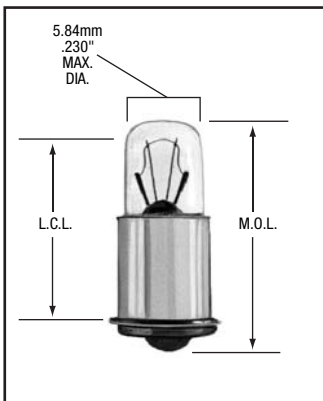


Fig. 29 (C-2F filament shown)

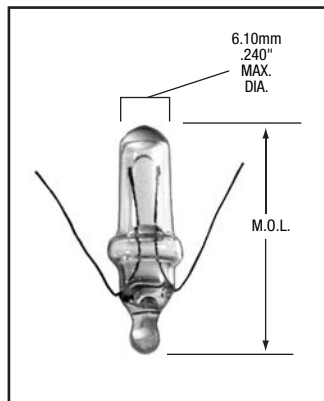


Fig. 30 (C-2R filament shown)

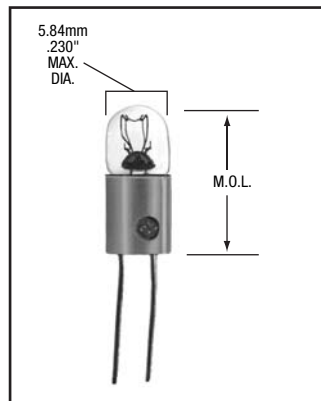


Fig. 31 (C-2V filament shown)

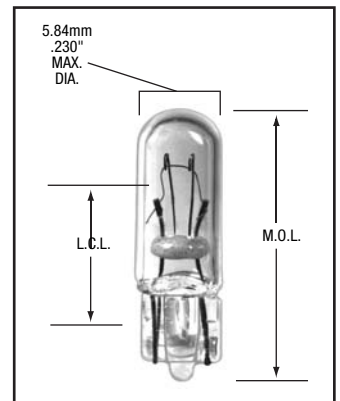


Fig. 32 (C-2F filament shown)

Filament and L.C.L. may vary by part number. For filament identification see chart on page 19. For metric equivalency see chart on page 45.

NOTE: CIM = Construction Industrial Machinery D.C. = Double Contact L.C.L. = Light Center Length M.O.L. = Maximum Overall Length

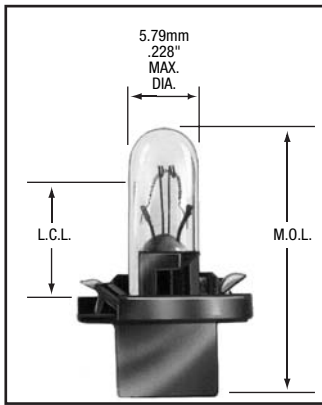


Fig. 33 (C-2F filament shown)

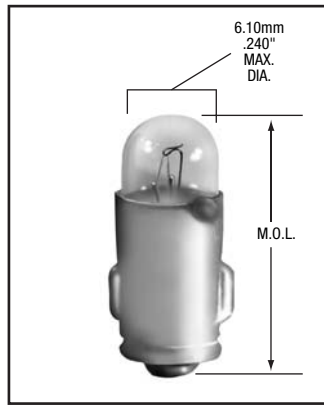


Fig. 34 (C-7A filament shown)

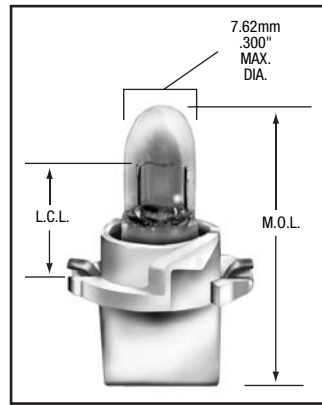


Fig. 35 (C-6 filament shown)

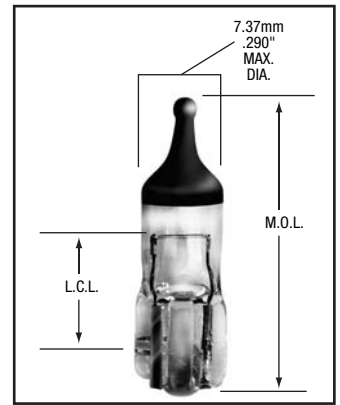


Fig. 36 (C-6 filament shown)

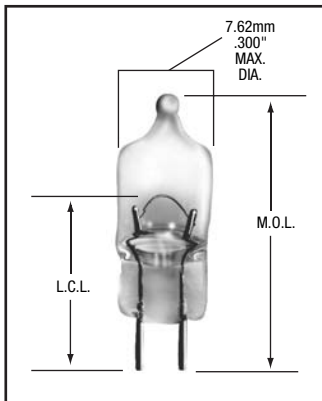


Fig. 37 (C-6 filament shown)

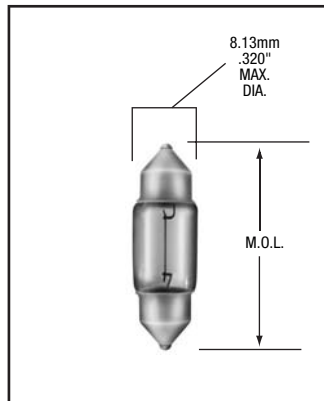


Fig. 38

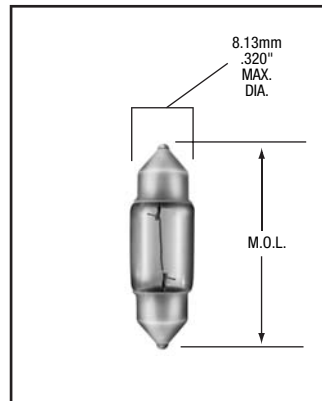


Fig. 39

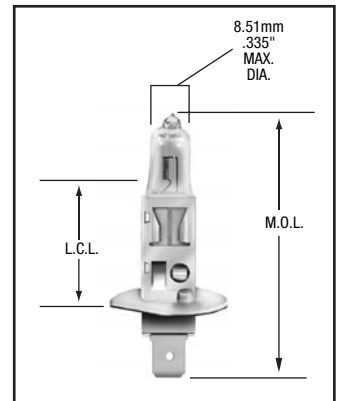


Fig. 40 (C-8 filament shown)

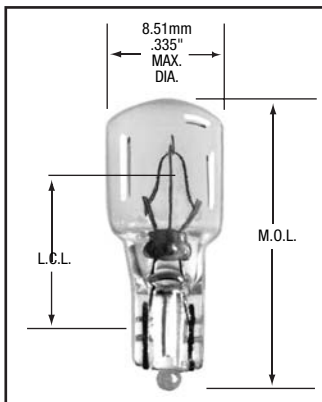


Fig. 41 (C-2V filament shown)

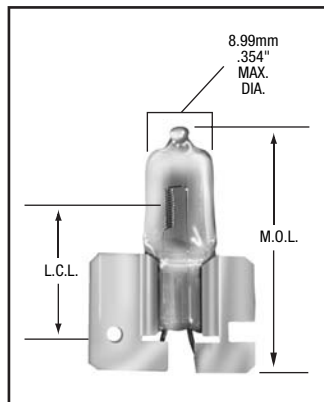


Fig. 42 (C-8 filament shown)

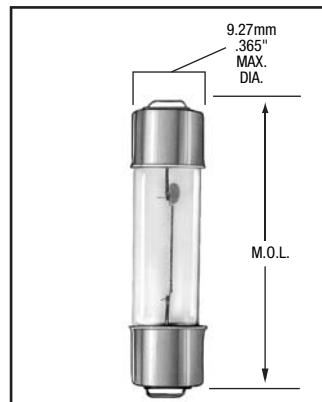


Fig. 43 (C-8 filament shown)

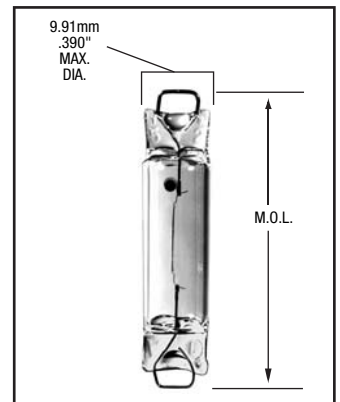


Fig. 44 (C-8 filament shown)

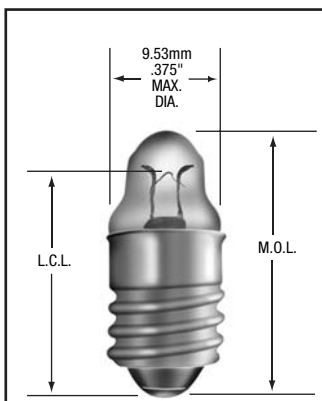


Fig. 45 (C-2R filament shown)

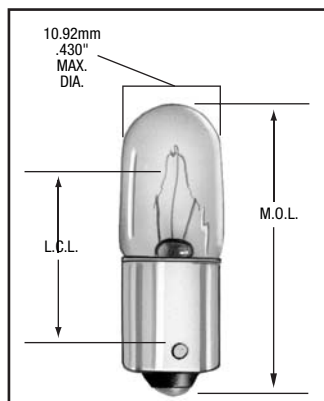


Fig. 46 (C-2V filament shown)

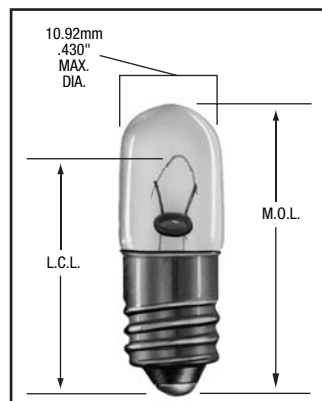


Fig. 47 (C-2R filament shown)

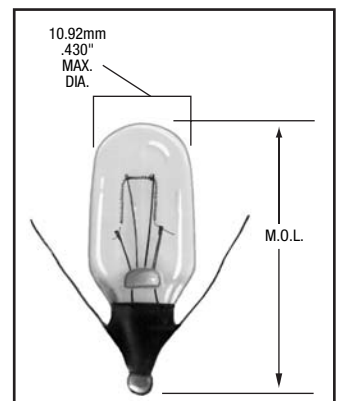


Fig. 48 (C-2F filament shown)

Filament and L.C.L. may vary by part number. For filament identification see chart on page 19. For metric equivalency see chart on page 45.

NOTE: CIM = Construction Industrial Machinery D.C. = Double Contact L.C.L. = Light Center Length M.O.L. = Maximum Overall Length

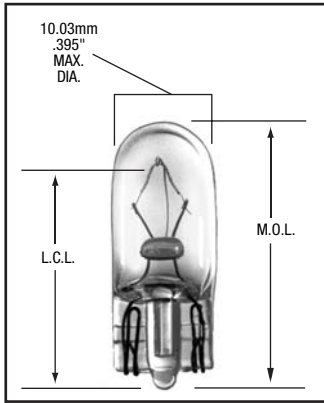


Fig. 49 (C-2V filament shown)

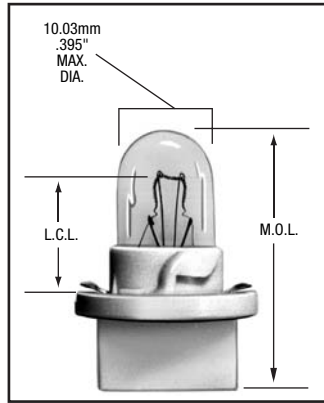


Fig. 50 (C-2F filament shown)

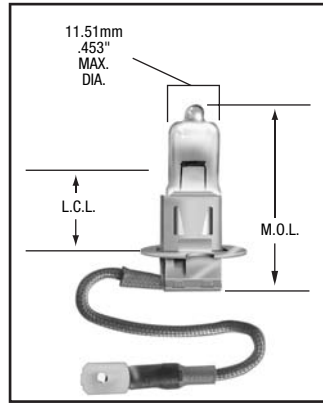


Fig. 51 (C-6 filament shown)

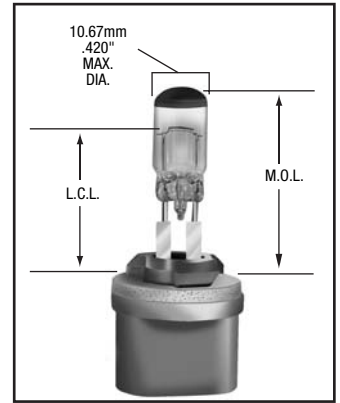


Fig. 52 (C-6 filament shown)

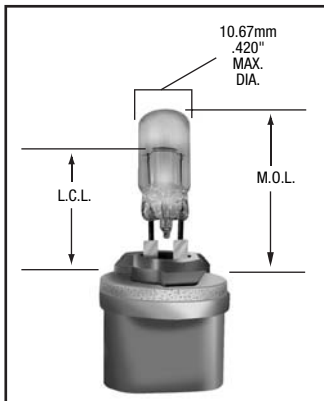


Fig. 53 (C-6 filament shown)

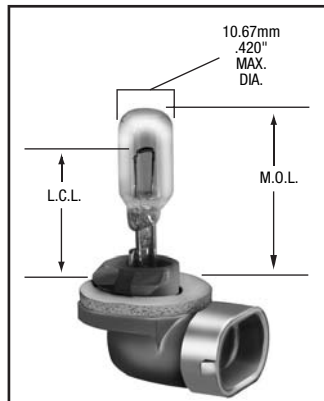


Fig. 54 (C-6 filament shown)

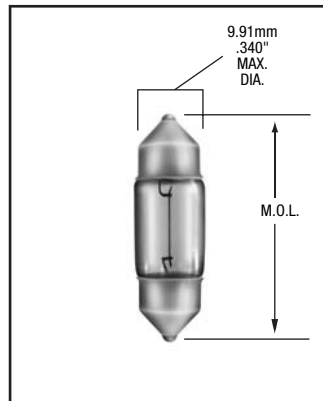


Fig. 55

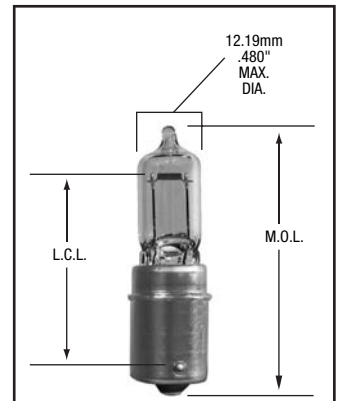


Fig. 56 (C-6 filament shown)

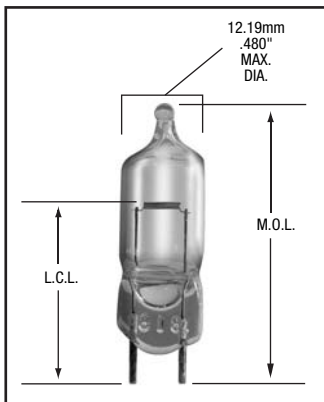


Fig. 57 (C-6 filament shown)

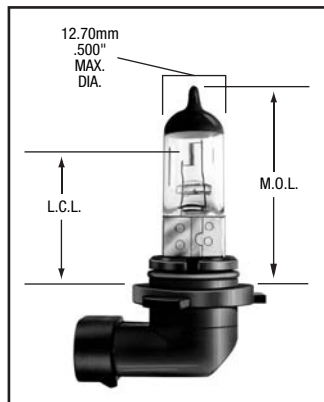


Fig. 58 (C-8 filament shown)

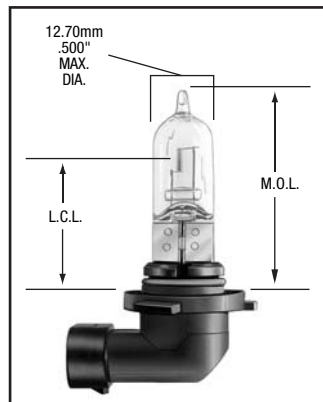


Fig. 59 (C-8 filament shown)

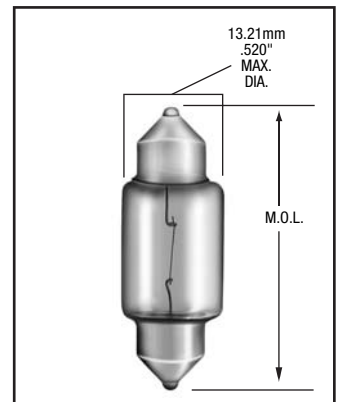


Fig. 60

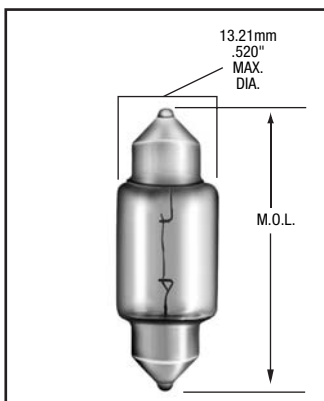


Fig. 61

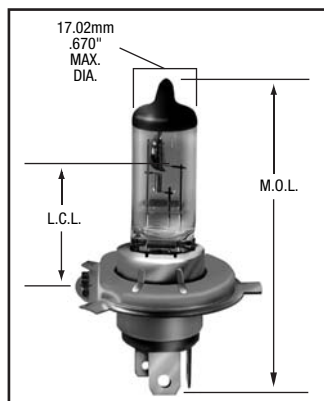


Fig. 62 (C-8/C-8 filament shown)

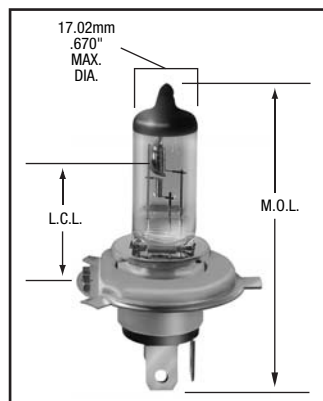


Fig. 63 (C-8/C-8 filament shown)

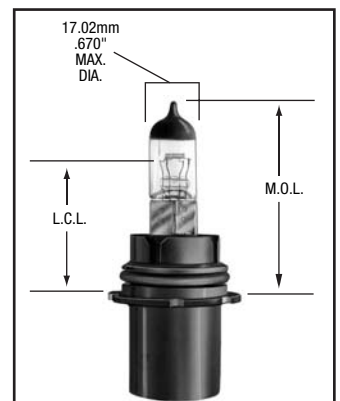


Fig. 64 (C-6/C-6 filament shown)

Filament and L.C.L. may vary by part number. For filament identification see chart on page 19. For metric equivalency see chart on page 45.

NOTE: CIM = Construction Industrial Machinery D.C. = Double Contact L.C.L. = Light Center Length M.O.L. = Maximum Overall Length

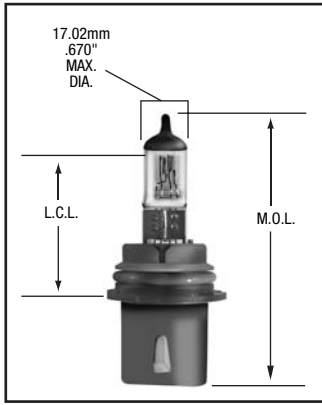


Fig. 65 (C-8/C-8 filament shown)

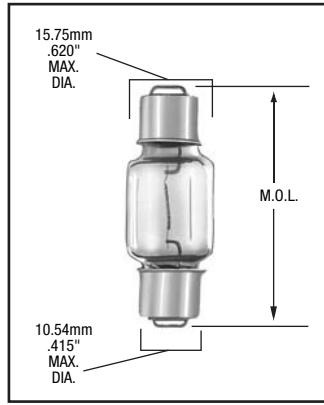


Fig. 66 (C-8 filament shown)

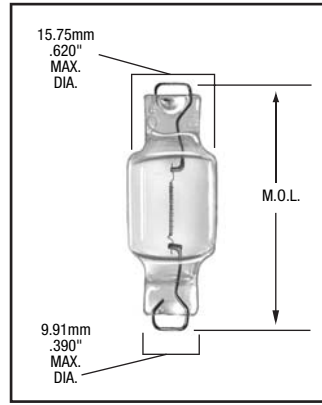


Fig. 67 (C-8 filament shown)

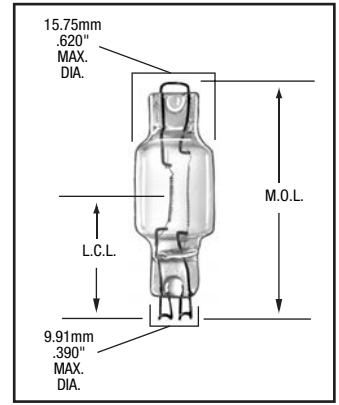


Fig. 68 (C-8/C-8 filament shown)

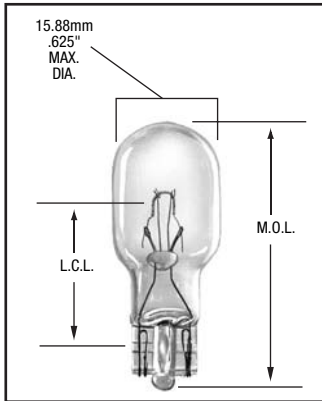


Fig. 69 (C-2F filament shown)

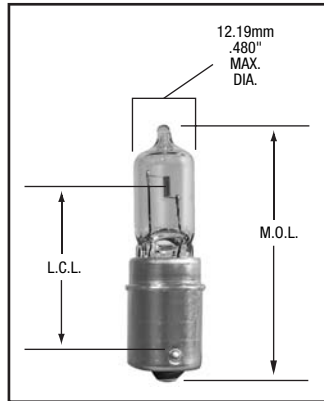


Fig. 70 (C-8 filament shown)

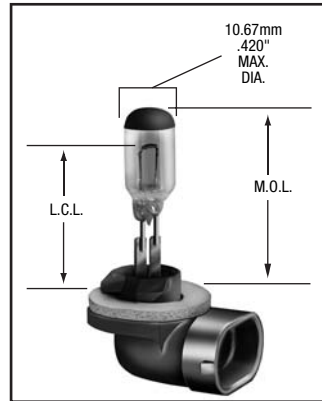


Fig. 71 (C-6 filament shown)

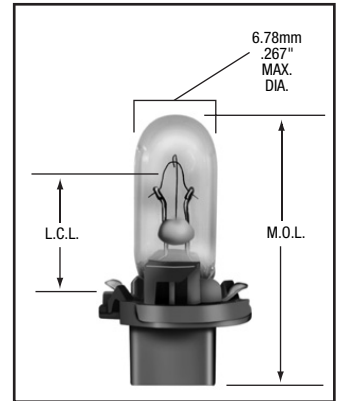


Fig. 72 (C-2V filament shown)

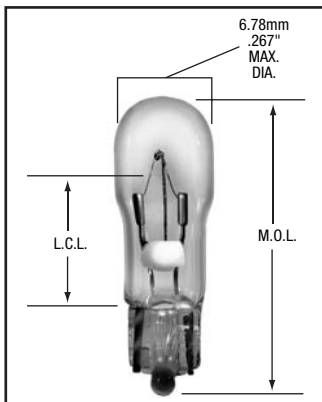


Fig. 73 (C-2V filament shown)

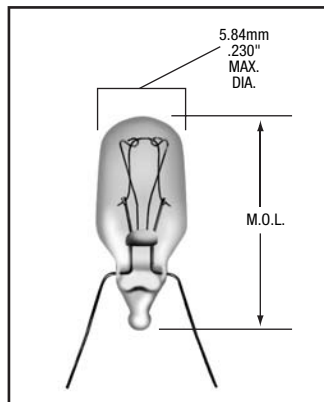


Fig. 74 (C-2F filament shown)

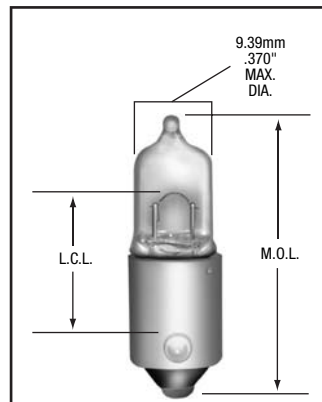


Fig. 75 (C-6 filament shown)

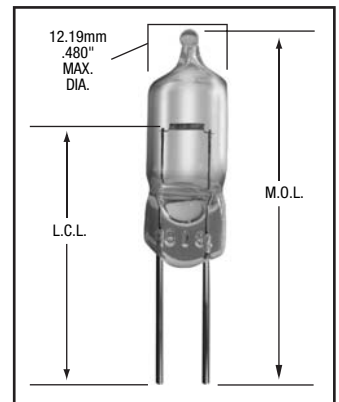


Fig. 76 (C-6 filament shown)

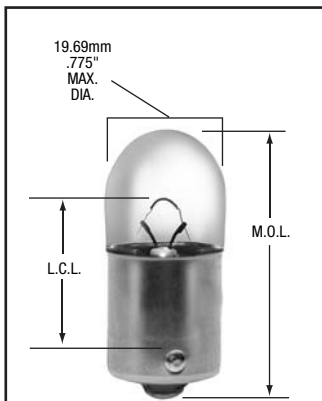


Fig. 80 (C-2R filament shown)

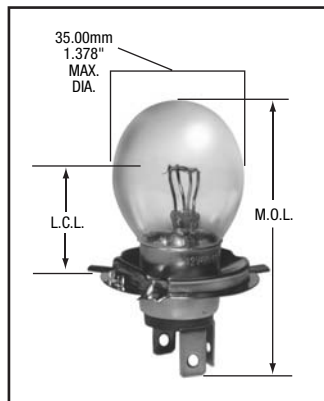


Fig. 81 (C-6/C-6 filament shown)

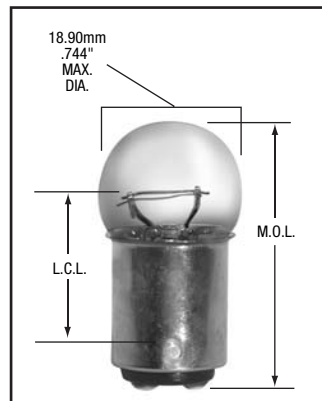


Fig. 82 (C-6/C-6 filament shown)

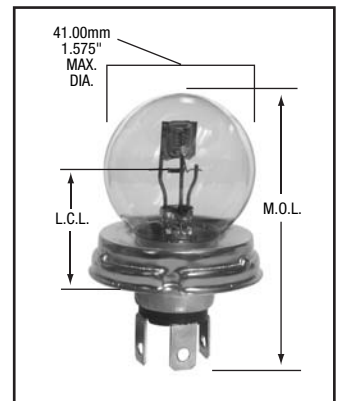


Fig. 83 (C-8/C-2V filament shown)

Filament and L.C.L. may vary by part number. For filament identification see chart on page 19. For metric equivalency see chart on page 45.

NOTE: CIM = Construction Industrial Machinery D.C. = Double Contact L.C.L. = Light Center Length M.O.L. = Maximum Overall Length

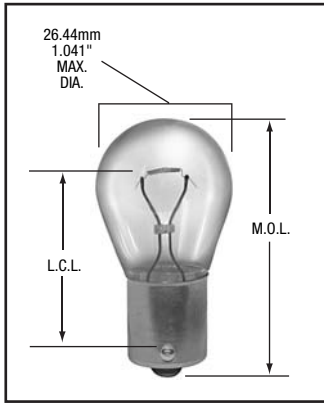


Fig. 84 (C-6 filament shown)

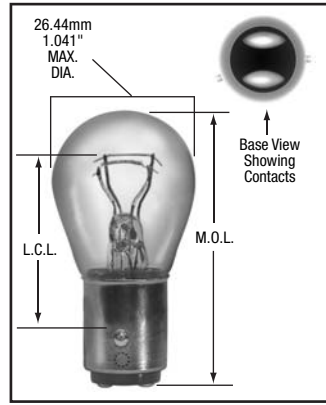


Fig. 85 (C-6/C-6 filament shown)

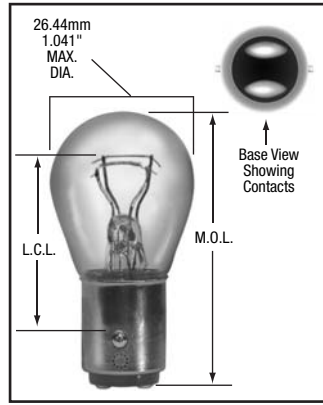


Fig. 86 (C-6/C-6 filament shown)

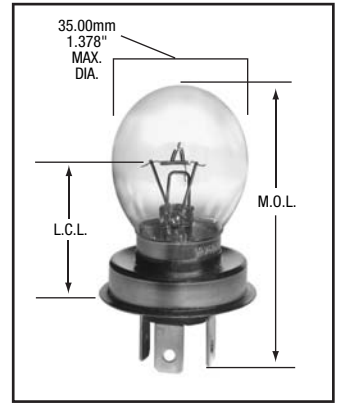


Fig. 87 (C-6/C-2V filament shown)

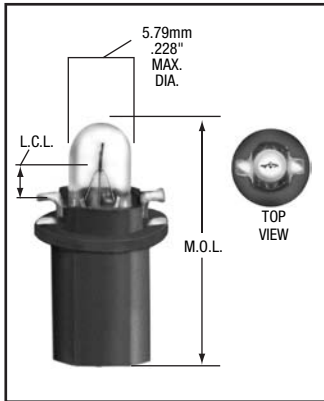


Fig. 88 (C-2V filament shown)

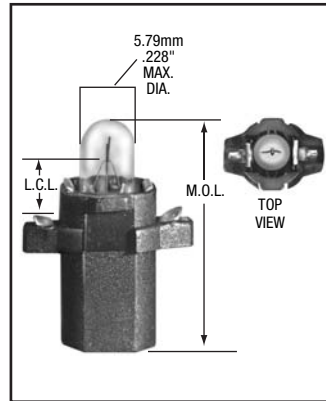


Fig. 89 (C-2V filament shown)

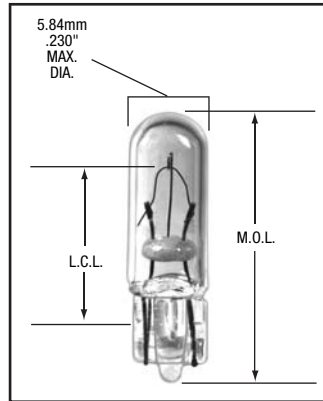


Fig. 90 (C-2V filament shown)

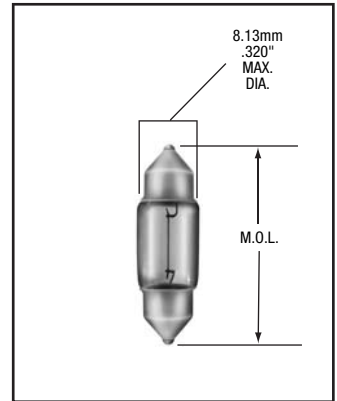


Fig. 91 (C-8 filament shown)

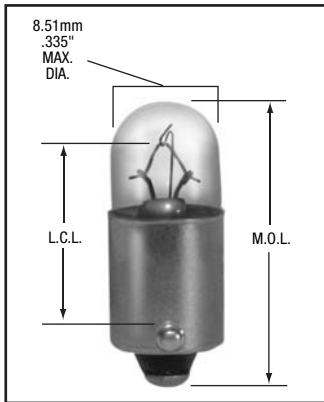


Fig. 92 (C-2V filament shown)

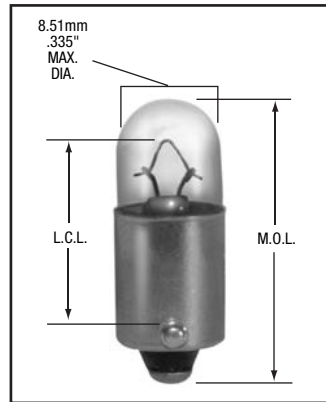


Fig. 93 (C-2R filament shown)

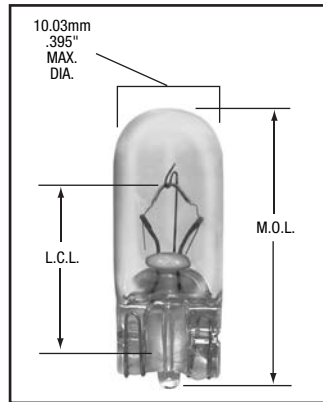


Fig. 94 (C-2V filament shown)

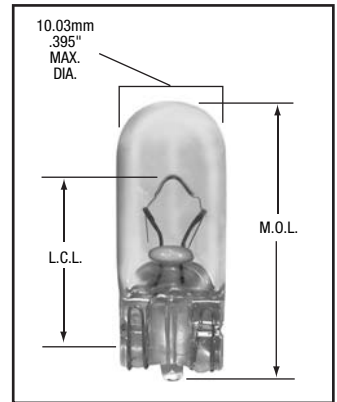


Fig. 95 (C-2R filament shown)

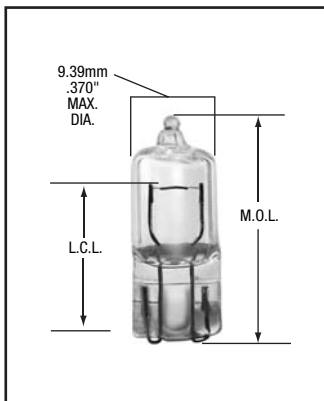


Fig. 96 (C-6 filament shown)

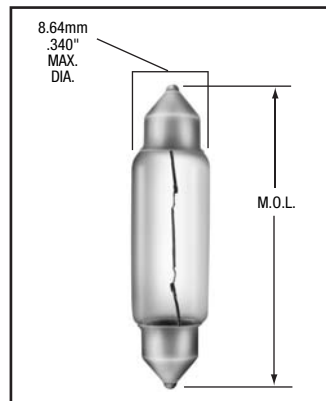


Fig. 97 (C-8 filament shown)

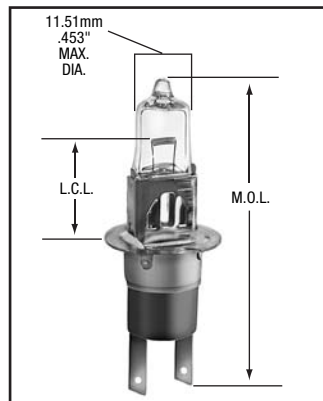


Fig. 98 (C-6 filament shown)

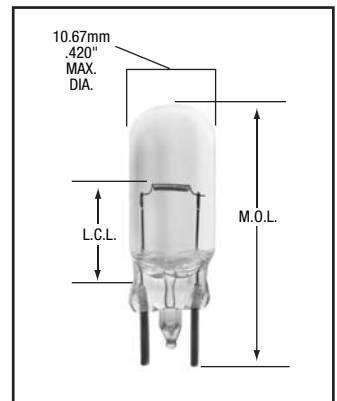


Fig. 99 (C-6 filament shown)

Filament and L.C.L. may vary by part number. For filament identification see chart on page 19. For metric equivalency see chart on page 45.

NOTE: CIM = Construction Industrial Machinery D.C. = Double Contact L.C.L. = Light Center Length M.O.L. = Maximum Overall Length

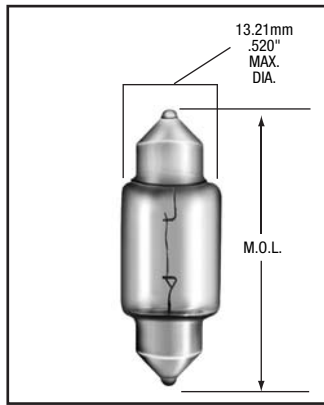


Fig. 100 (C-8 filament shown)

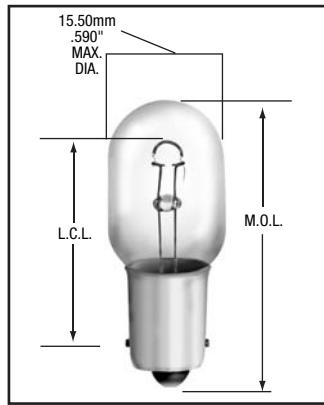


Fig. 101 (C-2R filament shown)

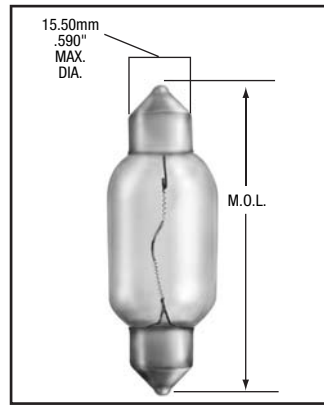


Fig. 102 (C-8 filament shown)

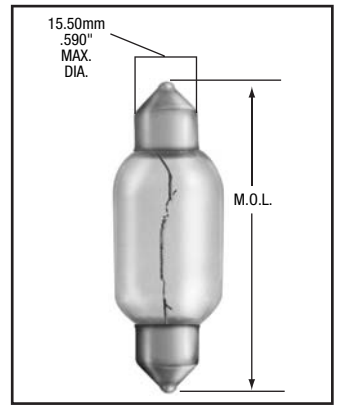


Fig. 103 (C-8 filament shown)

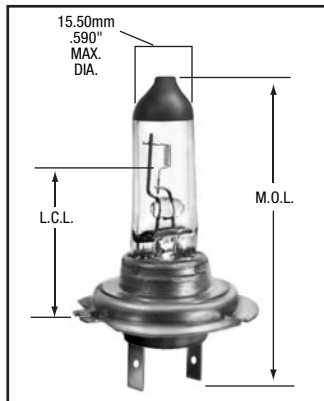


Fig. 104 (C-8 filament shown)

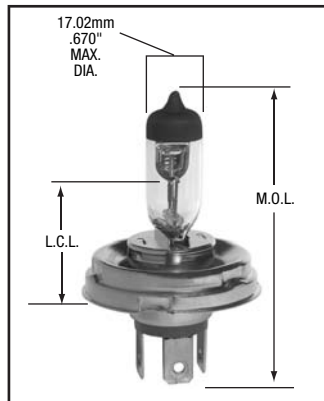


Fig. 105 (C-8/C-8 filament shown)

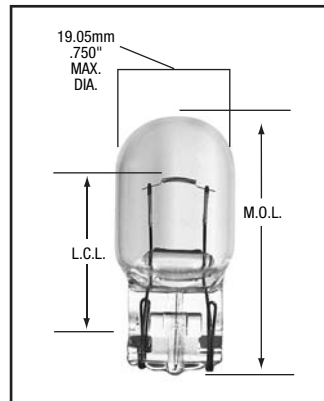


Fig. 106 (C-6 filament shown)

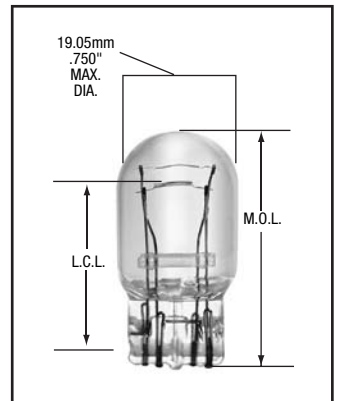


Fig. 107 (C-6/C-6 filament shown)

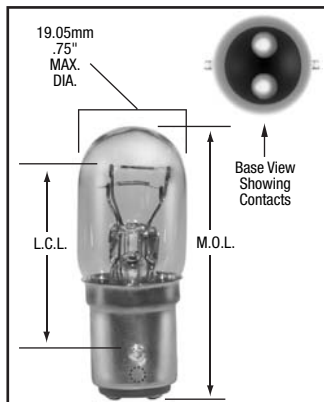


Fig. 108 (C-6/C-6 filament shown)

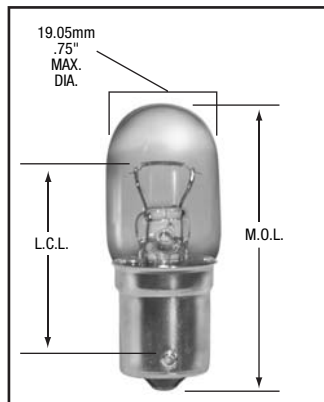


Fig. 109 (C-6 filament shown)

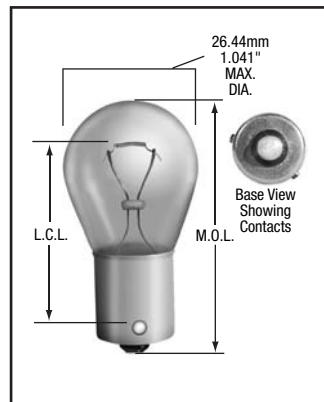


Fig. 110 (C-6 filament shown)

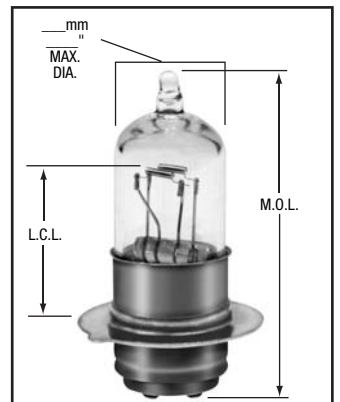


Fig. 111 (C-6/C-6 filament shown)

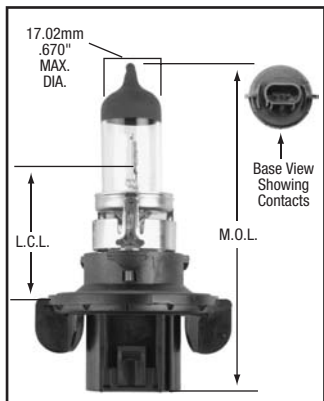


Fig. 112 (C-8/C-8 filament shown)

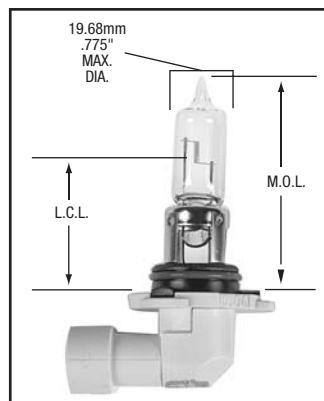


Fig. 113 (C-8 filament shown)

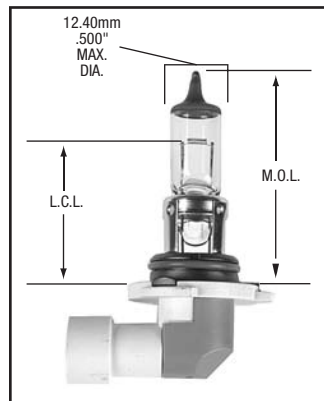


Fig. 114 (C-6 filament shown)

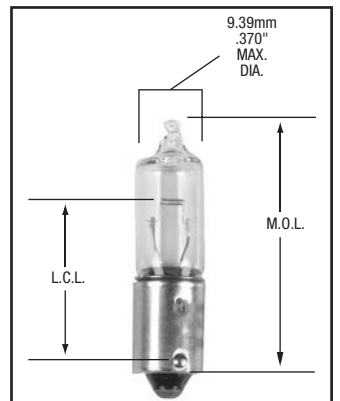


Fig. 115 (C-6 filament shown)

Filament and L.C.L. may vary by part number. For filament identification see chart on page 19. For metric equivalency see chart on page 45.

NOTE: CIM = Construction Industrial Machinery D.C. = Double Contact L.C.L. = Light Center Length M.O.L. = Maximum Overall Length

BULB TRADE NUMBERING

A lamp bulb is described by:

- 1) A letter indicating the shape of the bulb:

B — Blister	R — Reflector
G — Globular	RP — Rounded Parabolic
GT — Globular-Tubular	S — Straight Side
PC — Printed Circuit*	T — Tubular

*PC Bulbs, "PC" meaning printed circuit, are an integral bulb and socket combination. The bulb lead wires and socket terminals are welded together to assure electrical contact and retention. They are designed for instrument cluster applications where lamp-socket interfaces allow disengagement.

- 2) A numerical combination indicating the greatest diameter in eighths of an inch:

S-8: Straight side, 8 "eighths" maximum diameter

T-3 1/4: Tubular, 3 1/4 "eighths" maximum diameter

T-5: Tubular, 5 "eighths" maximum diameter

'ANSI' (American National Standards Institute) trade numbers have no particular meaning other than being assigned for the purpose of keeping the devices separate and distinct from one another.

CANDLEPOWER (AMPS)

Candlepower is the accepted measure of luminous intensity in a miniature lamp. The rating shown is the mean spherical candlepower produced at design voltage. Where the critical factor for normal lamp use is the current drawn, then ampere or watt rating is shown.

Candlepower is increased rapidly with an increase of applied voltage and conversely is reduced rapidly with a reduction of applied voltage. Should a lamp be operated at low voltage to take advantage of increased life, there will be an inevitable loss of candlepower.

LIFE

Rated life is not guaranteed life and does not necessarily represent service life expectancy. Rated life, along with rated amperes at design volts, is a factor establishing the laboratory efficiency of a lamp. It is useful only as an index of comparative longevity of various lamps.

The life of an incandescent filament is voltage sensitive. A 10% increase in applied voltage will reduce the filament life to only 30% of its design value, while a 10% decrease in applied voltage will multiply the design life by a factor of approximately three. It is often feasible to "derate" an incandescent lamp for the sake of increased life.

RESISTANCE

The resistance of tungsten increases with its temperature, and as its applied voltage is increased a given tungsten filament will become hotter. Therefore, at elevated voltages, the rate of current change is less than at reduced voltages. This characteristic sometimes makes tungsten filament lamps useful as circuit ballasts.

VACUUM

The source of light in all miniature lamps is an incandescent tungsten filament which must be protected from exposure to the atmosphere. In vacuum type lamps, the filament is protected by processing the lamp so that a vacuum exists inside the glass envelope. The level of vacuum prior to operation of the lamp is on the order of 10^{-2} mm Hg or better, and during operation lamps will generally improve to about 10^{-4} mm Hg because of gettering of residual gasses by tungsten evaporation.

Tungsten evaporation rates in vacuum lamps are generally much higher than in gas filled or halogen lamp types. As a consequence, normal bulb blackening causes an almost constant decrease in light output during the life of the lamp.

GAS FILLED

Gas filled lamps use an inert gas to protect the filament during operation. In most automotive lamps, the gas most used is a mixture of 88% argon and 12% nitrogen. The pressure of the fill gas at room temperature is about 3/4 of an atmosphere.

The use of a fill gas reduces the net rate of tungsten evaporation by several orders of magnitude, so that little blackening of the bulb occurs during the life of the lamp. Since the net evaporation rate in gas is less than in a vacuum, the filament can be operated at a higher temperature for the same life. For this reason, gas filled lamps are more efficient than vacuum lamps.

The blackening that does occur is usually confined to the top of the bulb because of convection currents produced during operation. To avoid "water cycle" and premature blackening, "getters" are usually used to chemically or physically bind contaminants and assure a "clean" fill gas. Purity of the gas fill initially and during operation is critical in gas filled lamps.

HALOGEN

Halogen lamps, in addition to being gas filled, have a gaseous halogen compound added to the gas fill. The halogen compound constitutes a small portion of the fill gas and must be accurately controlled. The quantity used is on the order of 100 parts per million of fill gas and is usually a bromine compound. Its purpose is to prevent any blackening of the bulb by returning evaporated tungsten back to the filament through a "halogen cycle". Too little halogen permits blackening of the bulb to occur. Too much halogen destroys the tungsten filament.

Since with proper operation of the "halogen cycle" no blackening occurs, the bulb can be smaller than what is normally used in regular gas filled lamps. With smaller envelopes, higher molecular weight inert gasses and higher fill pressures are practical. Krypton is generally used in automotive halogen lamps and the fill pressure at room temperature is approximately 5 atmospheres.

The higher molecular weight gas and higher fill pressure permits operation of the filament at even higher temperatures than regular gas filled lamps, so that for the same life, halogen lamps have the highest efficiency of all miniature lamps.

CLASSIFICATIONS OF MAJOR LAMP FAMILIES

VACUUM	GAS FILLED	HALOGEN
B-3½ Bulb	B-3½ Bulb	PAR 16 (MR16-2 Pin)
G-3½ Bulb	G-4½ Miniature Bayonet	T-2¼ G-4 Two Pin
G-3½ Miniature Bayonet	G-4½ Miniature Screw	T-2¼ Printed Circuit
G-3½ Miniature Screw	G-4½ Two Pin	T-2¼ Wedge
G-3½ Two Pin	B-6 D.C. Bayonet	T-2½ P14.5s
G-4½ Bulb	B-6 S.C. Bayonet	T-2½ Px14.5s
G-4½ Miniature Bayonet	G-6 D.C. Bayonet*	T-2¾ BA9s
G-4½ Miniature Screw	G-6 S.C. Bayonet*	T-3 X511
G-4½ Two Pin	GT-8 Wedge	T-3¼ Axial Plastic
T-1¾ BA75mm	PAR 16	T-3¼ Axial Plastic Prefocus
T-1¾ Encapsulated	RP-11 D.C. Bayonet	T-3¼ PK22s
T-1¾ Midget Grooved	RP-11 S.C. Bayonet	T-3¼ PKY22s
T-1¾ Printed Circuit	RP-11 D.C. Prefocus	T-3¼ Rt. Angle Plastic
T-1¾ S.C. Midget Flanged	RP-11 S.C. Prefocus	T-3¼ Rt. Angle Plastic Prefocus
T-1¾ Subminiature	S-8 D.C. Bayonet	T-4 G7.1
T-1¾ TU Pin	S-8 D.C. Indexed	T-4 Halogen Capsule (Special)
T-1¾ Wedge	S-8 D.C. Prefocused	T-4 S.C. Bayonet
T-1¾ Wire Lead	S-8 Plastic Wedge	T-4⅝ Halogen Capsule (Special)
T-2¼ Printed Circuit	S-8 S.C. Bayonet	T-4⅝ P43t
T-2¼ SV7mm	S-8 Wire Lead	T-4⅝ PU43t
T-2¼ Wedge	S-11 S.C. Bayonet	
T-2¾ Wedge	T-3 Double End Cap	*In most cases these are gas filled
T-3¼ Miniature Bayonet	T-3 Miniature Screw	**These are vacuum, with the exception of the TL 175 which is gas filled
T-3¼ Miniature Screw	T-3 Rigid Loop	
T-3¼ Printed Circuit	T-4¾ D.C. Rigid Loop	
T-3¼ SV7.5 mm	T-4¾ Double End Cap	
T-3¼ Wedge**	T-4¾ Rigid Loop	
T-3¼ Wire Lead	T-5 Wedge	
T-4 SV8.5MM		

MINIATURE LAMP (BULB) PERFORMANCE CHARACTERISTICS

LAMP TYPE	WATTAGE (W)	LIGHT OUTPUT (CP)	EFFICIENCY (CP/W)
Vacuum	1-5	.01-3	.3-.7
Gas Filled	5-30	4-50	.7-1.5
Halogen	10-100	6-200	1.5-2.5

Light Center Length is a measurement from the geometric center of the filament to:

Bayonet Base: Top of Lowest Base Pin

D.C. Indexed: Top of Lowest Base Pin

D.C. Prefocus: Bottom of Indentations on Prefocusing Collar

Flanged: Top of Flange

GT-8 Bulb: Bottom of Sleeve

Midget Grooved: Center of Groove

Miniature Flange: Top of Locating Bosses

PC Bulbs: Top of Plastic Flange

S.C. Prefocus: Bottom of Indentations on Prefocusing Collar

Screw Base: Bottom Tip of Contact

Subminiature Flange Base: Top of Locating Bosses

Wedge Base: Center of Detent Notch

Wire Terminal: Not Specified

All automotive lamps use tungsten as its filament material because of its high melting point and its low rate of evapora-

tion at high temperature. Depending on the lamp type, the filament temperature may range from as low as 1800°K to as high as 3000°K.

Sizing of the tungsten wire for use in lamps is very critical. Special calculations have to be performed to determine what particular diameter is needed in order to achieve the desired lamp electrical characteristics. Tungsten wire is usually available in a wide range of sizes from about .0005 inches (.49 mg/200mm) to .008 inches (124 mg/200 mm) in order to accommodate the lamp designer's particular need.

The life rating of most lamps is determined by the net rate of evaporation of material from the filament. The failure usually occurs in the hottest or center portion of the filament when the diameter of the wire has been reduced by approximately 6%; however, in some lamps that use tungsten milligram weight under 1.0 milligram, another failure mechanism comes into play. This is called notching. Notching produces a sawtooth appearance to the tungsten which results in very abnormally thin areas of the wire and causes life failures much earlier than would otherwise be predicted by the design. Notching occurs much less rapidly on A.C. voltage and is the preferred voltage for small lamp operation.

Filament designations consist of a letter prefix which indicates the type of filament and a number or number-letter combination indicating the filament arrangement on the lead wires and supports.

Letter Prefix

C (Coiled) — a filament wound into a helical coil

CC (Coiled Coil) — a coiled filament wound again into a helical coil

S (Straight) — a straight or slightly corrugated filament

Filament Types

C-2F — a coil that has 2 anchor supports and a shape like an upside down letter 'U'

C-2R — a coil that has an upward radius or curve

2C-2R — two filaments connected in series with a C-2R shape

C-6/C-6 — a pair of C-6 filaments

CC-6/C-2V — a CC-6 and C-2V in combination

C-2V — a coil that is peaked without any support

C-2V supported — a coil that is peaked with a support

C-6 — a straight across bar filament

CC-6 — a straight across filament that has been double coiled

C-8Z — indicates an axial type filament that has the legs coming off from the filament at right angles and in opposite directions

2C-6 — a pair of C-6 filaments

C-8 — coiled axial filament

CC-6/CC-6 — a pair of CC-6 filaments

CC-8 — a straight across filament that has been double coiled

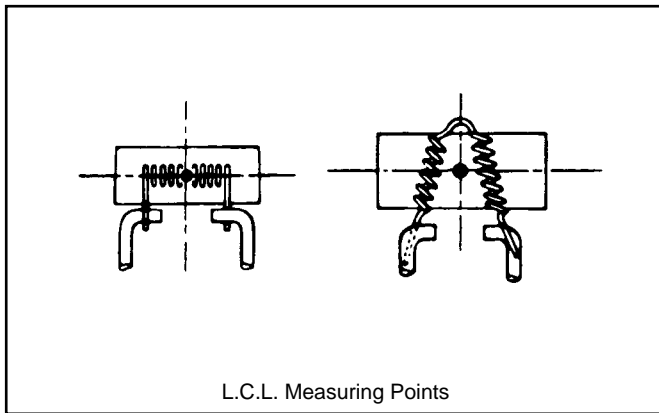
2C-2V — two filaments with a C-2V shape

S-2 — straight filament peaked without support

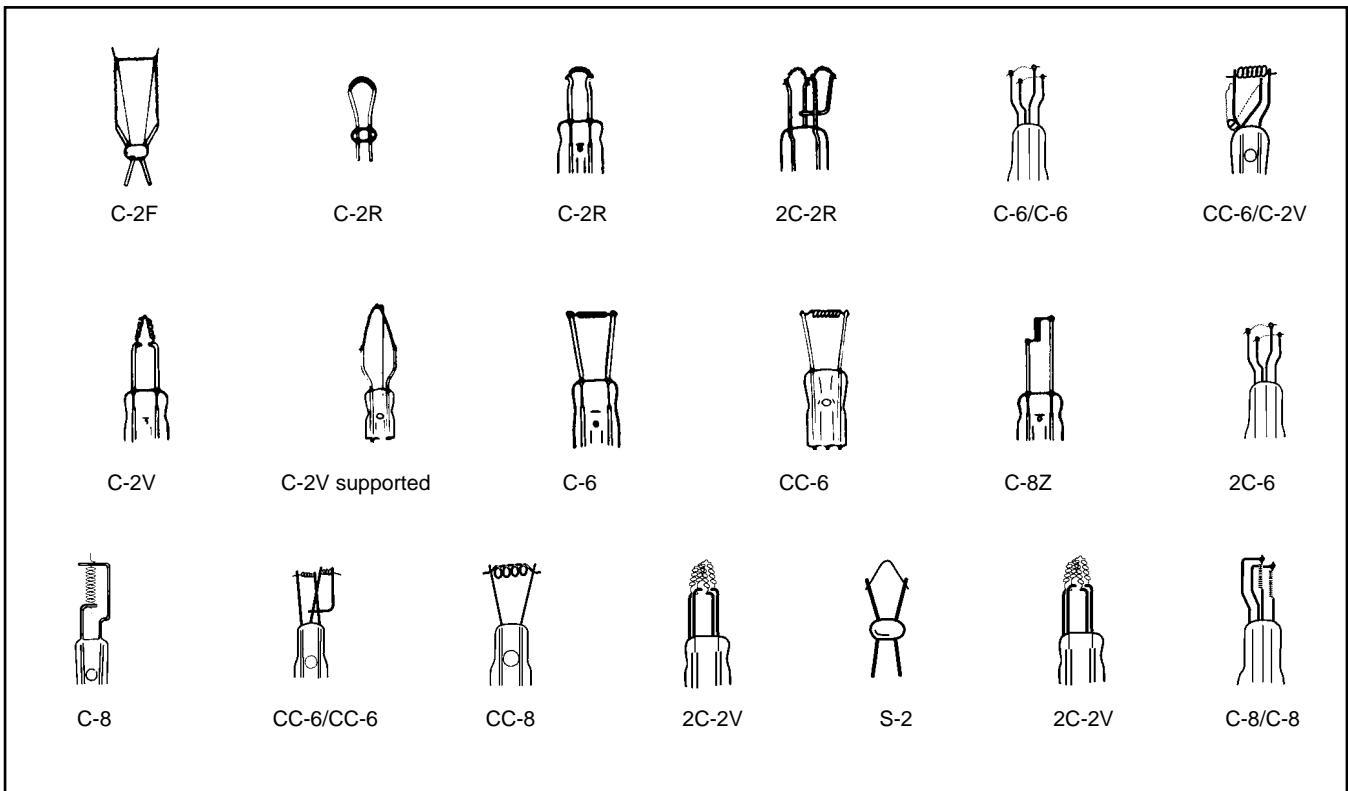
2C-2R — two filaments with a C-2R shape

C-8/C-8 — a pair of C-8 filaments

FILAMENT CHARACTERISTICS



FILAMENT AND MOUNT DESIGNS

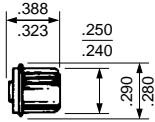


MINIATURE LAMP BASE TYPES

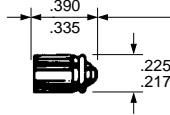
The dimensions of the line drawings of the bases indicate the maximum and minimum length and diameter in thousandths-

of-an-inch (SAE and industry standards) for guidance in socket and/or receptacle design.

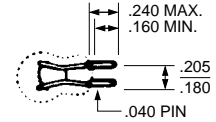
3



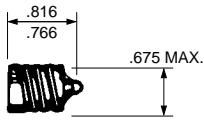
Midget Flange



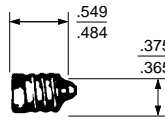
Midget Groove



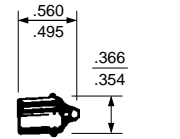
Miniature Two Pin



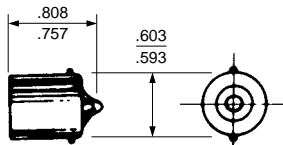
Intermediate Screw



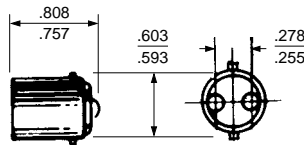
Miniature Screw



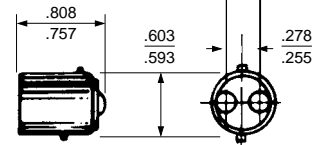
Miniature Bayonet



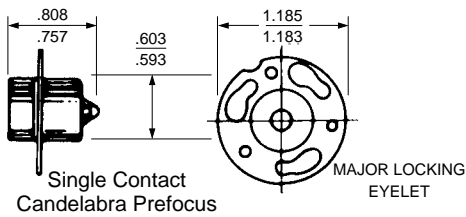
Single Contact Bayonet Candelabra



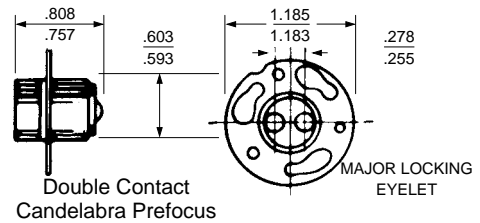
Double Contact Bayonet Candelabra



Double Contact Bayonet Candelabra Index

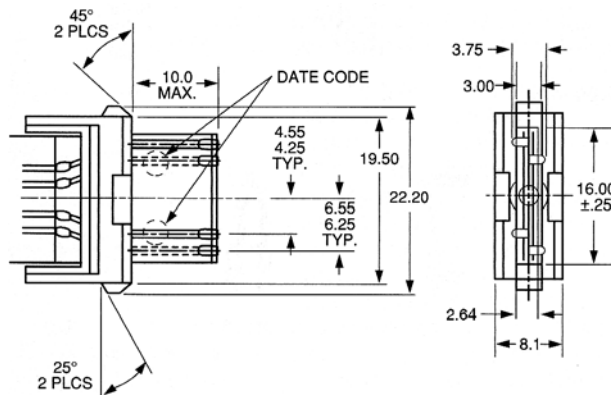


Single Contact Candelabra Prefocus



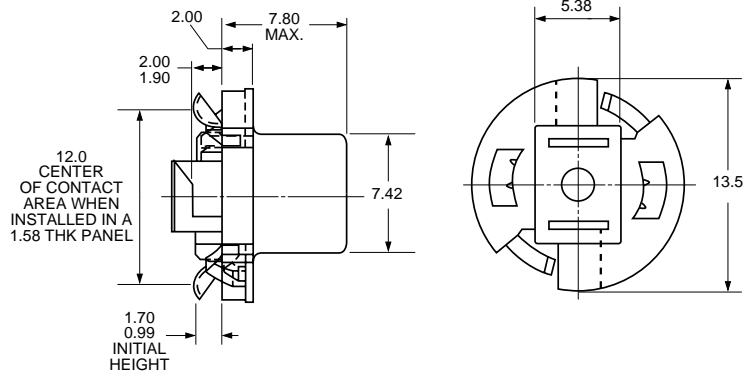
Double Contact Candelabra Prefocus

GT-8

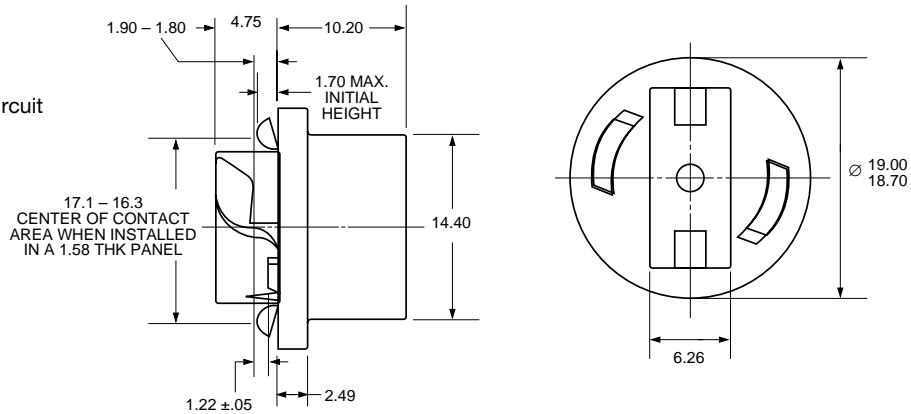


MINIATURE LAMP BASE TYPES

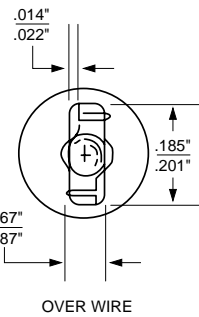
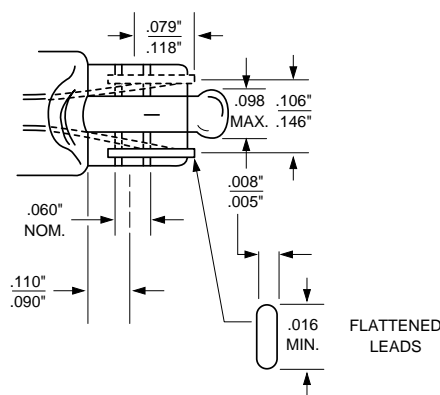
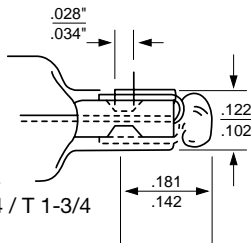
T 1-3/4 Printed Circuit



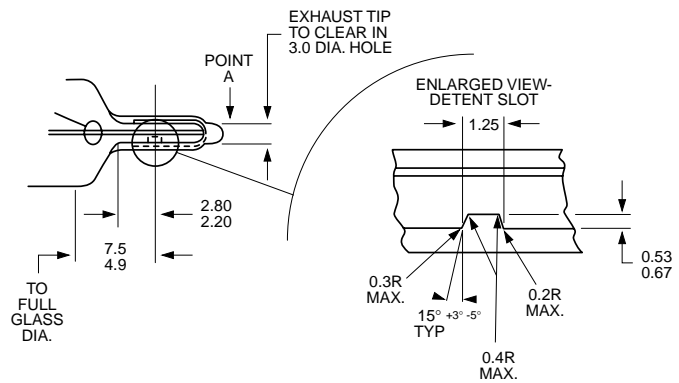
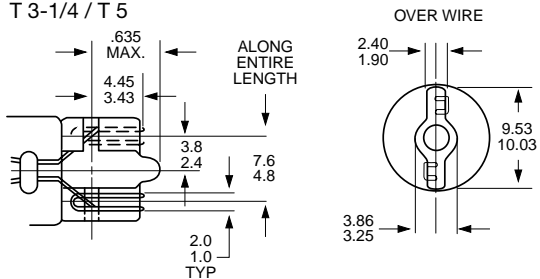
T 3-1/4 Printed Circuit



Wedge
T 2-3/4 / T 1-3/4



Wedge
T 3-1/4 / T 5



Brass Base (Most Common Types):

- D.C. — Double Contact
- D.C. Index — Double Contact with Hi/Lo Pins
- S.C. — Single Contact

Wedge Base: Glass wedge shaped base is formed out of glass from the bulb envelope. Base is also known as "press area".

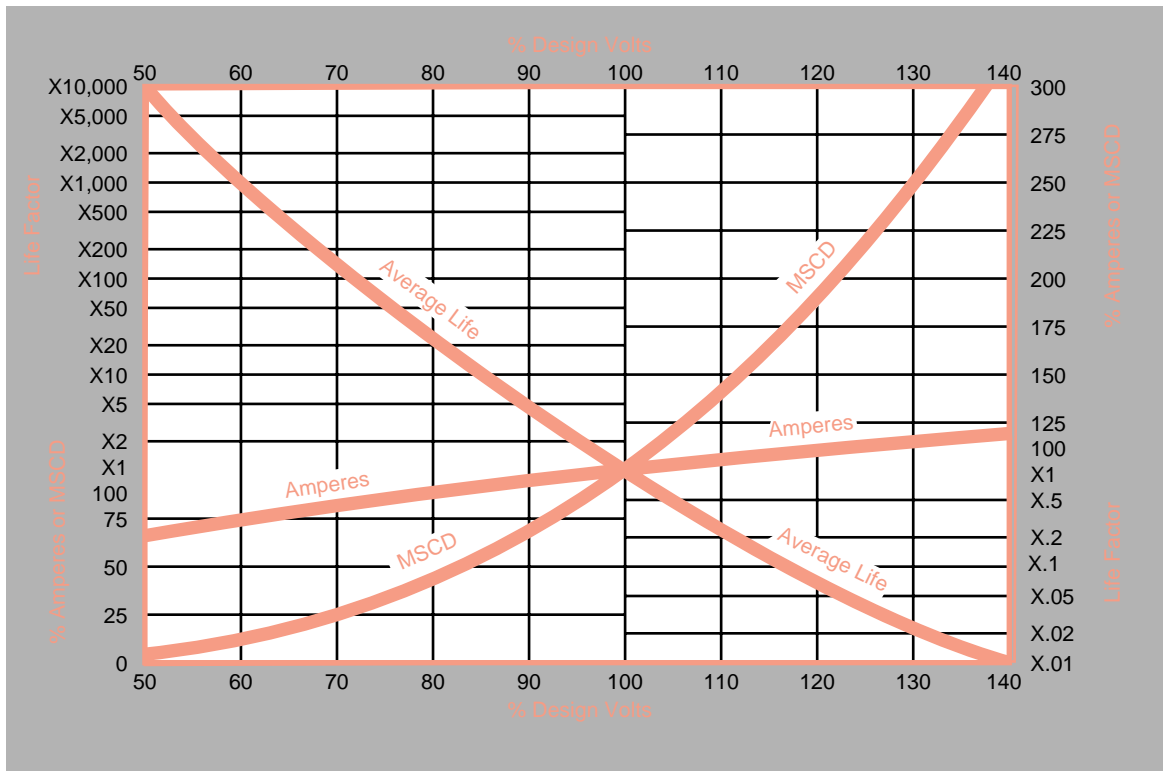
**INTERRELATIONSHIPS:
VOLTAGE, CANDLEPOWER, CURRENT, LIFE**

- All characteristics are **significantly** related
- The relationships are **not** linear
- The following table and chart depict the inter-relationships
- Bulbs powered in excess of $\pm 10\%$ of rated voltage may vary widely in actual values depending on individual application conditions

UNDERRATED BULB VOLTAGES (100% <)			
VOLTS %	AMPS %	MSCP %	LIFE %
99	99.4	96.5	112.8
98	98.9	93.2	127.4
97	98.3	89.9	144.1
96	97.8	86.7	163.2
95	97.2	83.6	185.1
90	94.4	69.2	354.1
85	91.4	56.6	703.0
80	88.5	45.8	1455.2
75	85.4	36.5	3156.9
70	82.2	28.7	7224.8

OVERRATED BULB VOLTAGES (100% >)			
VOLTS %	AMPS %	MSCP %	LIFE %
101	100.5	103.5	88.7
102	101.1	107.2	78.8
103	101.6	110.9	70.1
104	102.2	114.7	62.5
105	102.7	118.6	55.7
110	105.4	139.6	31.9
115	108.0	163.1	18.7
120	110.5	189.3	11.2
125	113.1	218.4	6.9
130	115.5	250.5	4.3

CHARACTERISTIC CURVES FOR MINIATURE LAMPS



Line Number: Used to locate specific lamps. No ordering or technical significance is implied.

Lamp Number: Lamps are marked, in most cases, with a Wagner Lighting lamp number which has been registered with ANSI (American National Standards Institute).

Primary Application: The application for which the lamp was originally designed. It should be noted that other than original applications can be serviced where their designs prove advantageous.

Design Volts: The voltage at which the lamp was designed to operate.

Design Watts: The measure of power consumption when the lamp is operated at design volts.

Design Amps: The measure of current consumption when the lamp is operated at design volts.

Approximate Candlepower or Initial Maximum Candlepower: The initial mean spherical candlepower emitted by the light source when the lamp is operated at design voltage.

Rated Average Lab Life: A statistical average of lamp life while in a controlled laboratory environment. Vibration, shock, voltage, and temperature variance could alter actual life.

Beam Spread: An approximate measurement of the height and width of a beam pattern which is calculated in horizontal and vertical degrees.

Base Type: Please refer to section "Miniature Lamp Base Types" for miniature lamps (pages 19-20), and section "Sealed Beam Base Types" for sealed beam lamps (page 50).

Maximum Overall Length: The measurement which includes the bulb and base as the overall length.

Light Center Length: The measurement which indicates the location of the filament with reference to the lamp base. Please refer to section "Filament Characteristics" for miniature lamps (page 18).

Filament Type: Please refer to section "Filament and Mount Designs" (page 18).

Fig. No.: Refers to specific miniature lamp illustration.

Lamp Prefixes:

EN = Encapsulated
 H = Halogen
 HP = Halogen Plastic
 PC = Printed Circuit
 PR = Prefocus (flashlight)
 KPR = Krypton Gas Prefocus (flashlight)

Lamp Suffixes:

A = Translucent Outside Amber Coating
 B = Blue
 DC = Double Contact
 G = Green

Lamp Suffixes Continued:

HD = Heavy Duty
 IF = Inside Frosted
 LL = Long Life
 NA = Natural Amber
 NA-SA = Natural Amber Special Application
 R = Red
 RA = Special Variant
 S = Special Variant
 X = Special Variant
 XS = Straight Base
 -1 = Special Variant
 -2 = Special Variant
 -3 = Special Variant
 -4 = Special Variant
 -5 = Special Variant
 -SA = Special Application
 /H1 = Type H1
 /H2 = Type H2
 /H3 = Type H3
 /H4 = Type H4
 (OR) = 3 Eyelet

Abbreviations:

A.C. (Voltage) = Alternating Current
 APPROX = Approximate
 CIM = Construction Industrial Machinery
 D.C. (Voltage) = Direct Current
 D.C. (Base) = Double Contact
 DIA. = Diameter
 Fig. = Figure
 L.C.L. = Light Center Length
 mm = millimeter
 M.O.L. = Maximum Overall Length
 MP = Multipurpose
 MSCP = Mean Spherical Candlepower
 No. = Number
 NOM. = Nominal
 PAR = Parabolic Aluminized Reflector
 Rect = Rectangular
 SAE = Society of Automotive Engineers
 S.C. = Single Contact
 THK = Thick
 TYP = Typical
 WP = Waterproof
 + = Plus

LINE NO.	LAMP NUMBER	PRIMARY APPLICATION	DESIGN VOLTS	DESIGN WATTS	DESIGN AMPS	APPROX. CANDLE-POWER	RATED AVERAGE LAB LIFE HOURS	BASE TYPE	MAXIMUM OVERALL LENGTH (inches)	LIGHT CENTER LENGTH (inches)	FILAMENT TYPE	FIG. NO.
B-3½ Bulb 7/16" (11mm) Diameter												
1	KPR141*	Flashlight, Rechargeable, Krypton	2.00	2.40	1.20	1.40	15	S.C. Miniature Flanged	1.250	0.250	C-2R	1
2	PR4	Flashlight, 2 C Cells	2.33	0.63	0.27	0.40	10	S.C. Miniature Flanged	1.250	0.250	C-2R	1
3	PR2	Flashlight, 2 D Cells	2.38	1.19	0.50	0.80	15	S.C. Miniature Flanged	1.250	0.250	C-2R	1
4	KPR102	Flashlight, 2 Cells, Krypton	2.40	1.68	0.70	1.30	15	S.C. Miniature Flanged	1.250	0.250	C-2R	1
5	KPR131*	Flashlight, 2 Cells, Krypton	2.40	1.99	0.83	1.47	15	S.C. Miniature Flanged	1.250	0.250	C-2R	1
6	PR6	Flashlight, 2 D Cells	2.47	0.74	0.30	0.45	30	S.C. Miniature Flanged	1.250	0.250	C-2R	1
7	PR9*	Flashlight, 2 D Cells	2.70	0.41	0.15	0.25	45	S.C. Miniature Flanged	1.250	0.250	C-2R	1
8	PR29*	Flashlight, 3 D Cells	3.50	0.70	0.20	0.60	15	S.C. Miniature Flanged	1.250	0.250	C-2R	1
9	PR3	Flashlight, 3 D Cells	3.57	1.79	0.50	1.50	15	S.C. Miniature Flanged	1.250	0.250	C-2R	1
10	KPR103	Flashlight, 3 Cells, Krypton	3.60	2.70	0.75	2.70	20	S.C. Miniature Flanged	1.250	0.250	C-2R	1
11	PR7	Flashlight, 3 D Cells	3.70	1.11	0.30	0.90	30	S.C. Miniature Flanged	1.250	0.250	C-2R	1
12	PR30*	Flashlight, Rechargeable	3.75	3.23	0.86	2.25	40	S.C. Miniature Flanged	1.250	0.250	C-2R	1
13	PR13	Hand Lantern, 4 F Cells	4.75	2.38	0.50	2.20	15	S.C. Miniature Flanged	1.250	0.250	C-2R	1
14	KPR113	Flashlight, 4 Cells, Krypton	4.80	3.60	0.75	4.06	20	S.C. Miniature Flanged	1.250	0.250	C-2R	1
15	PR15	Hand Lantern, 8 F Cells	4.82	2.41	0.50	1.90	30	S.C. Miniature Flanged	1.250	0.250	C-2R	1
16	PR12	Flashlight, 5 D Cells	5.95	2.98	0.50	3.10	15	S.C. Miniature Flanged	1.250	0.250	C-2R	1
17	KPR118	Flashlight, 6 Cells, Krypton	7.20	3.96	0.55	5.23	15	S.C. Miniature Flanged	1.250	0.250	C-2R	1
18	PR18	Flashlight, 6 D Cells	7.20	3.96	0.55	5.50	3	S.C. Miniature Flanged	1.250	0.250	C-2R	1
19	PR20	Flashlight, 7 D Cells	8.63	4.32	0.50	5.00	15	S.C. Miniature Flanged	1.250	0.250	C-2R	1
B-6 Bulb 3/4" (19mm) Diameter												
20	209	Automotive	6.50	11.57	1.78	15.00	100	S.C. Bayonet	1.750	1.063	C-6	2
21	210	Instrument	6.50	11.57	1.78	15.00	100	D.C. Bayonet	1.750	1.063	C-6	3
22	17171	Interior, Signal	12.00	5.00	0.42	4.00	200	BA15s	1.475	0.740	C-2R	80
23	17311	Interior, Signal	12.00	10.00	0.83	10.00	200	BA15s	1.475	0.740	C-2R	80
24	104	Interior, Fleet Duty	12.80	12.80	1.00	12.00	600	D.C. Bayonet	1.750	1.063	C-6	3
25	105	Interior, Fleet Duty	12.80	12.80	1.00	12.00	600	S.C. Bayonet	1.750	1.063	C-6	2
26	1003	Interior, Automotive	12.80	12.03	0.94	15.00	100	S.C. Bayonet	1.750	1.063	C-6	2
27	1003K*	Interior, Automotive, Krypton, (same as 1003LL)	12.80	12.03	0.94	15.00	200	S.C. Bayonet	1.750	1.063	C-6	2

NOTE: CIM = Construction Industrial Machinery D.C. = Double Contact MP = Multipurpose Rt. = Right S.C. = Single Contact
***This part number is included for reference only and inventory may not be available.**

LINE NO.	LAMP NUMBER	PRIMARY APPLICATION	DESIGN VOLTS	DESIGN WATTS	DESIGN AMPS	APPROX. CANDLE-POWER	RATED AVERAGE LAB LIFE HOURS	BASE TYPE	MAXIMUM OVERALL LENGTH (inches)	LIGHT CENTER LENGTH (inches)	FILAMENT TYPE	FIG. NO.
B-6 Bulb 3/4" (19mm) Diameter (Continued)												
1	1003LL	Interior, Automotive, Krypton, (same as 1003K)	12.80	12.03	0.94	15.00	200	S.C. Bayonet	1.750	1.063	C-6	2
2	1004	Interior, Automotive	12.80	12.03	0.94	15.00	100	D.C. Bayonet	1.750	1.063	C-6	3
3	17181	Interior, Signal	24.00	5.00	0.21	4.00	200	BA15s	1.475	0.740	C-2R	80
4	17326	Interior, Signal	24.00	10.00	0.42	10.00	200	BA15s	1.475	0.740	C-2R	80
5	1309	Aircraft	28.00	14.56	0.52	15.00	300	S.C. Bayonet	1.750	1.063	CC-6	2
6	1308	Aircraft	28.00	15.68	0.56	16.00	2,000	S.C. Bayonet	1.750	1.063	CC-8	2
B-11 Bulb 1 3/8" (35mm) Diameter												
7	6260SA	Auxiliary, Off-Road, Snowmobile	12.00 12.00	60.00 60.00	5.00 5.00	90.00 90.00	100 100	P43t	2.913	1.125	C-6 C-6	81
G-3 1/2 Bulb 7/16" (11mm) Diameter												
8	14	Flashlight, 2 D Cells	2.47	0.74	0.30	0.50	15	Miniature Screw	0.938	0.719	C-2R	5
9	10	Indicator	2.50	1.25	0.50	0.50	3,000	2 Pin	0.938	0.625	C-6	6
10	13	Flashlight, 3 D Cells	3.70	1.11	0.30	0.98	15	Miniature Screw	0.938	0.719	C-2R	5
11	12*	Radio	6.30	0.95	0.15	0.35	5,000	2 Pin	0.938	0.625	C-6	6
12	25*	Radio	6.30	1.58	0.25	0.50	5,000	2 Pin	0.938	0.625	C-6	6
13	137*	Radio	6.30	1.58	0.25	0.55	5,000+	Miniature Bayonet	0.938	0.500	C-2R	4
14	51	Indicator	7.50	1.65	0.22	1.00	1,000	Miniature Bayonet	0.938	0.500	C-2R	4
15	29*	Toy	10.00	1.10	0.11	0.65	3,000	2 Pin	0.938	0.625	C-6	6
16	1446*	Toy	12.00	2.40	0.20	1.90	250	Miniature Screw	0.938	0.719	C-2R	5
17	363	Toy	14.00	2.80	0.20	2.00	250	Miniature Bayonet	0.938	_	C-2V	4
18	1449	Toy	14.00	2.80	0.20	2.00	250	Miniature Screw	0.938	0.719	C-2V	5
19	53R*	Indicator, Red	14.40	1.73	0.12	_	1,000	Miniature Bayonet	0.938	0.500	C-2V	4
20	1445	Automotive and Toy	14.40	2.02	0.14	0.70	2,000	Miniature Bayonet	0.938	0.500	C-2V	4
21	19*	Toy	14.40	1.44	0.10	0.90	1,000	2 Pin	0.938	0.625	C-2R	6
22	53	Automotive	14.40	1.73	0.12	1.00	1,000	Miniature Bayonet	0.938	0.500	C-2V	4
23	53X ^①	Automotive, Fleet Duty	14.40	1.73	0.12	1.00	1,000	Miniature Bayonet	0.938	0.500	C-2F	4
24	182	Automotive, Fleet Duty	14.40	2.59	0.18	1.00	2,000	Miniature Bayonet	0.938	0.500	C-2F	4
25	1447*	Toy	18.00	2.70	0.15	1.50	250	Miniature Screw	0.938	0.719	C-2V	5
26	1450	Indicator	24.00	0.84	0.04	0.23	3,000	Miniature Bayonet	0.938	0.500	C-2F	4
27	265	Indicator	28.00	2.24	0.08	0.75	5,000	Miniature Bayonet	0.938	0.500	C-2F	4
28	356	Aircraft	28.00	4.76	0.17	3.50	500	Miniature Bayonet	0.938	0.500	C-2V	4
G-4 1/2 Bulb 9/16" (14mm) Diameter												
29	407*	Hand Lantern, 4 F Cells, Random Flashing Indication	4.90	1.47	0.30	1.20	50	Miniature Screw	1.063	0.810	C-2R	7
30	27	Hand Lantern, 4 F Cells	4.90	1.47	0.30	1.40	30	Miniature Screw	1.063	0.720	C-2R	7

5

① "X" is a special variant.

NOTE: CIM = Construction Industrial Machinery D.C. = Double Contact MP = Multipurpose Rt. = Right S.C. = Single Contact
***This part number is included for reference only and inventory may not be available.**

LINE NO.	LAMP NUMBER	PRIMARY APPLICATION	DESIGN VOLTS	DESIGN WATTS	DESIGN AMPS	APPROX. CANDLE-POWER	RATED AVERAGE LAB LIFE HOURS	BASE TYPE	MAXIMUM OVERALL LENGTH (inches)	LIGHT CENTER LENGTH (inches)	FILAMENT TYPE	FIG. NO.
G-4½ Bulb ⅛" (14mm) Diameter (Continued)												
1	425	Hand Lantern, 4 F Cells	5.00	2.50	0.50	2.30	15	Miniature Screw	1.063	0.563	C-2R	7
2	502	Hand Lantern, 4 F Cells	5.10	0.77	0.15	0.60	100	Miniature Screw	1.063	0.720	C-2R	7
3	605*	Flashlight, 5 D Cells	6.15	3.08	0.50	3.40	15	Miniature Screw	1.063	0.720	C-2R	7
4	15*	Indicator	7.00	2.80	0.40	2.00	500	2 Pin	1.063	0.688	C-6	8
5	55	Instrument	7.00	2.87	0.41	2.00	500	Miniature Bayonet	1.063	0.563	C-2R	9
6	257	Auto And Toy, Random Flashing Indication	14.00	3.78	0.27	1.60	500	Miniature Bayonet	1.063	0.560	C-2R	9
7	57	Automotive	14.00	3.36	0.24	2.00	500	Miniature Bayonet	1.063	0.562	C-2V	9
8	57X [ⓧ]	Automotive, Fleet Duty	14.00	3.36	0.24	2.00	500	Miniature Bayonet	1.063	0.562	C-2F	9
9	293	Automotive, Fleet Duty	14.00	4.62	0.33	2.00	5,000	Miniature Bayonet	1.063	0.562	C-2F	9
10	1895	Automotive	14.00	3.78	0.27	2.00	1,500	Miniature Bayonet	1.063	0.562	C-2F	9
11	456	Instrument	28.00	4.76	0.17	2.00	5,000	Miniature Bayonet	1.063	0.560	C-2F	9
G-6 Bulb ¾" (19mm) Diameter												
12	81	Aircraft, Automotive	6.50	6.63	1.02	6.00	500	S.C. Bayonet	1.438	0.750	C-2R	10
13	82	Automotive, Marine	6.50	6.63	1.02	6.00	500	D.C. Bayonet	1.438	0.750	C-2R	12
14	63	Aircraft, Automotive, Coin Machine	7.00	4.41	0.63	3.00	1,000	S.C. Bayonet	1.438	0.750	C-2R	10
15	64	Aircraft, Marine	7.00	4.41	0.63	3.00	1,000	D.C. Bayonet	1.438	0.750	C-2R	12
16	B1007	Signal, Stop, Motorcycle	12.00 12.00	20.00 5.00	1.66 0.42	30.00 4.00	200 5,000	BAY15d	1.438	0.750	C-6 C-6	82
17	B1007A	Motorcycle Hi Lo	12.00 12.00	20.00 5.00	1.66 0.42	30.00 4.00	200 5,000	BAY15d	1.438	0.750	C-6 C-6	82
18	89	Automotive	13.00	7.54	0.58	6.00	750	S.C. Bayonet	1.438	0.750	C-2R	10
19	90	Automotive, Marine	13.00	7.54	0.58	6.00	750	D.C. Bayonet	1.438	0.750	C-2R	12
20	98	Automotive	13.00	8.06	0.62	6.00	1,300	S.C. Bayonet	1.438	0.750	C-2V	10
21	97A*	Auto, Translucent Outside Amber Coating	13.50	9.32	0.69	—	5,000	S.C. Bayonet	1.438	0.750	C-2V	10
22	97NA	Automotive, Natural Amber	13.50	9.32	0.69	3.00	5,000	S.C. Bayonet	1.438	0.750	C-2V	10
23	67	Automotive	13.50	7.97	0.59	4.00	5,000	S.C. Bayonet	1.438	0.750	C-2R	10
24	68	Automotive, Marine	13.50	7.97	0.59	4.00	5,000	D.C. Bayonet	1.438	0.813	C-2R	12
25	97	Automotive, Fleet Duty	13.50	9.32	0.69	4.00	5,000	S.C. Bayonet	1.438	0.750	C-2V	10
26	1155	Automotive	13.50	7.97	0.59	4.00	5,000	S.C. Bayonet	1.438	0.750	2C-2R [ⓓ]	11
27	1178	Automotive, Fleet Duty	13.50	9.32	0.69	4.00	5,000	D.C. Bayonet	1.438	0.750	C-2V	12
28	631	Automotive, Fleet Duty	14.00	8.82	0.63	6.00	1,000	S.C. Bayonet	1.438	0.750	2C-2R [ⓓ]	11
29	1251	Instrument	28.00	6.44	0.23	3.00	1,000	S.C. Bayonet	1.438	0.750	2C-2V [ⓓ]	11

ⓧ "X" is a special variant. ⓓ Two filaments in series

NOTE: CIM = Construction Industrial Machinery D.C. = Double Contact MP = Multipurpose Rt. = Right S.C. = Single Contact

***This part number is included for reference only and inventory may not be available.**

LINE NO.	LAMP NUMBER	PRIMARY APPLICATION	DESIGN VOLTS	DESIGN WATTS	DESIGN AMPS	APPROX. CANDLE-POWER	RATED AVERAGE LAB LIFE HOURS	BASE TYPE	MAXIMUM OVERALL LENGTH (inches)	LIGHT CENTER LENGTH (inches)	FILAMENT TYPE	FIG. NO.
G-6 Bulb 3/4" (19mm) Diameter (Continued)												
1	1252	Instrument	28.00	6.44	0.23	3.00	1,000	S.C. Bayonet	1.438	0.750	2C-2V [®]	11
2	303	Aircraft	28.00	8.68	0.31	6.00	500	S.C. Bayonet	1.438	0.750	C-2F	10
3	304	Aircraft	28.00	8.40	0.30	6.00	500	D.C. Bayonet	1.440	0.750	C-2F	12
4	623	Instrument	28.00	10.36	0.37	6.00	1,000	S.C. Bayonet	1.438	0.750	2C-2V [®]	11
5	624	Auto, Marine	28.00	10.36	0.37	6.00	1,000	D.C. Bayonet	1.438	0.750	2C-2V [®]	12
6	1224	Marine	34.00	5.44	0.16	3.80	500	D.C. Bayonet	1.438	0.690	C-2F	12
G-13 Bulb 1^{37/64}" (40mm) Diameter												
7	49211	Auxiliary, Off- Hi Road, Tractor Lo	12.00 12.00	45.00 40.00	3.75 3.33	56.00 38.00	75 150	P45t	3.228	1.125	C-8 C-2R	83
8	49211T	Auxiliary, Off- Hi Road, Tractor Lo	12.00 12.00	45.00 40.00	3.75 3.33	56.00 38.00	75 150	P45t	3.228	1.125	C-8 C-2R	83
9	6260BA	Auxiliary, Hi Off-Road, Lo Snowmobile	12.00 12.00	60.00 60.00	5.00 5.00	90.00 90.00	100 100	P45t	3.228	1.125	C-8 C-2V	83
GT-8 Bulb 1" (25.4mm) Diameter												
10	3155	Signal, Automotive	12.80	20.48	1.60	21.00	1,500	S.C. Wedge	2.120	1.100	C-6	13
11	3057NA	Park, Signal, Automotive, Natural Amber	12.80 14.00	26.88 6.72	2.10 0.48	24.00 1.50	1,200 5,000	D.C. Wedge	2.120	1.100	C-6 C-6	14
12	3057NAK*	Park, Signal, Automotive, Natural Amber, Krypton, (same as 3057NALL)	12.80 14.00	26.88 6.72	2.10 0.48	24.00 1.50	2,000 10,000	D.C. Wedge	2.120	1.100	C-6 C-6	14
13	3057NALL	Park, Signal, Automotive, Natural Amber, Krypton, (same as 3057NAK)	12.80 14.00	26.88 6.72	2.10 0.48	24.00 1.50	2,000 10,000	D.C. Wedge	2.120	1.100	C-6 C-6	14
14	3156NA	Signal, Automotive, Natural Amber	12.80	26.88	2.10	24.00	1,200	S.C. Wedge	2.120	1.100	C-6	13
15	3157NA	Park, Signal, Automotive, Natural Amber	12.80 14.00	26.88 8.26	2.10 0.59	24.00 2.20	1,200 5,000	D.C. Wedge	2.120	1.100	C-6 C-6	14
16	3157NAK*	Park, Signal, Automotive, Natural Amber, Krypton, (same as 3157NALL)	12.80 14.00	26.88 8.26	2.10 0.59	24.00 2.20	2,000 10,000	D.C. Wedge	2.120	1.100	C-6 C-6	14
17	3157NALL	Park, Signal, Automotive, Natural Amber, Krypton, (same as 3157NAK)	12.80 14.00	26.88 8.26	2.10 0.59	24.00 2.20	2,000 10,000	D.C. Wedge	2.120	1.100	C-6 C-6	14
18	3757NALL	Daytime Running Light, Automotive. ECE Rating	12.80 14.00 13.50	26.88 8.26 32.10	2.10 0.59 2.16	24.00 2.25 22.28	3,600 10,000 2,000	D.C. Wedge WX2.5x16q	2.120	1.100	C-6 C-6	14
19	4157NAK*	Park, Signal, Automotive, Natural Amber, Krypton, (same as 4157NALL)	12.80 14.00	26.88 8.26	2.10 0.59	24.00 2.25	3,600 10,000	D.C. Wedge	2.120	1.100	C-6 C-6	14



[®] Two filaments in series

NOTE: CIM = Construction Industrial Machinery D.C. = Double Contact MP = Multipurpose Rt. = Right S.C. = Single Contact

***This part number is included for reference only and inventory may not be available.**

LINE NO.	LAMP NUMBER	PRIMARY APPLICATION	DESIGN VOLTS	DESIGN WATTS	DESIGN AMPS	APPROX. CANDLE-POWER	RATED AVERAGE LAB LIFE HOURS	BASE TYPE	MAXIMUM OVERALL LENGTH (inches)	LIGHT CENTER LENGTH (inches)	FILAMENT TYPE	FIG. NO.
GT-8 Bulb 1" (25.4mm) Diameter (Continued)												
1	4157NALL	Park, Signal, Automotive, Natural Amber, Krypton, (same as 4157NAK)	12.80 14.00	26.88 8.26	2.10 0.59	24.00 2.25	3,600 10,000	D.C. Wedge	2.120	1.100	C-6 C-6	14
2	3357NA	Signal, Automotive, Natural Amber	12.80 14.00	28.54 8.26	2.23 0.59	30.00 2.20	400 5,000	D.C. Wedge	2.120	1.100	C-6 C-6	14
3	3357NAK*	Park, Signal, Automotive, Natural Amber, Krypton, (same as 3357NALL)	12.80 14.00	28.54 8.26	2.23 0.59	30.00 2.20	800 10,000	D.C. Wedge	2.120	1.100	C-6 C-6	14
4	3357NALL	Park, Signal, Automotive, Natural Amber, Krypton, (same as 3357NAK)	12.80 14.00	28.54 8.26	2.23 0.59	30.00 2.20	800 10,000	D.C. Wedge	2.120	1.100	C-6 C-6	14
5	3457NA	Park, Signal, Automotive, Natural Amber	12.80 14.00	28.54 8.26	2.23 0.59	30.00 2.20	400 5,000	D.C. Wedge	2.120	1.100	C-6 C-6	14
6	3457NAK*	Park, Signal, Automotive, Natural Amber, Krypton, (same as 3457NALL)	12.80 14.00	28.54 8.26	2.23 0.59	30.00 2.20	800 10,000	D.C. Wedge	2.120	1.100	C-6 C-6	14
7	3457NALL	Park, Signal, Automotive, Natural Amber, Krypton, (same as 3457NAK)	12.80 14.00	28.54 8.26	2.23 0.59	30.00 2.20	800 10,000	D.C. Wedge	2.120	1.100	C-6 C-6	14
8	3057	Signal, Stop, Automotive	12.80 14.00	26.88 6.72	2.10 0.48	32.00 2.00	1,200 5,000	D.C. Wedge	2.120	1.100	C-6 C-6	14
9	3057K*	Signal, Stop, Automotive, Krypton, (same as 3057LL)	12.80 14.00	26.88 6.72	2.10 0.48	32.00 2.00	2,000 10,000	D.C. Wedge	2.120	1.100	C-6 C-6	14
10	3057LL	Signal, Stop, Automotive, Krypton, (same as 3057K)	12.80 14.00	26.88 6.72	2.10 0.48	32.00 2.00	2,000 10,000	D.C. Wedge	2.120	1.100	C-6 C-6	14
11	3156	Signal, Automotive	12.80	26.88	2.10	32.00	1,200	S.C. Wedge	2.120	1.100	C-6	13
12	3156K*	Signal, Automotive, Krypton, (same as 3156LL)	12.80	26.88	2.10	32.00	2,000	S.C. Wedge	2.120	1.100	C-6	13
13	3156LL	Signal, Automotive, Krypton, (same as 3156K)	12.80	26.88	2.10	32.00	2,000	S.C. Wedge	2.120	1.100	C-6	13
14	3157	Signal, Stop, Automotive	12.80 14.00	26.88 8.26	2.10 0.59	32.00 3.00	1,200 5,000	D.C. Wedge	2.120	1.100	C-6 C-6	14
15	3157K*	Signal, Stop, Automotive, Krypton, (same as 3157LL)	12.80 14.00	26.88 8.26	2.10 0.59	32.00 3.00	2,000 10,000	D.C. Wedge	2.120	1.100	C-6 C-6	14
16	3157LL	Signal, Stop, Automotive, Krypton, (same as 3157K)	12.80 14.00	26.88 8.26	2.10 0.59	32.00 3.00	2,000 10,000	D.C. Wedge	2.120	1.100	C-6 C-6	14

NOTE: CIM = Construction Industrial Machinery D.C. = Double Contact MP = Multipurpose Rt. = Right S.C. = Single Contact
***This part number is included for reference only and inventory may not be available.**

LINE NO.	LAMP NUMBER	PRIMARY APPLICATION	DESIGN VOLTS	DESIGN WATTS	DESIGN AMPS	APPROX. CANDLE-POWER	RATED AVERAGE LAB LIFE HOURS	BASE TYPE	MAXIMUM OVERALL LENGTH (inches)	LIGHT CENTER LENGTH (inches)	FILAMENT TYPE	FIG. NO.
GT-8 Bulb 1" (25.4mm) Diameter (Continued)												
1	4057LL	Signal and Marking, Automotive	12.80 14.00	28.50 6.72	2.23 0.48	32.00 2.00	4,000 10,000	D.C. Wedge	2.134	1.100	C-6 C-6	14
2	4114LL	Signal and Marking, Automotive	14.00 14.00	31.20 8.26	2.23 0.59	32.00 3.00	4,000 10,000	D.C. Wedge	2.134	1.100	C-6 C-6	14
3	4156K*	Signal, Automotive, Krypton, (same as 4156LL)	12.80	26.88	2.10	32.00	3,600	S.C. Wedge	2.120	1.100	C-6	13
4	4156LL*	Signal, Automotive, Krypton, (same as 4156K)	12.80	26.88	2.10	32.00	3,600	S.C. Wedge	2.120	1.100	C-6	13
5	4157K*	Signal, Stop, Automotive, Krypton, (same as 4157LL)	12.80 14.00	26.88 8.26	2.10 0.59	32.00 3.00	3,600 10,000	D.C. Wedge	2.120	1.100	C-6 C-6	14
6	4157LL	Signal, Stop, Automotive, Krypton, (same as 4157K)	12.80 14.00	26.88 8.26	2.10 0.59	32.00 3.00	3,600 10,000	D.C. Wedge	2.120	1.100	C-6 C-6	14
7	3357	Signal, Stop, Automotive	12.80 14.00	28.54 8.26	2.23 0.59	40.00 3.00	400 5,000	D.C. Wedge	2.120	1.100	C-6 C-6	14
8	3357K*	Signal, Stop, Automotive, Krypton, (same as 3357LL)	12.80 14.00	28.54 8.26	2.23 0.59	40.00 3.00	800 10,000	D.C. Wedge	2.120	1.100	C-6 C-6	14
9	3357LL	Signal, Stop, Automotive, Krypton, (same as 3357K)	12.80 14.00	28.54 8.26	2.23 0.59	40.00 3.00	800 10,000	D.C. Wedge	2.120	1.100	C-6 C-6	14
10	3456K*	Signal, Automotive, Krypton, (same as 3456LL)	12.80	28.54	2.23	40.00	800	S.C. Wedge	2.120	1.100	C-6	13
11	3456LL	Signal, Automotive, Krypton, (same as 3456K)	12.80	28.54	2.23	40.00	800	S.C. Wedge	2.120	1.100	C-6	13
12	3457	Signal, Stop, Automotive	12.80 14.00	28.54 8.26	2.23 0.59	40.00 3.00	400 5,000	D.C. Wedge	2.120	1.100	C-6 C-6	14
13	3457K*	Signal, Stop, Automotive, Krypton, (same as 3457LL)	12.80 14.00	28.54 8.26	2.23 0.59	40.00 3.00	800 10,000	D.C. Wedge	2.120	1.100	C-6 C-6	14
14	3457LL	Signal, Stop, Automotive, Krypton, (same as 3457K)	12.80 14.00	28.54 8.26	2.23 0.59	40.00 3.00	800 10,000	D.C. Wedge	2.120	1.100	C-6 C-6	14
RP-11♦ 1³/₈" (35mm) Diameter												
15	1021*	Hand Lantern	4.50	5.63	1.25	5.70	75	S.C. Prefocus	2.250	0.875	C-6	16
16	1183*	Automotive	5.50	34.38	6.25	50.00	100	S.C. Bayonet	2.250	1.250	C-2V	15
17	1184*	Automotive	5.50	34.38	6.25	50.00	100	D.C. Bayonet	2.250	1.250	C-2V	18
18	2331	Automotive	5.90 6.20	27.49 27.84	4.66 4.49	32.00 32.00	400 400	D.C. Prefocus	2.250	1.180	C-6 C-6	17
19	1501*	Automotive	5.90	37.52	6.36	50.00	200	S.C. Prefocus	2.250	0.875	C-6	16

♦While RP-11 bulb lamps are carefully inspected before shipment, the glass bulb may crack if excessive pressure is applied. For that reason, the use of a glove or cloth is recommended to grasp the bulb while inserting or removing these lamps in a tight fitting socket.

NOTE: CIM = Construction Industrial Machinery D.C. = Double Contact MP = Multipurpose Rt. = Right S.C. = Single Contact

***This part number is included for reference only and inventory may not be available.**



LINE NO.	LAMP NUMBER	PRIMARY APPLICATION	DESIGN VOLTS	DESIGN WATTS	DESIGN AMPS	APPROX. CANDLE-POWER	RATED AVERAGE LAB LIFE HOURS	BASE TYPE	MAXIMUM OVERALL LENGTH (inches)	LIGHT CENTER LENGTH (inches)	FILAMENT TYPE	FIG. NO.
RP-11♦ 1³/₈" (35mm) Diameter (Continued)												
1	1503*	Instrument	5.90	38.53	6.53	50.00	200	S.C. Prefocus	2.250	0.875	C-2V	16
2	1209*	Instrument	6.10	24.46	4.01	32.00	125	S.C. Prefocus	2.250	0.875	C-6	16
3	1000*	Automotive	6.20 6.20	24.18 24.18	3.90 3.90	32.00 32.00	125 125	D.C. Bayonet	2.250	1.250	C-2V C-2V	18
4	1022*	Automotive	6.20 6.40	28.40 17.41	4.58 2.72	32.00 21.00	300 200	D.C. Prefocus	2.250	1.125	C-2V C-6	17
5	1133	Instrument	6.20	24.24	3.91	32.00	200	S.C. Bayonet	2.250	1.250	C-2R	15
6	1134*	Automotive	6.20	24.24	3.91	32.00	200	D.C. Bayonet	2.250	1.250	C-2R	18
7	1321*	Automotive	6.20	24.80	4.00	32.00	200	S.C. Prefocus	2.250	0.875	C-6	16
8	1323*	Automotive	6.20	25.61	4.13	32.00	200	S.C. Prefocus	2.250	0.875	C-2V	16
9	2330*	Automotive	6.20 6.20	26.35 26.35	4.25 4.25	32.00 32.00	200 200	D.C. Prefocus	2.250	1.130	C-2V C-2V	17
10	1026*	Automotive	12.50 12.80	27.13 23.68	2.17 1.85	32.00 32.00	300 200	D.C. Prefocus	2.250	1.125	C-2V C-6	17
11	1124*	Automotive	12.50 12.50	24.00 24.00	1.92 1.92	32.00 32.00	300 300	D.C. Bayonet	2.250	1.250	C-2R C-2R	18
12	1143	Automotive	12.50	24.75	1.98	32.00	400	S.C. Bayonet	2.250	1.250	C-2R	15
13	1144*	Automotive	12.50	24.75	1.98	32.00	400	D.C. Bayonet	2.250	1.250	C-2R	18
14	1195	Automotive	12.50	37.50	3.00	50.00	300	S.C. Bayonet	2.250	1.250	C-2V	15
15	1196	Automotive	12.50	37.50	3.00	50.00	300	D.C. Bayonet	2.250	1.250	C-2V	18
16	1507*	Automotive	12.50	37.50	3.00	50.00	300	S.C. Prefocus	2.250	0.875	C-2V	16
17	1327*	Automotive	12.80	26.62	2.08	32.00	300	S.C. Prefocus	2.250	0.875	C-2V	16
18	1044*	Automotive	12.80 12.80	34.94 23.04	2.73 1.80	50.00 32.00	240 195	D.C. Prefocus	2.250	1.125	C-6 C-6	17
19	1074*	Automotive	12.80 14.00	34.94 7.14	2.73 0.51	50.00 4.00	240 2,000	D.C. Prefocus	2.250	0.875	C-6 C-2R	17
20	1145*	Automotive	22.00	21.12	0.96	27.00	100	S.C. Bayonet	2.250	1.250	C-2V	15
21	1047*	Aircraft	26.00	70.20	2.70	105.00	25	S.C. Bayonet	2.250	1.250	2CC-6	15
22	1062*	Emergency Lighting	40.00	36.80	0.92	50.00	100	D.C. Bayonet	2.250	1.250	C-5	18
S-8 Bulb 1" (25mm) Diameter												
23	1492	Instrument	2.50	3.75	1.50	—	15	D.C. Bayonet	2.000	0.940	S-2	25
24	1651	Hand Lantern, 4 F or 8 F Cells in series parallel	5.00	3.00	0.60	3.00	20	S.C. Bayonet	2.000	1.125	C-2R	20
25	1680*	Aircraft	6.00	24.60	4.10	32.00	300	S.C. Bayonet	2.000	1.250	C-6	20
26	1129	Automotive	6.40	16.83	2.63	21.00	200	S.C. Bayonet	2.000	1.250	C-6	20
27	1130*	Automotive	6.40	16.83	2.63	21.00	200	D.C. Bayonet	2.000	1.250	C-6	25
28	1154	Automotive	6.40 7.00	16.83 5.25	2.63 0.75	21.00 3.00	200 1,000	D.C. Index	2.000	1.250	C-6 C-6	21
29	1158	Automotive	6.40 7.00	16.83 5.25	2.63 0.75	21.00 3.00	200 1,000	D.C. Bayonet	2.000	1.250	C-6 C-6	21
30	1170*	Automotive	6.40 7.00	16.83 7.21	2.63 1.03	21.00 6.00	200 500	D.C. Bayonet	2.000	1.250	C-6 C-6	25
31	1605*	Instrument	6.40	17.22	2.69	21.00	200	S.C. Bayonet	2.000	1.250	C-2V	20
32	1493	Instrument	6.50	17.88	2.75	23.00	100	D.C. Bayonet	2.000	1.125	C-6	25
33	1630*	Instrument	6.50	17.88	2.75	23.00	100	D.C. Prefocus	2.000	1.000	C-6	22

♦While RP-11 bulb lamps are carefully inspected before shipment, the glass bulb may crack if excessive pressure is applied. For that reason, the use of a glove or cloth is recommended to grasp the bulb while inserting or removing these lamps in a tight fitting socket.

NOTE: CIM = Construction Industrial Machinery D.C. = Double Contact MP = Multipurpose Rt. = Right S.C. = Single Contact

***This part number is included for reference only and inventory may not be available.**

LINE NO.	LAMP NUMBER	PRIMARY APPLICATION	DESIGN VOLTS	DESIGN WATTS	DESIGN AMPS	APPROX. CANDLE-POWER	RATED AVERAGE LAB LIFE HOURS	BASE TYPE	MAXIMUM OVERALL LENGTH (inches)	LIGHT CENTER LENGTH (inches)	FILAMENT TYPE	FIG. NO.
S-8 Bulb 1" (25mm) Diameter (Continued)												
1	87	Automotive	6.75	12.89	1.91	15.00	300	S.C. Bayonet	2.000	1.125	C-2R	20
2	88	Indicator	6.75	12.89	1.91	15.00	300	D.C. Bayonet	2.000	1.125	C-6	25
3	17881	Signal, Stop, Automotive	12.00 12.00	21.00 4.00	1.75 0.33	35.00 1.20	150 1500	BAZ15d	2.095	1.250	C-6 C-6	85
4	17916	Signal, Stop, Automotive	12.00 12.00	21.00 5.00	1.75 0.42	35.00 1.20	150 1500	BAY15d	2.095	1.250	C-6 C-6	86
5	17635	Signal, Stop, Automotive	12.00	21.00	1.75	37.00	150	BA15s	2.095	1.250	C-6	84
6	17638NA	Signal, Automotive, Natural Amber	12.00	21.00	1.75	37.00	300	BAU15s	2.095	1.250	C-6	110
7	1295NA	Signal, Automotive	12.50	37.50	3.00	37.00	200	S.C. Bayonet	2.000	1.250	C-2R	20
8	1295	Automotive	12.50	37.50	3.00	50.00	300	S.C. Bayonet	2.000	1.250	C-2R	20
9	93	Automotive	12.80	13.31	1.04	15.00	500	S.C. Bayonet	2.000	1.125	C-2R	20
10	94	Automotive, Marine	12.80	13.31	1.04	15.00	500	D.C. Bayonet	2.000	1.125	C-6	25
11	1093*	Automotive	12.80	15.23	1.19	15.00	1,000	S.C. Bayonet	2.000	1.125	C-2R	20
12	1034A*	Park, Signal, Automotive, Translucent Outside Amber Coating	12.80 14.00	23.04 8.26	1.80 0.59	18.00 1.70	200 5,000	D.C. Index	2.000	1.250	C-6 C-6	21
13	1157A*	Park, Signal, Automotive, Translucent Outside Amber Coating	12.80 14.00	26.88 8.26	2.10 0.59	18.00 1.70	1,200 5,000	D.C. Index	2.000	1.250	C-6 C-6	21
14	1005*	Automotive	12.80 12.80	16.77 16.77	1.31 1.31	21.00 21.00	300 300	D.C. Bayonet	2.000	1.250	C-2R C-2R	25
15	1016	Automotive	12.80 14.00	17.15 8.26	1.34 0.59	21.00 6.00	200 1,000	D.C. Index	2.000	1.250	C-6 C-6	21
16	1034NA*	Park, Signal, Automotive, Natural Amber	12.80 14.00	23.04 8.26	1.80 0.59	21.00 2.20	200 5,000	D.C. Index	2.000	1.250	C-6 C-6	21
17	1141	Automotive	12.80	18.43	1.44	21.00	500	S.C. Bayonet	2.000	1.250	C-6	20
18	1141LL	Automotive, Krypton	12.80	18.43	1.44	21.00	1,000	S.C. Bayonet	2.000	1.250	C-6	20
19	1142	Automotive	12.80	18.43	1.44	21.00	500	D.C. Bayonet	2.000	1.250	C-6	25
20	1159	Automotive, Fleet Duty	12.80	20.48	1.60	21.00	1,500	S.C. Bayonet	2.000	1.250	C-6	20
21	1176	Automotive	12.80 14.00	17.15 8.26	1.34 0.59	21.00 6.00	200 1,000	D.C. Bayonet	2.000	1.250	C-2R C-2R	25
22	1168*	Automotive	12.80	18.30	1.43	21.00	500	D.C. Prefocus	2.000	1.125	C-6	22
23	1156NA	Signal, Automotive, Natural Amber	12.80	26.88	2.10	24.00	1,200	S.C. Bayonet	2.000	1.250	C-6	20
24	1157NA	Park, Signal, Automotive, Natural Amber	12.80 14.00	26.88 8.26	2.10 0.59	24.00 2.20	1,200 5,000	D.C. Index	2.000	1.250	C-6 C-6	21
25	1157NALL	Park, Signal, Automotive, Krypton	12.80 14.00	26.88 8.26	2.10 0.59	24.00 2.20	2,000 10,000	D.C. Index	2.000	1.250	C-6 C-6	21



NOTE: CIM = Construction Industrial Machinery D.C. = Double Contact MP = Multipurpose Rt. = Right S.C. = Single Contact
***This part number is included for reference only and inventory may not be available.**

LINE NO.	LAMP NUMBER	PRIMARY APPLICATION	DESIGN VOLTS	DESIGN WATTS	DESIGN AMPS	APPROX. CANDLE-POWER	RATED AVERAGE LAB LIFE HOURS	BASE TYPE	MAXIMUM OVERALL LENGTH (inches)	LIGHT CENTER LENGTH (inches)	FILAMENT TYPE	FIG. NO.
S-8 Bulb 1" (25mm) Diameter (Continued)												
1	2057NA	Park, Signal, Automotive, Natural Amber	12.80 14.00	26.88 6.86	2.10 0.49	24.00 1.50	1,200 5,000	D.C. Index	2.000	1.250	C-6 C-6	21
2	2057NALL	Park, Signal, Automotive, Natural Amber, Krypton	12.80 14.00	26.88 6.86	2.10 0.49	24.00 1.50	2,000 10,000	D.C. Index	2.000	1.250	C-6 C-6	21
3	3157NA-SA	Signal, Automotive, Natural Amber	12.80 14.00	26.88 8.26	2.10 0.59	24.00 2.20	1,200 5,000	D.C. Wedge	2.090	1.100	C-6 C-6	19
4	2357NA	Automotive, Natural Amber	12.80 14.00	28.54 8.26	2.23 0.59	30.00 2.25	400 5,000	D.C. Index	2.000	1.250	C-6 C-6	21
5	198	Signal, Stop, Fleet Duty	12.80 14.00	28.80 8.26	2.25 0.59	32.00 3.00	1,200 5,000	D.C. Index	2.000	1.250	C-6 C-6	21
6	199	Signal, Fleet Duty	12.80	28.80	2.25	32.00	1,200	S.C. Bayonet	2.000	1.250	C-6	20
7	1034	Signal, Stop, Tail, Automotive	12.80 14.00	23.04 8.26	1.80 0.59	32.00 3.00	200 5,000	D.C. Index	2.000	1.250	C-6 C-6	21
8	1073	Signal, Automotive	12.80	23.04	1.80	32.00	200	S.C. Bayonet	2.000	1.250	C-6	20
9	1076	Automotive	12.80	23.04	1.80	32.00	200	D.C. Bayonet	2.000	1.250	C-6	25
10	1156	Signal, Automotive	12.80	26.88	2.10	32.00	1,200	S.C. Bayonet	2.000	1.250	C-6	20
11	1156DC	Swing Out Stop Arm, School Bus	12.80	26.88	2.10	32.00	1,200	D.C. Bayonet	2.000	1.250	C-6	25
12	1156LL	Signal, Automotive, Krypton	12.80	26.88	2.10	32.00	2,000	S.C. Bayonet	2.000	1.250	C-6	20
13	1157	Signal, Stop, Automotive	12.80 14.00	26.88 8.26	2.10 0.59	32.00 3.00	1,200 5,000	D.C. Index	2.000	1.250	C-6 C-6	21
14	1157LL	Signal, Stop, Automotive, Krypton	12.80 14.00	26.88 8.26	2.10 0.59	32.00 3.00	2,000 10,000	D.C. Index	2.000	1.250	C-6 C-6	21
15	2057	Signal, Stop, Automotive	12.80 14.00	26.88 6.86	2.10 0.49	32.00 2.00	1,200 5,000	D.C. Index	2.000	1.250	C-6 C-6	21
16	2057LL	Signal, Stop, Automotive, Krypton	12.80 14.00	26.88 6.86	2.10 0.49	32.00 2.00	2,000 10,000	D.C. Index	2.000	1.250	C-6 C-6	21
17	2144*	Automotive	12.80	26.88	2.10	32.00	1,200	Wire Lead	1.750	—	C-6	23
18	2242*	Signal, Stop, Automotive	12.80 14.00	26.88 8.26	2.10 0.59	32.00 3.00	1,200 5,000	Wire Lead	1.750	—	C-6 C-6	24
19	3157-SA	Signal, Stop, Automotive	12.80 14.00	26.88 8.26	2.10 0.59	32.00 3.00	1,200 5,000	D.C. Wedge	2.090	1.100	C-6 C-6	19
20	2357	Automotive	12.80 14.00	28.54 8.26	2.23 0.59	40.00 3.00	400 5,000	D.C. Index	2.000	1.250	C-6 C-6	21
21	2357LL	Signal, Stop, Automotive, Krypton	12.80 14.00	28.54 8.26	2.23 0.59	40.00 3.00	800 10,000	D.C. Index	2.000	1.250	C-6 C-6	21
22	2396	Stop, Automotive	12.80	28.54	2.23	40.00	400	S.C. Bayonet	2.000	1.250	C-6	20
23	2397	Signal, Stop, Automotive	12.80 14.00	28.54 6.72	2.23 0.48	40.00 2.00	400 5,000	D.C. Index	2.000	1.250	C-6 C-6	21
24	1095*	Automotive	14.00	7.14	0.51	4.00	5,000	S.C. Bayonet	2.000	1.250	C-6	20
25	17925	Signal, Stop, Automotive	24.00 24.00	21.00 5.00	0.88 0.21	35.00 3.00	150 1,500	BAY15d	2.095	1.250	C-6 C-6	86
26	17643	Signal, Stop, Automotive	24.00	21.00	0.88	37.00	150	BA15s	2.095	1.250	C-6	84

NOTE: CIM = Construction Industrial Machinery D.C. = Double Contact MP = Multipurpose Rt. = Right S.C. = Single Contact
***This part number is included for reference only and inventory may not be available.**

LINE NO.	LAMP NUMBER	PRIMARY APPLICATION	DESIGN VOLTS	DESIGN WATTS	DESIGN AMPS	APPROX. CANDLE-POWER	RATED AVERAGE LAB LIFE HOURS	BASE TYPE	MAXIMUM OVERALL LENGTH (inches)	LIGHT CENTER LENGTH (inches)	FILAMENT TYPE	FIG. NO.
S-8 Bulb 1" (25mm) Diameter (Continued)												
1	1665IF*	Aircraft, Inside Frosted	28.00	22.40	0.80	—	1,000	S.C. Bayonet	2.000	—	C-2V	20
2	16911F*	Aircraft, Inside Frosted	28.00	17.08	0.61	—	1,000	S.C. Bayonet	2.000	—	2C-2R [ⓐ]	20
3	305	Aircraft	28.00	14.28	0.51	15.00	300	S.C. Bayonet	2.000	1.125	C-2V	20
4	306*	Aircraft	28.00	14.28	0.51	15.00	300	D.C. Bayonet	2.000	1.125	C-2V	25
5	1591	Automotive	28.00	17.08	0.61	15.00	1,000	S.C. Bayonet	2.000	1.125	C-2V	20
6	1691	Aircraft	28.00	17.08	0.61	15.00	1,000	S.C. Bayonet	2.000	1.125	2C-2R [ⓐ]	20
7	1692*	Marine	28.00	17.08	0.61	15.00	1,000	D.C. Bayonet	2.000	1.125	2C-2R [ⓐ]	25
8	307	Aircraft	28.00	18.76	0.67	21.00	300	S.C. Bayonet	2.000	1.125	C-2V	20
9	308	Aircraft	28.00	18.76	0.67	21.00	300	D.C. Bayonet	2.000	1.125	C-2V	25
10	1203	Automotive	28.00	19.88	0.71	21.00	400	S.C. Bayonet	2.000	1.250	C-2V	20
11	1204*	Automotive	28.00	19.88	0.71	21.00	400	D.C. Bayonet	2.000	1.250	C-2V	25
12	1665*	Aircraft	28.00	22.40	0.80	21.00	1,000	S.C. Bayonet	2.000	1.125	C-2V	20
13	315*	Aircraft	28.00	25.20	0.90	32.00	300	S.C. Bayonet	2.000	1.125	C-2V	20
14	1638	Marine	28.00	28.56	1.02	32.00	500	D.C. Bayonet	2.000	1.125	2C-6 [ⓐ]	25
15	1662	Aircraft, Automotive, CIM, Filament Wiring Reverse of 1157	28.00 28.00	26.04 9.52	0.93 0.34	32.00 6.00	400 1,000	D.C. Index	2.000	1.125	CC-6 C-2V	21
16	1683	Aircraft, Automotive	28.00	28.56	1.02	32.00	500	S.C. Bayonet	2.000	1.250	2C-2R [ⓐ]	20
S-11 Bulb 1 3/8" (35mm) Diameter												
17	6260S	Auxiliary, Off-Road, Snowmobile	12.00 12.00	60.00 60.00	5.00 5.00	90.00 90.00	100 100	P36t	2.913	1.125	C-6 C-2V	87
18	309*	Aircraft	28.00	25.20	0.90	32.00	300	S.C. Bayonet	2.375	1.250	C-2V	26
19	311*	Aircraft	28.00	36.12	1.29	50.00	300	S.C. Bayonet	2.375	1.250	C-2V	26
T-1 3/4 Bulb 7/32" (5.5mm) Diameter												
20	331*	Indicator	1.35	0.08	0.06	0.01	500	S.C. Midget Flanged	0.625	0.375	S-2	29
21	268*	Instrument	2.50	0.88	0.35	0.20	10,000	S.C. Midget Flanged	0.625	0.440	C-2R	29
22	4 [ⓐ] *	Indicator	2.50	1.00	0.40	800 ft-C	3,000	Midget Grooved	0.813	—	C-2R	28
23	4S [ⓐ] *	Indicator	2.50	1.00	0.40	1250 ft-C	3,000	Midget Grooved	0.813	—	C-2R	28
24	1748 [ⓐ] *	Instrument	2.50	1.00	0.40	800 ft-C	3,000	Wire Lead	0.750	—	C-2R	30
25	1748S [ⓐ] *	Instrument	2.50	1.00	0.40	1250 ft-C	3,000	Wire Lead	0.750	—	C-2R	30
26	EN1748 [ⓐ] *	Instrument	2.50	1.00	0.40	800 ft-C	3,000	Encapsulated	0.940	—	C-2R	27
27	EN1748S [ⓐ] *	Instrument	2.50	1.00	0.40	1250 ft-C	3,000	Encapsulated	0.940	—	C-2R	27
28	2305RA*	Special Service	6.00	0.24	0.04	0.03	10,000	Encapsulated	0.600	—	C-2V	31
29	345*	Indicator	6.00	0.24	0.04	0.03	10,000	S.C. Midget Flanged	0.625	0.375	C-2V	29
30	328*	Aircraft	6.00	1.20	0.20	0.34	1,000	S.C. Midget Flanged	0.625	0.375	C-2R	29

ⓐ Through 3/16" minimum diameter window at 3/8" from lamp tip. ⓑ Through 1/8" minimum diameter window at 3/8" from lamp tip.

ⓓ Two filaments in series

NOTE: CIM = Construction Industrial Machinery D.C. = Double Contact MP = Multipurpose Rt. = Right S.C. = Single Contact

***This part number is included for reference only and inventory may not be available.**



LINE NO.	LAMP NUMBER	PRIMARY APPLICATION	DESIGN VOLTS	DESIGN WATTS	DESIGN AMPS	APPROX. CANDLE-POWER	RATED AVERAGE LAB LIFE HOURS	BASE TYPE	MAXIMUM OVERALL LENGTH (inches)	LIGHT CENTER LENGTH (inches)	FILAMENT TYPE	FIG. NO.
T-1$\frac{3}{4}$ Bulb $\frac{7}{32}$" (5.5mm) Diameter (Continued)												
1	86*	Indicator	6.30	1.26	0.20	0.40	20,000	Wedge	0.800	0.400	C-2F	32
2	350*	Aircraft	6.30	0.95	0.15	0.40	3,000	S.C. Midget Flanged	0.625	0.375	C-2R	29
3	381*	Indicator	6.30	1.26	0.20	0.40	20,000	S.C. Midget Flanged	0.625	0.375	C-2F	29
4	2181*	Indicator	6.30	1.26	0.20	0.40	20,000	Wire Lead	0.520	_	C-2F	74
5	2112	Indicator	6.30	1.26	0.20	0.50	3,000	Wire Lead	0.520	_	C-2R	74
6	344*	Indicator	10.00	0.14	0.01	0.00	5,000	S.C. Midget Flanged	0.625	0.375	C-2F	29
7	367*	Indicator	10.00	0.40	0.04	0.10	5,000	S.C. Midget Flanged	0.625	0.375	C-2V	29
8	2309*	Special Service	10.00	0.40	0.04	0.10	5,000	Encapsulated	0.600	_	C-2V	31
9	384*	Indicator	11.00	0.28	0.03	0.05	2,000	S.C. Midget Flanged	0.625	_	C-2F	29
10	394*	Indicator	12.00	0.48	0.04	0.10	10,000	S.C. Midget Flanged	0.625	0.375	C-2F	29
11	17035	Instrument	12.00	1.20	0.10	0.48	1,000	BAX10ds	0.925	_	C-2V	88
12	17036	Indicator	12.00	1.20	0.10	0.48	1,000	BAX10ss	0.925	_	C-2V	89
13	17037	Indicator	12.00	1.20	0.10	0.48	1,000	W2x4.6d	0.780	0.570	C-2V	90
14	2723	Automotive	12.00	2.40	0.20	1.50	1,100	W2x4.6d	0.780	0.570	C-2V	90
15	17	Aircraft	28.00	1.82	0.07	0.65	500	Wedge	0.800	0.400	C-2F	32
16	18*	Automotive	14.00	0.56	0.04	0.13	5,000	Wedge	0.800	0.400	C-2F	32
17	73	Indicator	14.00	1.12	0.08	0.30	15,000	Wedge	0.800	0.400	C-2F	32
18	382	Indicator	14.00	1.12	0.08	0.30	50,000	S.C. Midget Flanged	0.625	0.375	C-2F	29
19	386	Indicator	14.00	1.12	0.08	0.30	40,000	Midget Grooved	0.625	0.375	C-2F	28
20	37	Automotive	14.00	1.26	0.09	0.50	2,500	Wedge	0.800	0.400	C-2F	32
21	PC37	Automotive	14.00	1.26	0.09	0.50	2,500	Printed Circuit	0.842	0.315	C-2F	33
22	330	Aircraft	14.00	1.12	0.08	0.50	750	S.C. Midget Flanged	0.625	0.375	C-2F	29
23	2162*	Indicator	14.00	1.40	0.10	0.50	10,000	Wire Lead	0.520	_	C-2F	74
24	74	Automotive	14.00	1.40	0.10	0.70	1,000	Wedge	0.800	0.400	C-2F	32
25	PC74	Automotive	14.00	1.40	0.10	0.70	1,000	Printed Circuit	0.842	0.315	C-2F	33
26	PC74S*	Automotive	14.00	1.40	0.10	0.70	1,000	Printed Circuit	0.842	0.315	C-2F	33
27	70	Automotive	14.00	2.10	0.15	1.50	100	Wedge	0.800	0.400	C-2F	32
28	11009	Courtesy, Dome	14.40	1.73	0.12	1.00	500	BA7s	0.748	_	_	34
29	370*	Indicator	18.00	0.72	0.04	0.15	10,000	S.C. Midget Flanged	0.625	0.375	C-2F	29
30	346*	Indicator	18.00	0.72	0.04	0.25	1,000	Midget Grooved	0.625	0.375	C-2F	28
31	17040	Automotive	24.00	1.20	0.05	0.48	1,000	W2x4.6d	0.780	0.570	C-2V	90
32	17061	Courtesy, Dome	24.00	3.12	0.13	0.60	200	BA7s	0.812	0.470	C-7A	34
33	327R*	Aircraft, Red	28.00	1.12	0.04	_	4,000	S.C. Midget Flanged	0.625	_	C-2F	29
34	85	Indicator	28.00	1.12	0.04	0.30	10,000	Wedge	0.800	0.400	C-2F	32
35	387	Indicator	28.00	1.12	0.04	0.30	25,000	S.C. Midget Flanged	0.625	0.375	C-2F	29
36	388*	Indicator	28.00	0.11	0.00	0.30	7,000	Midget Grooved	0.625	0.375	C-2F	28
37	327	Aircraft	28.00	1.12	0.04	0.33	4,000	S.C. Midget Flanged	0.625	0.375	C-2F	29
38	327X [ⓧ] *	Indicator	28.00	1.29	0.05	0.33	2,500	S.C. Midget Flanged	0.625	0.375	C-2F	29
39	334*	Aircraft	28.00	1.12	0.04	0.33	1,000	Midget Grooved	0.625	0.375	C-2F	28
40	2329*	Special Service	28.00	1.40	0.05	0.34	2,500	Encapsulated	0.600	_	C-2F	31
T-2$\frac{1}{4}$ Bulb $\frac{9}{32}$" (7.5mm) Diameter												
41	3886LL	Interior Automotive	12.00	6.00	0.50	6.36	3000	Ba9s	1.078	0.590	C-2R	93

ⓧ "X" is a special variant.

NOTE: CIM = Construction Industrial Machinery D.C. = Double Contact MP = Multipurpose Rt. = Right S.C. = Single Contact

***This part number is included for reference only and inventory may not be available.**

LINE NO.	LAMP NUMBER	PRIMARY APPLICATION	DESIGN VOLTS	DESIGN WATTS	DESIGN AMPS	APPROX. CANDLE-POWER	RATED AVERAGE LAB LIFE HOURS	BASE TYPE	MAXIMUM OVERALL LENGTH (inches)	LIGHT CENTER LENGTH (inches)	FILAMENT TYPE	FIG. NO.
T-2¼ Bulb ⅜" (7.5mm) Diameter (Continued)												
1	882	Instrument, Automotive, Halogen	12.80	4.48	0.35	3.80	1,500	Printed Circuit	1.180	0.370	C-6	35
2	2040	Center Grille, Automotive, Halogen	12.80	8.00	0.63	10.50	500	Wedge	1.250	0.400	C-6	36
3	891	High Mounted Stop, Automotive, Halogen	12.80	8.00	0.63	11.00	500	G-4 Two Pin	1.000	0.760	C-6	37
4	13050	Courtesy, Dome	13.00	4.94	0.38	3.00	1,000	SV7	1.142	—	—	38
5	2033*	Automotive, Halogen	13.50	3.00	0.22	2.50	2,000	Printed Circuit	1.125	0.400	CC-6	35
6	PC118	Automotive	14.00	1.68	0.12	0.70	4,000	Printed Circuit	0.984	0.406	C-2V	72
7	PC119	Automotive	14.00	2.10	0.15	1.20	3,000	Printed Circuit	0.984	0.406	C-2V	72
8	11006	Courtesy, Dome	14.00	3.36	0.24	2.00	1,000	SV7	1.102	—	—	39
9	936	Automotive	14.40	1.73	0.12	1.00	2,000	Wedge	0.900	0.450	C-2V	73
10	17104	Courtesy, Dome	24.00	3.00	0.13	1.20	200	SV7	1.024	—	C-8	91
T-2½ Bulb ⅝" (8.5mm) Diameter												
11	17833	Interior/Signal	12.00	10.00	0.83	15.91	200	Ba9s	1.290	0.590	C-6	75
12	1255/H1	Auxiliary, Off-Road, Type H1, Halogen	12.00	55.00	4.58	129.00	300	P14.5s	2.430	0.980	C-8	40
13	1255/H1LL	Fog/Driving Long Life	13.20	62.00	4.70	123.00	600	P14.5s	—	0.984	C-8	40
14	1210/H1	Auxiliary, Off-Road, Type H1, Halogen	12.00	100.00	8.33	217.00	50	Px14.5s	2.430	0.980	C-8	40
15	1213/H1	Auxiliary, Off-Road, Type H1, Halogen	12.00	130.00	10.82	282.00	35	P14.5s	2.430	0.980	C-8	40
16	2470/H1	Auxiliary, Off-Road, Type H1, Halogen	24.00	70.00	2.92	225.00	225	P14.5s	2.430	0.980	C-8	40
T-2¾ Bulb 1⅜" (8.7mm) Diameter												
17	17053	Indicator	12.00	2.00	0.17	1.00	200	BA9s	0.932	0.511	C-2V	92
18	17131	Indicator	12.00	4.00	0.33	2.80	300	BA9s	1.078	0.590	C-2R	93
19	47830	Map, Halogen	12.00	5.00	0.39	6.70	240	BA9s	1.290	0.590	C-6	75
20	68161	Parking, Halogen	12.00	6.00	0.50	10.00	500	BAX9s	1.290	0.590	C-6	75
21	47835	High Mounted Stop, Halogen	12.00	20.00	1.56	37.50	240	BA9s	1.290	0.590	C-6	75
22	68191	High Mounted Stop, Halogen	12.00	21.00	1.75	47.80	100	BAY9s	1.850	0.787	C-6	
23	24NA	Side Marker, Automotive, Natural Amber	14.00	3.36	0.24	1.50	1,500	Wedge	0.860	0.460	C-2V	41
24	24	Side Marker, Automotive	14.00	3.36	0.24	2.00	1,500	Wedge	0.860	0.460	C-2V	41
25	17063	Indicator	24.00	2.00	0.08	1.35	200	BA9s	0.932	0.511	C-8	92
26	17141	Indicator	24.00	4.00	0.17	2.80	300	BA9s	1.078	0.590	C-8	93
T-3 Bulb ⅜" (9.5mm) Diameter												
27	112	Flashlight, 1 AA Cell	1.20	0.26	0.22	Ⓜ	5	Miniature Screw	0.940	—	S-2	45



Ⓜ End foot candles

NOTE: CIM = Construction Industrial Machinery D.C. = Double Contact MP = Multipurpose Rt. = Right S.C. = Single Contact

***This part number is included for reference only and inventory may not be available.**

LINE NO.	LAMP NUMBER	PRIMARY APPLICATION	DESIGN VOLTS	DESIGN WATTS	DESIGN AMPS	APPROX. CANDLE-POWER	RATED AVERAGE LAB LIFE HOURS	BASE TYPE	MAXIMUM OVERALL LENGTH (inches)	LIGHT CENTER LENGTH (inches)	FILAMENT TYPE	FIG. NO.
T-3 Bulb $\frac{3}{8}$" (9.5mm) Diameter (Continued)												
1	222	Flashlight, 2 AA Cells	2.25	0.56	0.25	①	5	Miniature Screw	0.940	_	C-2R	45
2	1255/H2	Auxiliary, Off-Road, Type H2, Halogen	12.00	55.00	4.58	150.00	225	X511	1.200	0.480	C-8	42
3	1210/H2	Auxiliary, Off-Road, Type H2, Halogen	12.00	100.00	8.33	239.00	100	X511	1.200	0.480	C-8	42
4	1213/H2	Auxiliary, Off-Road, Type H2, Halogen	12.00	130.00	10.82	311.00	70	X511	1.200	0.480	C-8	42
5	567	Automotive	12.80	9.98	0.78	9.00	1,000	Rigid Loop	1.720	_	C-8	44
6	578	Automotive	12.80	9.98	0.78	9.00	1,000	Double End Caps	1.720	_	C-8	43
7	211-2	Automotive	12.80	12.42	0.97	12.00	1,000	Double End Cap	1.720	_	C-8	43
8	561	Automotive	12.80	12.42	0.97	12.00	1,000	Rigid Loop	1.720	_	C-8	44
9	214-2	Automotive	13.50	7.02	0.52	4.00	1,000	Double End Cap	1.720	_	C-8	43
10	563	Automotive	13.50	7.02	0.52	4.00	1,000④	Rigid Loop	1.720	_	C-8	44
11	212-2	Automotive	13.50	9.99	0.74	6.00	5,000	Double End Cap	1.720	_	C-8	43
12	562	Automotive	13.50	9.99	0.74	6.00	2,000④	Rigid Loop	1.720	_	C-8	44
13	566*	Automotive	14.00	5.04	0.36	1.00	2,000	Rigid Loop	1.720	_	C-8	44
14	560	Automotive	14.00	6.16	0.44	2.00	5,000	Double End Cap	1.720	_	C-8	43
15	564	Automotive	14.00	6.16	0.44	2.00	5,000	Rigid Loop	1.720	_	C-8	44
16	1477*	Indicator	24.00	4.08	0.17	3.30	250	Miniature Screw	1.250	0.810	C-2V	45
17	2470/H2	Auxiliary, Off-Road, Type H2, Halogen	24.00	70.00	2.92	179.00	150	X511	1.200	0.480	C-8	42
18	D2R	Headlamp, Replaceable Capsule, HID (High Intensity Discharge), Low Beam, Xenon	85.00	35.00	0.41	222.75	1500	Special	2.067	1.067	None	
19	D2S	Headlamp, Replaceable Capsule, HID (High Intensity Discharge), Low Beam, Xenon	85.00	35.00	0.41	254.57	1500	Special	2.067	1.067	None	
T-3$\frac{1}{4}$ Bulb $\frac{13}{32}$" (10mm) Diameter												
20	1809*	Special Service	2.00	0.12	0.06	0.02	1,000	Miniature Bayonet	1.188	0.750	C-6	46
21	49*	Radio	2.00	0.12	0.06	0.04	1,000	Miniature Bayonet	1.188	0.720	S-2	46
22	42*	Radio	3.20	1.12	0.35	0.50	3,000	Miniature Screw	1.188	0.969	C-2R	47
23	45*	Radio	3.20	1.12	0.35	0.50	3,000	Miniature Bayonet	1.188	0.781	C-2R	46
24	1850	Signal	5.00	0.45	0.09	0.25	1,500	Miniature Bayonet	1.188	0.625	C-2R	46
25	755	Indicator	6.30	0.95	0.15	0.33	50,000	Miniature Bayonet	1.188	0.781	C-2R	46
26	159*	Indicator	6.30	0.95	0.15	0.34	5,000+	Wedge	1.052	0.500	C-2R	49
27	1847	Radio, TV	6.30	0.95	0.15	0.38	20,000	Miniature Bayonet	1.188	0.781	C-2R	46
28	40*	Radio	6.30	0.95	0.15	0.50	3,000	Miniature Screw	1.190	0.970	C-2R	47
29	47	Radio, TV	6.30	0.95	0.15	0.52	3,000	Miniature Bayonet	1.188	0.781	C-2R	46
30	447*	Indicator	6.30	0.95	0.15	0.52	1,500	Wedge	1.052	0.560	C-2V	49

④ At 14 Volts ① End foot candles

NOTE: CIM = Construction Industrial Machinery D.C. = Double Contact MP = Multipurpose Rt. = Right S.C. = Single Contact

***This part number is included for reference only and inventory may not be available.**

LINE NO.	LAMP NUMBER	PRIMARY APPLICATION	DESIGN VOLTS	DESIGN WATTS	DESIGN AMPS	APPROX. CANDLE-POWER	RATED AVERAGE LAB LIFE HOURS	BASE TYPE	MAXIMUM OVERALL LENGTH (inches)	LIGHT CENTER LENGTH (inches)	FILAMENT TYPE	FIG. NO.
T-3¼ Bulb 13/32" (10mm) Diameter (Continued)												
1	259	Radio	6.30	1.58	0.25	0.65	5,000+	Wedge	1.052	0.688	C-2R	49
2	44	Radio, TV	6.30	1.58	0.25	0.90	3,000	Miniature Bayonet	1.188	0.781	C-2R	46
3	46	Radio, TV	6.30	1.58	0.25	0.90	3,000	Miniature Screw	1.188	0.969	C-2R	47
4	555*	Coin Machine	6.30	1.58	0.25	0.90	3,000	Wedge	1.060	0.650	C-6	49
5	147	Indicator	7.00	3.01	0.43	2.00	1,500	Wedge	1.052	0.500	C-2R	49
6	280*	Signal	10.00	1.30	0.13	0.85	250	Wedge	1.062	0.563	C-2V	49
7	1408	Signal	10.00	1.30	0.13	0.85	250	Miniature Bayonet	1.190	0.620	C-2V	46
8	17097	Indicator	12.00	3.00	0.25	1.76	1,000	W2.1x9.5d	1.054	0.500	C-2V	94
9	17177	Indicator	12.00	5.00	0.42	4.00	300	W2.1x9.5d	1.054	0.500	C-2R	95
10	3652	Signal, Automotive, Krypton	12.00	5.00	0.42	6.00	3,000	W2.1x9.5d	1.054	0.500	C-2R	95
11	70711	Automotive, Halogen	12.00	5.00	0.42	6.00	240	Wedge	0.986	0.500	C-6	96
12	2827NA*	Side Marker, Automotive, Natural Amber	12.00	5.00	0.42	3.00	300	W2.1x9.5d	1.054	0.500	C-2R	95
13	17314	Interior, License Plate	12.00	10.00	0.83	8.00	200	SV8.5	1.610	—	C-8	97
14	1235/H3	Auxiliary, Off-Road, Type H3, Halogen	12.00	35.00	2.92	103.00	400	PKZ22s	1.650	0.700	C-6	51
15	1255/H3A	Auxiliary, Off-Road, Type H3, Gold, Halogen	12.00	55.00	4.58	115.00	450	PK22s	1.650	0.700	C-6	51
16	1255/H3C	Auxiliary, Automotive, Type H3, Halogen	12.00	55.00	4.58	115.00	450	P22a	2.500	0.700	C-6	98
17	1255/H3	Auxiliary, Off-Road, Type H3, Halogen	12.00	55.00	4.58	121.00	450	PK22s	1.650	0.700	C-6	51
18	1210/H3	Auxiliary, Off-Road, Type H3, Halogen	12.00	100.00	8.33	192.00	50	PKY22s	1.650	0.700	C-6	51
19	1213/H3	Auxiliary, Off-Road, Type H3, Halogen	12.00	130.00	10.82	250.00	35	PK22s	1.650	0.700	C-6	51
20	892*	Signal, Automotive, Halogen	12.80	16.00	1.25	28.00	300	Axial Plastic	2.680	1.000	C-6	53
21	880	Fog, Automotive, Shielded, Halogen	12.80	26.88	2.10	43.00	300	Axial Plastic Prefocus	2.680	1.250	C-6	52
22	881	Fog, Automotive, Shielded, Halogen	12.80	26.88	2.10	43.00	300	Right Angle Plastic Prefocus	2.680	1.250	C-6	71
23	884	Special Application, Halogen	12.80	26.88	2.10	43.00	300	Axial Plastic	2.680	1.250	C-6	53
24	889	Signal, Automotive, Halogen	12.80	49.92	3.90	43.00	300	Right Angle Plastic	2.680	1.250	C-6	54
25	890	Signal, Automotive, Halogen	12.80	26.88	2.10	43.00	300	Axial Plastic	2.680	1.000	C-6	53



NOTE: CIM = Construction Industrial Machinery D.C. = Double Contact MP = Multipurpose Rt. = Right S.C. = Single Contact
***This part number is included for reference only and inventory may not be available.**

LINE NO.	LAMP NUMBER	PRIMARY APPLICATION	DESIGN VOLTS	DESIGN WATTS	DESIGN AMPS	APPROX. CANDLE-POWER	RATED AVERAGE LAB LIFE HOURS	BASE TYPE	MAXIMUM OVERALL LENGTH (inches)	LIGHT CENTER LENGTH (inches)	FILAMENT TYPE	FIG. NO.
T-3¼ Bulb 1³/₃₂" (10mm) Diameter (Continued)												
1	HM201	Off Road/ATV Hi Type H6M Lo	12.80 12.80	30.00 30.00	2.50 2.50	53.70 39.80	300 320	P15d1	1.625	1.500	C-6 C-6	111
2	27.0H1	Auxiliary, Halogen	12.80	27.00	2.11	54.00	220	Bi-Pin	1.330	0.925	C-6	99
3	862	Signal, Automotive, Halogen	12.80	37.50	2.93	60.00	2,000	Right Angle Plastic	2.680	1.250	C-6	54
4	898	Fog, Automotive, Shielded, Halogen	12.80	37.50	2.93	60.00	1,900	Right Angle Plastic Prefocus	2.680	1.250	C-6	
5	899	Fog, Automotive, Shielded, Halogen	12.80	37.50	2.93	60.00	2,000	Axial Plastic Prefocus	2.680	1.250	C-6	52
6	HM202	Off Road/ATV Hi Type H6M Lo	12.80 12.80	36.50 35.00	2.92 3.04	67.60 62.10	200 300	P15d2	1.625	1.500	C-6 C-6	111
7	37.5H1	Auxiliary, Halogen	12.80	37.50	2.93	75.00	200	Bi-Pin	1.330	0.925	C-6	99
8	893	Fog, Automotive, Shielded, Halogen	12.80	37.50	2.93	75.00	200 ^④	Axial Plastic Prefocus	2.680	1.250	C-6	52
9	894	Fog, Automotive; Tractor, Halogen	12.80	37.50	2.93	75.00	200 ^④	Right Angle Plastic	2.680	1.250	C-6	54
10	896	Fog, Automotive, Shielded, Halogen	12.80	37.50	2.93	75.00	200 ^④	Right Angle Plastic	2.680	1.250	C-6	71
11	885	Fog, Automotive, Halogen	12.80	49.92	3.90	100.00	200 ^④	Axial Plastic Prefocus	2.680	1.250	C-6	52
12	886	Fog, Automotive, Halogen	12.80	49.92	3.90	100.00	200 ^④	Right Angle Plastic	2.680	1.250	C-6	54
13	558	Automotive	13.00	4.29	0.33	—	500	Wedge	1.062	—	C-2V	49
14	192	Automotive	13.00	4.29	0.33	3.00	1,000	Wedge	1.052	0.560	C-2V	49
15	1816	Aircraft, Automotive	13.00	4.29	0.33	3.00	1,000	Miniature Bayonet	1.188	0.625	C-2V	46
16	12100	Courtesy, Dome	13.00	10.01	0.77	9.55	400	SV8.5	1.221	—	—	55
17	658	Indicator	14.00	1.12	0.08	0.31	15,000	Wedge	1.052	0.560	C-2F	49
18	756	Indicator	14.00	1.12	0.08	0.31	50,000	Miniature Bayonet	1.188	0.625	C-2F	46
19	160*	Automotive	14.00	2.66	0.19	0.90	25,000	Wedge	1.052	0.560	C-2F	49
20	PC160	Automotive	14.00	2.66	0.19	0.90	25,000	Printed Circuit	1.110	0.449	C-2F	50
21	161	Indicator, Instrument, Automotive	14.00	2.66	0.19	1.00	4,000	Wedge	1.052	0.560	C-2F	49
22	PC161	Indicator, Instrument, Automotive	14.00	2.66	0.19	1.00	4,000	Printed Circuit	1.110	0.449	C-2F	50
23	1487	Indicator	14.00	2.80	0.20	1.40	3,000	Miniature Screw	1.190	0.940	C-2F	47
24	1815	Indicator	14.00	2.80	0.20	1.40	3,000	Miniature Bayonet	1.188	0.750	C-2V	46
25	124	Vanity, Automotive	14.00	3.78	0.27	1.50	5,000	Wedge	1.052	0.560	C-2F	49
26	194A*	Automotive, Translucent Outside Amber Coating	14.00	3.78	0.27	1.50	2,500	Wedge	1.060	0.560	C-2F	49
27	194NA	Side Marker, Automotive, Natural Amber	14.00	3.78	0.27	1.50	2,500	Wedge	1.052	0.560	C-2F	49
28	194NALL	Side Marker, Automotive, Natural Amber	14.00	3.78	0.27	1.50	8,000	Wedge	1.052	0.560	C-2F	49

© At 14 Volts

NOTE: CIM = Construction Industrial Machinery D.C. = Double Contact MP = Multipurpose Rt. = Right S.C. = Single Contact

***This part number is included for reference only and inventory may not be available.**

LINE NO.	LAMP NUMBER	PRIMARY APPLICATION	DESIGN VOLTS	DESIGN WATTS	DESIGN AMPS	APPROX. CANDLE-POWER	RATED AVERAGE LAB LIFE HOURS	BASE TYPE	MAXIMUM OVERALL LENGTH (inches)	LIGHT CENTER LENGTH (inches)	FILAMENT TYPE	FIG. NO.
T-3¼ Bulb 13/32" (10mm) Diameter (Continued)												
1	2173	Indicator	14.00	3.78	0.27	1.50	5,000	Wire Lead	1.062	_	C-2F	48 ¹⁶
2	194LL	Indicator, Instrument, Automotive,	14.00	3.78	0.27	1.80	6,000	Wedge	1.052	0.560	C-2F	49
3	195	Automotive	14.00	3.78	0.27	1.80	12,000	Wedge	1.052	0.560	C-2F	49
4	PC195	Automotive	14.00	3.78	0.27	1.80	12,000	Printed Circuit	1.110	0.449	C-2F	50
5	158	Indicator, Instrument, Automotive	14.00	3.36	0.24	2.00	500	Wedge	1.052	0.560	C-2V	49
6	PC158*	Instrument, Automotive	14.00	3.36	0.24	2.00	500	Printed Circuit	1.110	0.449	C-2F	50
7	PC168B*	Instrument, Automotive, Blue	14.00	4.90	0.35	2.00	1,500	Printed Circuit	1.110	0.449	C-2F	50
8	193	Automotive, Fleet Duty	14.00	4.62	0.33	2.00	15,000	Wedge	1.052	0.560	C-2F	49
9	194	Indicator, Instrument, Automotive	14.00	3.78	0.27	2.00	2,500	Wedge	1.052	0.560	C-2F	49
10	194B	Automotive, Blue	14.00	3.78	0.27	2.00	2,500	Wedge	1.062	0.560	C-2F	49
11	194E*	Clearance, Truck	14.00	3.78	0.27	2.00	2,500	Wire Lead	1.052	0.560	C-2F	48
12	194G	Automotive, Green	14.00	3.78	0.27	2.00	2,500	Wedge	1.062	0.560	C-2F	49
13	194R	Automotive, Red	14.00	3.78	0.27	2.00	2,500	Wedge	1.062	0.560	C-2F	49
14	PC194	Indicator, Instrument, Automotive	14.00	3.78	0.27	2.00	4,000	Printed Circuit	1.110	0.449	C-2F	50
15	PC194B*	Instrument, Automotive, Blue	14.00	3.78	0.27	2.00	2,500	Printed Circuit	1.110	0.449	C-2F	50
16	PC194G*	Instrument, Automotive, Green	14.00	3.78	0.27	2.00	2,500	Printed Circuit	1.110	0.449	C-2F	50
17	PC194R*	Instrument, Automotive, Red	14.00	3.78	0.27	2.00	2,500	Printed Circuit	1.110	0.449	C-2F	50
18	1789*	Indicator	14.00	3.78	0.27	2.00	1,500	Wire Lead	1.188	_	C-2F	48
19	1889	Automotive	14.00	3.78	0.27	2.00	1,500	Miniature Bayonet	1.188	0.563	C-2F	46
20	1891	Indicator, Radio	14.00	3.36	0.24	2.00	500	Miniature Bayonet	1.188	0.563	C-2F	46
21	1893	Automotive, Fleet Duty	14.00	4.62	0.33	2.00	2,000+	Miniature Bayonet	1.188	0.625	C-2F	46
22	2286	Automotive	14.00	4.90	0.35	2.70	1,500	Wire Lead	1.062	_	C-2F	48
23	168	Instrument, Automotive	14.00	4.90	0.35	3.00	1,500	Wedge	1.060	0.560	C-2F	49
24	168NA	Instrument, Automotive, Natural Amber	14.00	4.90	0.35	3.00	1,500	Wedge	1.060	0.560	C-2F	49
25	PC168	Instrument, Automotive	14.00	4.90	0.35	3.00	1,500	Printed Circuit	1.110	0.449	C-2F	50
26	204	Automotive	14.00	6.20	0.44	4.00	1,000	Wedge	1.052	0.560	C-2V	49
27	175	Indicator	14.00	8.12	0.58	5.00	1,000	Wedge	1.052	0.560	C-2F	49
28	PC175	Automotive	14.00	8.12	0.58	5.00	1,000	Printed Circuit	1.110	0.449	C-2F	50
29	205	Automotive	14.00	8.40	0.60	6.00	1,000	Wedge	1.052	0.560	C-2V	49
30	208	Automotive	14.00	9.50	0.68	7.00	1,000	Wedge	1.052	0.560	C-2V	49
31	1992	Auxiliary, Halogen	14.00	35.00	2.50	64.00	150	Wedge	0.986	0.500	CC-6	96

5

¹⁶ See Fig. 48 on page 12

NOTE: CIM = Construction Industrial Machinery D.C. = Double Contact MP = Multipurpose Rt. = Right S.C. = Single Contact

***This part number is included for reference only and inventory may not be available.**

LINE NO.	LAMP NUMBER	PRIMARY APPLICATION	DESIGN VOLTS	DESIGN WATTS	DESIGN AMPS	APPROX. CANDLE-POWER	RATED AVERAGE LAB LIFE HOURS	BASE TYPE	MAXIMUM OVERALL LENGTH (inches)	LIGHT CENTER LENGTH (inches)	FILAMENT TYPE	FIG. NO.
T-3¼ Bulb 1³/₃₂" (10mm) Diameter (Continued)												
1	1892	Indicator	14.40	1.73	0.12	0.75	1,000	Miniature Bayonet	1.188	0.625	C-2F	46
2	1813	Radio	14.40	1.44	0.10	0.86	1,000	Miniature Bayonet	1.188	0.625	C-2V	46
3	184	Automotive, Fleet Duty	14.40	3.46	0.24	1.00	5,000	Wedge	1.052	0.560	C-2F	49
4	17109	Automotive	24.00	3.12	0.13	1.76	1,000	W2.1x9.5d	1.054	0.500	C-7A	95
5	1818	Aircraft	24.00	4.08	0.17	3.30	250	Miniature Bayonet	1.188	0.625	C-2F	46
6	17197	Indicator	24.00	5.00	0.21	3.98	1,500	W2.1x9.5d	1.054	0.500	C-2V	95
7	17327	Interior, License Plate	24.00	10.00	0.42	8.40	200	SV8.5	1.610	—	C-8	97
8	2470/H3	Auxiliary, Off-Road, Type H3, Halogen	24.00	70.00	2.92	146.00	225	PK22s	1.650	0.700	C-6	51
9	1819	Indicator	28.00	1.12	0.04	0.34	1,000	Miniature Bayonet	1.188	0.625	C-2F	46
10	656	Indicator	28.00	1.68	0.06	0.62	2,500	Wedge	1.060	0.563	C-2F	49
11	657	Indicator	28.00	2.24	0.08	0.62	15,000	Wedge	1.060	0.563	C-2F	49
12	757	Indicator	28.00	2.24	0.08	0.62	15,000	Miniature Bayonet	1.188	0.625	C-2F	46
13	152	Instrument	28.00	1.96	0.07	0.85	10,000	Wedge	1.052	0.560	C-2F	49
14	1829	Indicator	28.00	1.96	0.07	1.00	1,000	Miniature Bayonet	1.188	0.625	C-2F	46
15	1820	Indicator	28.00	2.80	0.10	1.60	1,000	Miniature Bayonet	1.188	0.625	C-2F	46
16	400	Aircraft	28.00	2.80	0.10	1.60	1,000	Wedge	1.600	0.560	C-2V	90
17	464	Aircraft	28.00	4.76	0.17	3.00	1,500	Wedge	1.060	0.563	C-2F	49
18	1864	Aircraft	28.00	4.76	0.17	3.00	1,500	Miniature Bayonet	1.188	0.625	C-2F	46
19	1873	Aircraft	28.00	5.60	0.20	3.00	7,000	Miniature Bayonet	1.188	0.625	C-2F	46
20	313	Aircraft	28.00	4.76	0.17	3.50	500	Miniature Bayonet	1.188	0.625	C-2F	46
21	1822	Indicator	36.00	3.60	0.10	2.10	1,000	Miniature Bayonet	1.188	0.625	C-2F	46
22	1828	Indicator	37.50	1.88	0.05	0.65	3,000	Miniature Bayonet	1.188	0.625	C-2F	46
23	1835	Indicator	55.00	2.75	0.05	1.10	5,000	Miniature Bayonet	1.188	0.625	C-2F	46
T-3½ Bulb 7¹/₁₆" (11mm) Diameter												
24	6486LL	Interior, Automotive	12.00	6.00	0.50	6.80	2000	SV8.5	1.375	—	C-8	97
T-4 Bulb ½" (13mm) Diameter												
25	9040	Fog, Automotive, Shielded, Halogen	12.80	40.00	3.34	48.00	1,500	Right Angle Plastic	2.165	1.244	C-6	
26	9140	Fog, Automotive, Shielded, Halogen	12.80	40.00	3.34	48.00	1,500	Right Angle Plastic	2.165	1.244	C-8	
27	1A/27W	Auxiliary, Halogen	12.80	27.00	2.11	50.00	300	G7.1	2.500	1.850	C-8	76
28	796	Auxiliary, Halogen	12.80	35.00	2.73	60.00	300	S.C. Bayonet	2.500	1.250	C-6	56
29	9045	Fog, Automotive, Shielded, Halogen	12.80	45.00	3.52	65.00	1,000	Right Angle Plastic	2.165	1.244	C-6	
30	9145(H10)	Fog, Automotive, Shielded, Halogen	12.80	45.00	3.52	65.00	1,000	Right Angle Plastic	2.165	1.244	C-8	
31	9055	Fog, Automotive, Shielded, Halogen	12.80	55.00	4.30	75.00	1,200	Right Angle Plastic	2.165	1.244	C-6	
32	9155*	Fog, Automotive, Shielded, Halogen	12.80	55.00	4.30	75.00	1,200	Right Angle Plastic	2.165	1.244	C-8	

NOTE: CIM = Construction Industrial Machinery D.C. = Double Contact MP = Multipurpose Rt. = Right S.C. = Single Contact
***This part number is included for reference only and inventory may not be available.**

LINE NO.	LAMP NUMBER	PRIMARY APPLICATION	DESIGN VOLTS	DESIGN WATTS	DESIGN AMPS	APPROX. CANDLE-POWER	RATED AVERAGE LAB LIFE HOURS	BASE TYPE	MAXIMUM OVERALL LENGTH (inches)	LIGHT CENTER LENGTH (inches)	FILAMENT TYPE	FIG. NO.
T-4 Bulb 1/2" (13mm) Diameter (Continued)												
1	9006	Headlamp, Replaceable Capsule, Automotive, Type HB4, Low Beam, Halogen	12.80	55.00	4.30	80.00	500 ^④	Right Angle Special	2.165	1.244	C-8	58
2	9006TV	Headlamp, Replaceable Capsule, Automotive, Type HB4, Low Beam, Halogen	12.80	55.00	4.30	80.00	500 ^④	Right Angle Special	2.165	1.244	C-8	58
3	9006XS	Headlamp, Replaceable Capsule, Automotive, Type HB4A, Low Beam, Halogen	12.80	55.00	4.30	80.00	1,000	Special	2.165	1.244	C-8	
4	9006BL	Headlamp, Replaceable Capsule, Automotive, Type HB4, Low Beam, Xenon	12.80	55.00	4.30	95.00	890	Right Angle Special	2.165	1.244	C-8	58
5	1A/50W	Auxiliary, Halogen	12.80	50.00	3.91	108.00	300	G7.1	2.500	1.850	C-6	76
6	795	Auxiliary, Halogen	12.80	50.00	3.91	108.00	200	S.C. Bayonet	2.500	1.250	C-6	56
7	795X	Auxiliary, Halogen	12.80	50.00	3.91	108.00	200	S.C. Bayonet	2.500	1.250	C-8	70
8	797	Auxiliary, Halogen	12.80	50.00	3.91	108.00	200	G7.1	1.900	1.250	C-6	57
9	9005	Headlamp, Replaceable Capsule, Automotive, Type HB3, High Beam, Halogen	12.80	65.00	5.08	136.00	150 ^④	Right Angle Special	2.165	1.244	C-8	59
10	9005TV	Headlamp, Replaceable Capsule, Automotive, Type HB3, High Beam, Halogen	12.80	65.00	5.08	136.00	150 ^④	Right Angle Special	2.165	1.244	C-8	59
11	9005XS	Headlamp, Replaceable Capsule, Automotive, Type HB3A, High Beam, Halogen	12.80	65.00	5.08	136.00	320	Special	2.165	1.244	C-8	
12	9005BL	Headlamp, Replaceable Capsule, Automotive, Type HB3, High Beam, Xenon	12.80	65.00	5.08	162.00	300	Right Angle Special	2.165	1.244	C-8	59
13	9011	Headlamp, Replaceable Capsule, HIR (Halogen Infrared)	12.80	65.00	5.08	163.50	130	Right Angle Plastic	2.165	1.244	C-8	

5

^④ At 14 Volts

NOTE: CIM = Construction Industrial Machinery D.C. = Double Contact MP = Multipurpose Rt. = Right S.C. = Single Contact

***This part number is included for reference only and inventory may not be available.**

LINE NO.	LAMP NUMBER	PRIMARY APPLICATION	DESIGN VOLTS	DESIGN WATTS	DESIGN AMPS	APPROX. CANDLE-POWER	RATED AVERAGE LAB LIFE HOURS	BASE TYPE	MAXIMUM OVERALL LENGTH (inches)	LIGHT CENTER LENGTH (inches)	FILAMENT TYPE	FIG. NO.
T-4 Bulb ½" (13mm) Diameter (Continued)												
1	11005	Courtesy, Dome	13.00	5.07	0.39	4.00	150	SV8.5	1.457	_	_	60
2	11004	Courtesy, Dome	13.00	10.01	0.77	9.55	400	SV8.5	1.457	_	_	61
3	17136	Courtesy, Dome	24.00	5.00	0.21	3.60	300	SV8.5	1.378	_	C-8	100
T-4½ Bulb ⅜" (14mm) Diameter												
4	1416	Marine	12.80	10.24	0.80	8.00	1,000	Miniature Bayonet	1.380	0.620	C-2R	101
T-4⅝ Bulb ⅜" (14.7mm) Diameter												
5	6451	Interior	12.00	15.00	1.25	17.50	75	SV8.5	1.610	_	C-8	102
6	17634	Automotive	12.00	21.00	1.75	36.60	100	SV8.5	1.610	_	C-8	103
7	1255/H7	Automotive, Type H7, Halogen	12.00	55.00	4.58	119.33	550	PX26d	2.441	0.984	C-8	104
8	1255/H7LL	Automotive, Type H7, Halogen, Long Life	13.20	56.50	4.28	115.00	1100	PX26d		0.984	C-8	104
9	1255/H11	Automotive, Type H11, Halogen	13.20	55.00	4.17	107.00	800	PGJ19-2		0.984	C-8	40
10	1265/H9	Automotive, Type H9, Halogen	13.20	65.00	4.92	167.00	220	PGJ19-5		0.984	C-8	40
11	9003	Headlamp, Hi Replaceable Lo Capsule, Automotive, Type HB2, High/Low Beam, Halogen	12.00 12.00	60.00 55.00	5.00 4.58	120.00 72.00	150 320	P43t	3.610	1.120	C-8 C-8	62
12	9003TV	Headlamp, Hi Replaceable Lo Capsule, Automotive, Type HB2, High/Low Beam, Halogen	12.00 12.00	60.00 55.00	5.00 4.58	120.00 72.00	150 320	P43t	3.610	1.120	C-8 C-8	62
13	9003BL	Headlamp, Hi Replaceable Lo Capsule, Automotive, Type HB2, High/Low Beam, Xenon	12.00 12.00	60.00 55.00	5.00 4.58	143.00 86.00	150 300	P43t	3.610	1.120	C-8 C-8	62
14	6260A	Auxiliary, Hi Off-Road, Lo Snowmobile, Halogen	12.00 12.00	60.00 55.00	5.00 4.58	138.00 83.00	150 300	P45t	3.610	1.120	C-8 C-8	105
15	1260/H4	Auxiliary, Off-Road, Motor-cycle, Type H4, Halogen	12.00 12.00	60.00 55.00	5.00 4.58	138.00 83.00	150 300	P43t	3.610	1.120	C-8 C-8	63
16	1260/H4BL	Auxiliary, Hi Off-Road, Lo Motorcycle, Type H4, Xenon	12.00 12.00	60.00 55.00	5.00 4.58	164.00 99.00	150 300	P43t	3.610	1.120	C-8 C-8	62
17	1210/H4	Auxiliary, Off-Road, Type H4, Halogen	12.00 12.00	100.00 80.00	8.33 6.67	217.00 125.00	75 150	PU43t	3.610	1.120	C-8 C-8	63
18	1213/H4	Auxiliary, Hi Off-Road, Lo Type H4, Halogen	12.00 12.00	130.00 100.00	10.32 8.33	282.00 217.00	50 75	P43t	3.610	1.120	C-8 C-8	63

NOTE: CIM = Construction Industrial Machinery D.C. = Double Contact MP = Multipurpose Rt. = Right S.C. = Single Contact
***This part number is included for reference only and inventory may not be available.**

LINE NO.	LAMP NUMBER	PRIMARY APPLICATION	DESIGN VOLTS	DESIGN WATTS	DESIGN AMPS	APPROX. CANDLE-POWER	RATED AVERAGE LAB LIFE HOURS	BASE TYPE	MAXIMUM OVERALL LENGTH (inches)	LIGHT CENTER LENGTH (inches)	FILAMENT TYPE	FIG. NO.
T-4⁵/₈ Bulb ³⁷/₆₄" (14.7mm) Diameter (Continued)												
1	9004	Headlamp, Hi Replaceable Lo Capsule, Automotive, Type HB1, High/Low Beam, Halogen	12.80 12.80	65.00 45.00	5.08 3.52	95.00 56.00	150 320	Special	2.756	1.752	C-6 C-6	64
2	9004TV	Headlamp, Hi Replaceable Lo Capsule, Automotive, Type HB1, High/Low Beam, Halogen	12.80 12.80	65.00 45.00	5.08 3.52	95.00 56.00	150 320	Special	2.756	1.752	C-6 C-6	64
3	9004HD*	Headlamp, Hi Replaceable Lo Capsule, Automotive, Type HB1, High/Low Beam, Halogen	12.80 12.80	65.00 45.00	5.08 3.52	95.00 56.00	200 1,200	Special	2.756	1.752	C-6 C-6	64
4	9004BL	Headlamp, Hi Replaceable Lo Capsule, Automotive, Type HB1, High/Low Beam, Xenon	12.80 12.80	65.00 45.00	5.08 3.52	103.00 63.00	200 800	Special	2.756	1.752	C-6 C-6	64
5	9007	Headlamp, Hi Replaceable Lo Capsule, Automotive, Type HB5, High/Low Beam, Halogen	12.80 12.80	65.00 55.00	5.08 4.30	107.00 80.00	200 500	Special	2.756	1.752	C-8 C-8	65
6	9007TV	Headlamp, Hi Replaceable Lo Capsule, Automotive, Type HB5, High/Low Beam, Halogen	12.80 12.80	65.00 55.00	5.08 4.30	107.00 80.00	200 500	Special	2.756	1.752	C-8 C-8	65
7	9007BL	Headlamp, Hi Replaceable Lo Capsule, Automotive, Type HB5, High Low Beam, Xenon	12.80 12.80	65.00 55.00	5.08 4.30	115.00 87.50	200 800	Special	2.756	1.752	C-8 C-8	65
8	9008/H13	Headlamp, Hi Replaceable Lo Headlamp, Hi / ECE Replaceable Lo / ECE	12.80 12.80 13.20 13.20	60.00 55.00 75.00 68.00	4.68 4.29 5.68 5.15	119.40 79.60 135.30 87.50	250 1000	PJ26.4t PJ26.4t PJ26.4t PJ26.4t	2.165	1.159	C8/C8	
9	17522	Automotive	24.00	18.00	0.75	19.20	75	SV8.5	1.614	_	C-8	103
10	2475/H4	Auxiliary, Off- Hi Road, Type H4, Lo Halogen	24.00 24.00	75.00 70.00	3.13 2.92	158.00 100.00	150 300	P43t	3.610	1.120	C-8 C-8	63
T-4³/₄ Bulb ¹⁹/₃₂" (15.2mm) Diameter												
11	576*	Automotive	12.80	17.92	1.40	21.00	1,000	Rigid Loop	1.720	_	C-8	67
12	577*	Automotive	12.80	17.92	1.40	21.00	1,000	Double End Cap	1.720	_	C-8	66
13	570*	Automotive	12.80	26.88	2.10	32.00	1,200	Rigid Loop	1.720	_	C-8	67
14	571*	Automotive	12.80 14.00	26.88 8.26	2.10 0.59	32.00 3.00	1,200 5,000	D.C. Rigid Loop	1.905	0.850	C-8 C-8	68
15	573*	Automotive	12.80	26.88	2.10	32.00	1,200	Double End Cap	1.720	_	C-8	66
16	575*	Automotive	12.80 14.00	26.88 6.72	2.10 0.58	32.00 2.00	1,200 5,000	D.C. Rigid Loop	1.905	0.850	C-8 C-8	68

5

NOTE: CIM = Construction Industrial Machinery D.C. = Double Contact MP = Multipurpose Rt. = Right S.C. = Single Contact
***This part number is included for reference only and inventory may not be available.**

LINE NO.	LAMP NUMBER	PRIMARY APPLICATION	DESIGN VOLTS	DESIGN WATTS	DESIGN AMPS	APPROX. CANDLE-POWER	RATED AVERAGE LAB LIFE HOURS	BASE TYPE	MAXIMUM OVERALL LENGTH (inches)	LIGHT CENTER LENGTH (inches)	FILAMENT TYPE	FIG. NO.
T-5 Bulb 5/8" (16mm) Diameter												
1	914	Emergency Lighting	4.00	3.60	0.90	3.50	50	Wedge	1.490	0.810	C-2R	69
2	926*	Emergency Lighting	4.00	7.20	1.80	7.50	50	Wedge	1.490	0.810	C-2R	69
3	962	Emergency Lighting	6.00	3.00	0.50	2.50	50	Wedge	1.490	0.810	C-2R	69
4	909	Emergency Lighting	6.00	3.72	0.62	3.80	50	Wedge	1.490	0.810	C-2R	69
5	961*	Emergency Lighting	6.00	4.80	0.80	5.50	50	Wedge	1.490	0.810	C-2R	69
6	939	Emergency Lighting	6.00	5.40	0.90	6.00	50	Wedge	1.490	0.810	C-2R	69
7	927	Emergency Lighting	6.00	7.20	1.20	8.00	50	Wedge	1.490	0.810	C-2R	69
8	908	Emergency Lighting	6.00	9.00	1.50	12.00	50	Wedge	1.490	0.810	C-2R	69
9	960*	Emergency Lighting	12.00	3.00	0.25	0.50	50	Wedge	1.490	0.810	C-2F	69
10	917	Appliance	12.00	14.40	1.20	10.00	1,200	Wedge	1.490	0.810	C-2R	69
11	915	Emergency Lighting	12.00	9.00	0.75	11.00	50	Wedge	1.490	0.810	C-2R	69
12	918*	Garden	12.80	7.17	0.56	6.50	500	Wedge	1.490	0.810	C-2R	69
13	579	Automotive	12.80	10.20	0.80	9.00	1,000	Wedge	1.490	0.810	C-2V	69
14	PC579	Interior, Automotive	12.80	10.20	0.80	9.00	1,000	Printed Circuit	1.553	0.708	C-2V	
15	912	Automotive	12.80	12.80	1.00	12.00	1,000	Wedge	1.490	0.810	C-2R	69
16	923*	Automotive	12.80	11.52	0.90	12.00	300	Wedge	1.490	0.810	C-2R	69
17	922	Automotive	12.80	12.54	0.98	15.00	200	Wedge	1.490	0.810	C-2R	69
18	921	Automotive	12.80	17.92	1.40	21.00	1,000	Wedge	1.490	0.810	C-2R	69
19	921K*	Automotive, Krypton, (same as 921LL)	12.80	17.92	1.40	21.00	2,000	Wedge	1.490	0.810	C-2R	69
20	921LL	Automotive, Krypton, (same as 921K)	12.80	17.92	1.40	21.00	2,000	Wedge	1.490	0.810	C-2R	69
21	906	Automotive	13.00	8.97	0.69	6.00	1,000	Wedge	1.490	0.810	C-2F	69
22	916NA	Side Marker, Automotive, Natural Amber	13.50	7.29	0.54	1.50	10,000	Wedge	1.490	0.810	C-2F	69
23	916	Side Marker, Automotive	13.50	7.29	0.54	2.00	10,000	Wedge	1.490	0.810	C-2F	69
24	904	Automotive	13.50	9.32	0.69	4.00	5,000	Wedge	1.490	0.810	C-2F	69
T-6 Bulb 3/4" (19mm) Diameter												
25	7440	Signal, Automotive	12.00	21.00	1.75	36.60	300	S.C. Wedge	1.730	1.250	C-6	106
26	7440NA	Signal, Automotive, Natural Amber ECE Specification	13.50	25.00 26.50	1.85 1.96	22.28	300	S.C. Wedge	1.870	1.142	C-6	106
27	7443	Signal, Stop, Automotive	12.00 12.00	21.00 5.00	1.75 0.42	36.60 2.80	300 2,000	D.C. Wedge	1.730	1.250	C-6 C-6	107

NOTE: CIM = Construction Industrial Machinery D.C. = Double Contact MP = Multipurpose Rt. = Right S.C. = Single Contact
***This part number is included for reference only and inventory may not be available.**

LINE NO.	LAMP NUMBER	PRIMARY APPLICATION	DESIGN VOLTS	DESIGN WATTS	DESIGN AMPS	APPROX. CANDLE-POWER	RATED AVERAGE LAB LIFE HOURS	BASE TYPE	MAXIMUM OVERALL LENGTH (inches)	LIGHT CENTER LENGTH (inches)	FILAMENT TYPE	FIG. NO.
T-6 Bulb 3/4" (19mm) Diameter (Continued)												
1	3496	Signal, Stop, Automotive, Krypton	12.00 12.00	27.00 8.00	2.24 0.66	43.00 3.00	750 3,500	BAY15d	2.000	1.250	C-6 C-6	108
2	3497	Signal, Automotive, Krypton	12.00	27.00	2.24	45.00	750	BA15s	2.000	1.250	C-6	109

Miniature Lamp L.C.L. and M.O.L. Metric Equivalency Chart

inches	mm	inches	mm	inches	mm
.250	6.350	.938	23.825	2.000	50.800
.315	8.001	.940	23.876	2.090	53.086
.370	9.398	.953	24.206	2.120	53.848
.375	9.525	.969	24.613	2.165	54.991
.400	10.160	.970	24.638	2.250	57.150
.406	10.312	.980	24.892	2.313	58.750
.440	11.176	.984	24.994	2.375	60.325
.449	11.405	1.000	25.400	2.430	61.722
.450	11.430	1.052	26.721	2.500	63.500
.460	11.684	1.060	26.924	2.680	68.072
.480	12.192	1.062	26.975	2.750	69.850
.500	12.700	1.063	27.000	2.756	70.002
.520	13.208	1.100	27.940	3.000	76.200
.560	14.224	1.102	28.000	3.125	79.375
.562	14.275	1.110	28.194	3.150	80.010
.563	14.300	1.120	28.448	3.312	84.125
.600	15.240	1.125	28.575	3.346	84.988
.625	15.875	1.130	28.702	3.500	88.900
.650	16.510	1.142	29.000	3.610	91.694
.688	17.475	1.180	29.972	3.750	95.250
.690	17.526	1.188	30.175	3.800	96.520
.700	17.780	1.190	30.226	4.000	101.600
.719	18.263	1.200	30.480	4.425	112.395
.720	18.288	1.221	31.000	4.500	114.300
.748	19.000	1.244	31.598	4.530	115.062
.750	19.050	1.250	31.750	4.700	119.380
.781	19.837	1.438	36.525	5.000	127.000
.800	20.320	1.457	37.000	5.315	135.001
.810	20.574	1.490	37.846	19.000	482.600
.813	20.650	1.650	41.910	28.000	711.200
.842	21.387	1.720	43.688	29.000	736.600
.860	21.844	1.750	44.450	31.000	787.400
.875	22.225	1.752	44.501	37.000	939.800
.900	22.860	1.826	46.380		

1 inch=25.4mm

NOTE: CIM = Construction Industrial Machinery D.C. = Double Contact MP = Multipurpose Rt. = Right S.C. = Single Contact
***This part number is included for reference only and inventory may not be available.**

PAR 16



EXT

PAR 36



4456



4461



4515



H7600

PAR 46

6



4049



4412A



4579R



4019

PAR 46



H4813



H5006



H7609

PAR 56



H6024

RECTANGULAR



H4352—55mm x 135mm



H4701—92mm x 150mm

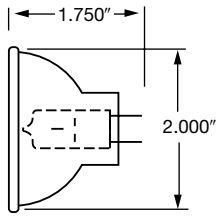


H4656—100mm x 165mm

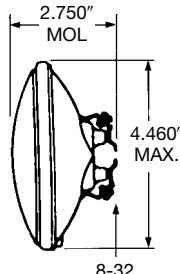


H6054—142mm x 200mm

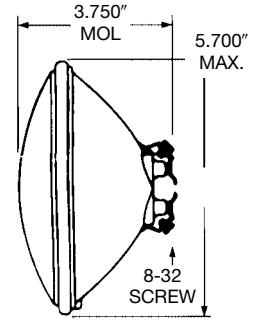
Note: Millimeters are used when measuring rectangular sealed beams.



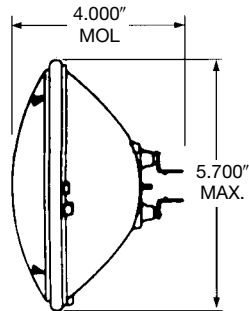
PAR 16
2 Pin, Halogen



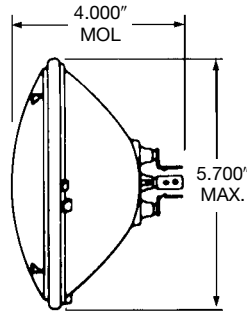
PAR 36
Screw Terminals



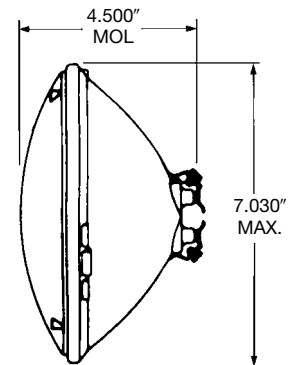
PAR 46
Screw Terminals or Multi-Purpose



PAR 46
2 Contact Lugs

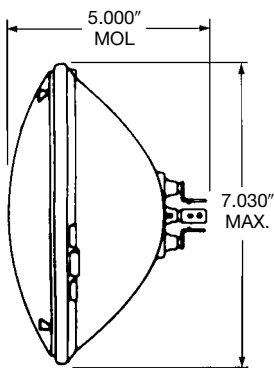


PAR 46
3 Contact Lugs

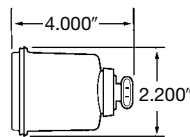


PAR 56
Screw Terminals

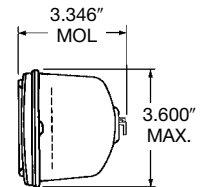
6



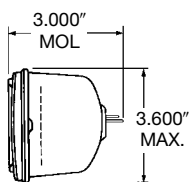
PAR 56
3 Contact Lugs



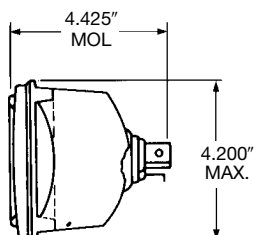
Rectangular
(55mm x 135 mm)



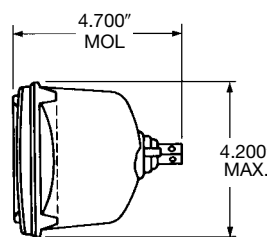
Rectangular (92mm x 150mm)
2 Right Angle Lugs



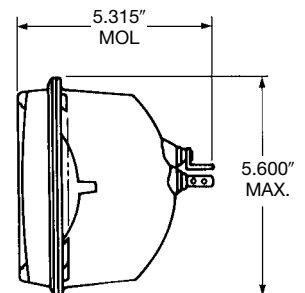
Rectangular (92mm x 150mm)
2 Lugs



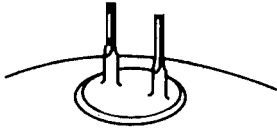
Rectangular (100mm x 165mm)
3 Contact Lugs



Rectangular (100mm x 165mm)
2 Contact Lugs



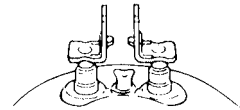
Rectangular (142mm x 200mm)
3 Contact Lugs



2 Lugs

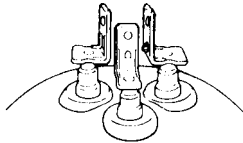


2 Lugs
Right Angle

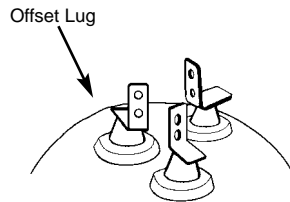


2 Contact Lugs

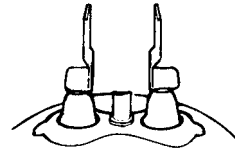
7



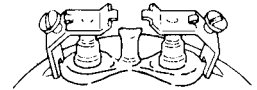
3 Contact Lugs



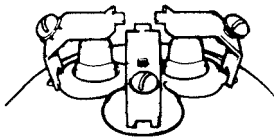
3 Contact Lugs
(1 offset Lug)



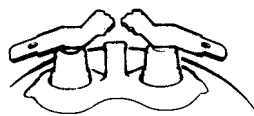
2 Mogul
End Prongs



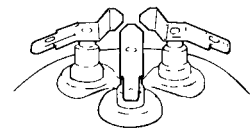
2 Screw
Terminals



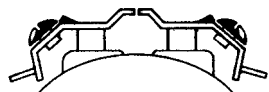
3 Screw
Terminals



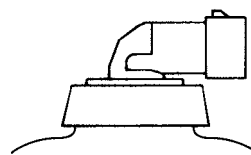
2 Slip-On
Terminals



3 Slip-On
Terminals



Multi-Purpose



Right Angle Plastic

LINE NUMBER	LAMP NUMBER	BASE TYPE	LENS TYPE	DESIGN VOLTS	DESIGN WATTS	DESIGN AMPS	APPROX. INITIAL MAX CANDLE-POWER	RATED AVERAGE LIFE	MAXIMUM OVERALL LENGTH		FILAMENT TYPE
									in.	mm.	
PAR-16 Bulb 2" (50mm) Diameter											
1	EXT	MR16 (2 Pin), Spot, Halogen	No Lens	12.00	50.00	4.16	10,000	4,000	1.768	44	C-8
2	EXZ	MR16 (2 Pin), Narrow Flood, Halogen	No Lens	12.00	50.00	4.16	3,200	4,000	1.768	44	C-8

Illustration by Lens Type



No Lens (MR16_2 Pin Shown)

LINE NO.	LAMP NUMBER	PRIMARY APPLICATION	DESIGN VOLTS	DESIGN WATTS	DESIGN AMPS	APPROX. INITIAL MAX CANDLE-POWER	BEAM SPREAD HOR. x VER. DEGREES	RATED AVERAGE LAB LIFE HOURS	BASE TYPE	MAXIMUM OVERALL LENGTH		FILAMENT TYPE
										in.	mm.	
PAR-36 Bulb 4½" (114mm) Diameter												
1	4609A*	Emergency Warning, Amber	4.70	1.85	0.39	400	20 x 3	1000	MP	3.150	80	C-2R
2	4512	Headlamp, Bicycle	4.70	2.35	0.50	150	Trapezoidal	100	Screw	2.756	70	C-2R
3	4546®	Lantern	4.70	2.35	0.50	6,300	3 x 3	100	Screw	2.756	70	C-2R
4	4546-1	Hand Lantern, Spot	4.70	2.35	0.50	6,300	3 x 3	100	MP	2.756	70	C-2R
5	4547*	Lantern	4.75	1.25	0.26	20,000	3 x 3	100	Screw	2.756	70	C-2R
6	7672*	Emergency	6.00	7.20	1.20	350	18 x 24	50	Screw	2.756	70	C-2R
7	7613®	Emergency	6.00	8.00	1.33	800	26 x 18	75	Screw	2.756	70	C-2R
8	7613-1	Emergency	6.00	8.00	1.33	800	26 x 18	75	MP	2.756	70	C-2R
9	H7550	Hand Lantern, Halogen	6.00	8.00	1.33	25,000	3 x 3	50	Screw	2.756	70	C-6
10	H7550-1	Hand Lantern, Halogen	6.00	8.00	1.33	25,000	3 x 3	50	Screw	2.756	70	C-6
11	H7553*	Emergency, Halogen	6.00	12.00	2.00	850	30 x 20	50	Screw	2.756	70	C-6
12	H7554*	Emergency, Halogen	6.00	20.00	3.34	1,400	30 x 20	50	Screw	2.756	70	C-6
13	4511®	Tractor	6.20	30.00	4.84	2,000	Trapezoidal	300 ^⑤	Screw	2.756	70	C-6
14	4511-1	Tractor	6.20	30.00	4.84	2,000	Trapezoidal	300 ^⑤	MP	2.756	70	C-6
15	4601*	Tail, Tractor	6.20	30.00	4.84	2,000	Trapezoidal	300 ^⑤	Screw	2.756	70	C-6
16	4516B*	Spot, Automotive, Blue	6.20	30.00	4.84	15,000	9 x 4	35 ^⑤	Screw	2.756	70	C-6
17	4516R*	Spot, Automotive, Red	6.20	30.00	4.84	15,000	9 x 4	35 ^⑤	Screw	2.756	70	C-6
18	4516	Spot, Automotive	6.20	30.00	4.84	40,000	9 x 4	35 ^⑤	Screw	2.756	70	C-6
19	4015A*	Fog, Automotive, Amber	6.20	35.00	5.65	7,000	40 x 5	80 ^⑤	Screw	2.756	70	C-6
20	4015	Fog, Automotive	6.20	35.00	5.65	8,500	40 x 5	80 ^⑤	Screw	2.756	70	C-6
21	4014R*	Signal, Red	6.40	18.00	2.81	275	50 x 25	70 ^⑤	Screw	2.756	70	C-6
22	4014A*	Signal, Amber	6.40	18.00	2.81	450	50 x 25	70 ^⑤	Screw	2.756	70	C-6
23	4014*	Signal	6.40	18.00	2.81	1,500	50 x 25	200	Screw	2.756	70	C-6
24	4510R*	Signal, Red	6.40	25.00	3.91	300	65 x 25	100	Screw	2.756	70	C-6
25	4510	Backup, Tractor	6.40	25.00	3.91	750	80 x 30	300	Screw	2.756	70	C-6
26	4057*	Headlamp, Motorcycle	Hi 6.40 Lo 6.40	25.00 25.00	3.91 3.91	10,000 7,000	25 x 4 25 x 4	100 100	3 Lug ^⑦	3.150	80	C-6 C-6
27	4056*	Headlamp, Motorcycle	Hi 6.40 Lo 6.40	30.00 30.00	4.69 4.69	12,000 10,000	25 x 4 25 x 4	100 100	3 Lug ^⑦	3.150	80	C-6 C-6
28	4515	Spot	6.40	30.00	4.69	55,000	5.5 x 4.5	35 ^⑤	Screw	2.756	70	C-6
29	H4515*	Spot, Halogen	6.40	30.00	4.69	60,000	5 x 5	100	Screw	2.756	70	C-6
30	4044*	Emergency Building	12.00	12.00	1.00	1,100	50 x 25	150	Screw	2.756	70	C-6
31	4414R	Signal, Red	12.80	18.00	1.41	275	50 x 25	100 ^④	Screw	2.756	70	C-6
32	4414A	Signal, Amber	12.80	18.00	1.41	450	50 x 25	100 ^④	Screw	2.756	70	C-6
33	7414Y	Signal, Yellow	12.80	18.00	1.41	1,000	50 x 25	300	Screw	2.756	70	C-6
34	4414®	Signal	12.80	18.00	1.41	1,400	50 x 25	100 ^④	Screw	2.756	70	C-6
35	4414-1	Signal	12.80	18.00	1.41	1,400	50 x 25	100 ^④	MP	2.756	70	C-6
36	4444*	Snowmobile	12.80	18.00	1.41	4,500	40 x 5	100 ^④	Screw	2.756	70	C-6
37	4443*	Spot, Military	12.80	18.00	1.41	10,000	10 x 5	700 ^④	Screw	2.756	70	C-6
38	4568*	Headlamp, Snowmobile	12.80	25.00	1.95	6,800	40 x 5	100	MP	2.756	70	C-6
39	4416B*	Signal, Automotive, Blue	12.80	30.00	2.34	6,000	11 x 4.5	100 ^④	Screw	2.756	70	C-6
40	4416R	Signal, Automotive, Red	12.80	30.00	2.34	6,000	11 x 4.5	100 ^④	Screw	2.756	70	C-6

④ At 14 Volts ⑤ At 7 Volts ⑥ Alternate Terminal Available ⑦ Contact Type

NOTE: CIM = Construction Industrial Machinery D.C. = Double Contact MP = Multipurpose Rt. = Right S.C. = Single Contact

***This part number is included for reference only and inventory may not be available.**

LINE NO.	LAMP NUMBER	PRIMARY APPLICATION	DESIGN VOLTS	DESIGN WATTS	DESIGN AMPS	APPROX. INITIAL MAX CANDLE-POWER	BEAM SPREAD HOR. x VER. DEGREES	RATED AVERAGE LAB LIFE HOURS	BASE TYPE	MAXIMUM OVERALL LENGTH		FILAMENT TYPE
										in.	mm.	
PAR-36 Bulb 4½" (114mm) Diameter (Continued)												
1	4456	Headlamp, Motorcycle	Hi 12.80 Lo 12.80	30.00	2.34	10,000 5,000	25 x 4 25 x 4	100 ^④ 100 ^④	3 Lug ^⑦	3.150	80	C-6 C-6
2	4449	Passing	12.80	30.00	2.34	15,000	11 x 4.5	300 ^④	Screw	2.756	70	C-6
3	4416A ^⑥	Signal, Automotive, Amber	12.80	30.00	2.34	25,000	11 x 4.5	100 ^④	Screw	2.756	70	C-6
4	4416 ^⑥	Spot, Automotive	12.80	30.00	2.34	35,000	11 x 4.5	100 ^④	Screw	2.756	70	C-6
5	4416-1	Spot	12.80	30.00	2.34	35,000	11 x 4.5	100 ^④	MP	2.756	70	C-6
6	4405	Spot	12.80	30.00	2.34	50,000	5.5 x 5.5	35 ^④	Screw	2.756	70	C-6
7	4422*	Flood, Tractor	12.80	35.00	2.73	325	110 x 110 ^⑬	300 ^④	Screw	2.756	70	C-6
8	4424*	Flood, Tractor	12.80	35.00	2.73	325	110 x 110	300 ^④	Screw	2.756	70	C-6
9	4406 ^⑥	Flood, Tractor	12.80	35.00	2.73	600	80 x 30	300 ^④	Screw	2.756	70	C-6
10	4406-1	Tractor	12.80	35.00	2.73	600	80 x 30	300 ^④	MP	2.756	70	C-6
11	4409*	Flood, Tractor ^⑰	12.80	35.00	2.73	600	80 x 30	300 ^④	Screw	2.756	70	C-6
12	4409X	Tractor, Red Reflector, For Use In A Special Housing Containing A 32 Candlepower Bulb (1156) For Tail Lamp Application	12.80	35.00	2.73	600	80 x 30	300 ^④	Screw	2.756	70	C-6
13	4410	Backup	12.80	35.00	2.73	600	80 x 30	300 ^④	Screw	2.756	70	C-6
14	4411 ^⑥	Tractor	12.80	35.00	2.73	2,500	Trapezoidal	300 ^④	Screw	2.756	70	C-6
15	4411-1	Tractor	12.80	35.00	2.73	2,500	Trapezoidal	300 ^④	MP	2.756	70	C-6
16	4411R*	CIM, Red	12.80	35.00	2.73	2,500	Trapezoidal	300 ^④	Screw	2.756	70	C-6
17	4603*	Tail, Tractor ^⑰	12.80	35.00	2.73	2,800	Trapezoidal	300 ^④	Screw	2.756	70	C-6
18	4603X	Tractor, Red Reflector, For Use In A Special Housing Containing A 21 Candlepower Bulb (1141) For Tail Lamp Application	12.80	35.00	2.73	2,800	Trapezoidal	300 ^④	Screw	2.756	70	C-6
19	4445	Headlamp, Snowmobile	Hi 12.80 Lo 12.80	35.00	2.73	2,900 4,800	40 x 5 40 x 5	320 ^④ 320 ^④	3 Lug ^⑦	3.150	80	C-6 C-6
20	4415A	Fog, Automotive	12.80	35.00	2.73	7,000	40 x 5	100 ^④	Screw	2.756	70	C-6
21	4415 ^⑥	Fog, Automotive	12.80	35.00	2.73	9,000	40 x 5	100 ^④	Screw	2.756	70	C-6
22	4415-1	Fog, Automotive	12.80	35.00	2.73	9,000	40 x 5	100 ^④	MP	2.756	70	C-6
23	7400R	Signal, Rotating Beacon, Red	12.80	35.00	2.73	23,000	12 x 5	300	MP	2.756	70	C-6
24	7400	Signal, Rotating Beacon	12.80	35.00	2.73	33,000	12 x 5	300	MP	2.756	70	C-6
25	H7600	Signal, Halogen	12.80	37.50	2.93	60,000	9 x 4.5	300	Screw	2.756	70	C-6
26	H7616	Spot, Automotive, Halogen	12.80	37.50	2.93	70,000	7 x 5	300	Screw	2.756	70	C-6
27	4440 ^⑥	Headlamp, Tractor	Hi 12.80 Lo 12.80	40.00	3.13	5,000 5,000	40 x 5 40 x 5	320 ^④ 320 ^④	3 Lug ^⑦	3.150	80	C-6 C-6
28	4457*	Headlamp, Tractor	Hi 12.80 Lo 12.80	40.00	3.13	6,000 5,000	30 x 10 30 x 10	320 ^④ 320 ^④	Screw	2.756	70	C-6 C-6
29	4460	Headlamp, Tractor/CIM	Hi 12.80 Lo 12.80	40.00	3.13	6,500 5,000	40 x 10 40 x 10	320 ^④ 320 ^④	Screw	2.756	70	C-6 C-6
30	H4460X	Tractor, Halogen	Hi 12.80 Lo 12.80	40.00	3.13	11,000 8,500	22 x 10 22 x 13	320 ^④ 320 ^④	Screw	2.756	70	C-6 C-6
31	4425R	Stop, Tail, CIM, Red	Hi 12.80 Lo 12.80	50.00 18.00	3.91 1.41	500 100	50 x 25 50 x 25	200 Indefinite ^④	Screw	2.756	70	C-6 C-6

^④ At 14 Volts ^⑥ Alternate Terminal Available ^⑦ Contact Type ^⑬ Conical Flood ^⑰ Red Reflector
NOTE: CIM = Construction Industrial Machinery D.C. = Double Contact MP = Multipurpose Rt. = Right S.C. = Single Contact
***This part number is included for reference only and inventory may not be available.**



LINE NO.	LAMP NUMBER	PRIMARY APPLICATION	DESIGN VOLTS	DESIGN WATTS	DESIGN AMPS	APPROX. INITIAL MAX CANDLE-POWER	BEAM SPREAD HOR. x VER. DEGREES	RATED AVERAGE LAB LIFE HOURS	BASE TYPE	MAXIMUM OVERALL LENGTH in. mm.	FILAMENT TYPE
PAR-36 Bulb 4½" (114mm) Diameter (Continued)											
1	H7606	Flood, Tractor, Halogen	12.80	50.00	3.91	1,000	80 x 30	400 ^④	Screw	2.756 70	C-6
2	H7614	Flood, Tractor, Halogen	12.80	50.00	3.91	2,000	70 x 30	100 ^④	Screw	2.756 70	C-6
3	H7610	Tractor, Halogen	12.80	50.00	3.91	5,200	Trapezoidal	400 ^④	Screw	2.756 70	C-6
4	H7604	Spot, Automotive, Halogen	12.80	50.00	3.91	110,000	7 x 5	100	Screw	2.756 70	C-6
5	4466 ^⑥	Flood, Tractor	12.80	60.00	4.69	1,000	80 x 30	300 ^④	Screw	2.756 70	C-6
6	4461	Tractor	12.80	60.00	4.69	6,000	30 x 25	300 ^④	Screw	2.756 70	C-6
7	4464R*	Spot, Red	12.80	60.00	4.69	7,500	11 x 5	300 ^④	Screw	2.756 70	C-6
8	4690	Headlamp, Tractor	Hi 12.80 Lo 12.80	60.00 60.00	4.69 4.69	9,000 5,500	40 x 10 40 x 10	200 ^④ 200 ^④	Screw	2.756 70	C-6 C-6
9	4454	Headlamp, Snowmobile	Hi 12.80 Lo 12.80	60.00 60.00	4.69 4.69	10,000 8,000	40 x 8 40 x 8	200 ^④ 200 ^④	3 Lug ^⑦	3.150 80	C-6 C-6
10	4464	Spot	12.80	60.00	4.69	50,000	11 x 5	300 ^④	Screw	2.756 70	C-6
11	H7607*	Flood, Tractor, Halogen	12.80	65.00	5.08	1,500	—	600 ^④	Screw	2.756 70	C-6
12	4675	Special Service	13.00	75.00	5.77	15,000	40 x 5	300	MP	2.756 70	C-6
13	4700	Flood, Spot	Hi 13.00 Lo 13.00	100.00 100.00	7.69 7.69	72,000 30,000	12 x 7 17 x 18	25 25	Screw	2.756 70	C-6 C-6
14	4509	Spot, Aircraft	13.00	100.00	7.69	110,000	11 x 6	11	Screw	2.756 70	C-6
15	4509S	Spot, Aircraft, W/Shield	13.00	100.00	7.69	110,000	11 x 6	11	Screw	2.756 70	C-6
16	4509X*	Spot, Marine	13.00	100.00	7.69	110,000	12 x 6	25	Screw	2.756 70	C-6
17	4503*	Headlamp, Military	14.00	40.00	2.86	10,000	40 x 5	400 ^④	Screw	2.756 70	C-6
18	4825R	Stop, Tail, CIM, Red	Hi 28.00 Lo 28.00	50.00 18.00	1.79 0.64	170 70	50 x 25 50 x 25	200 Indefinite	Screw	2.756 70	CC-6 C-2R
19	4455R*	Military, Red	28.00	50.00	1.79	950	50 x 25	400	2 Eyelet	2.756 70	CC-6
20	4402A*	Signal, CIM, Amber	28.00	50.00	1.79	1,000	50 x 25	400	Screw	2.756 70	C-6
21	4455A*	Military, Amber	28.00	50.00	1.79	1,500	50 x 25	400	2 Eyelet	2.756 70	CC-6
22	4593	Flood, CIM	28.00	50.00	1.79	1,500	80 x 30	400	Screw	2.756 70	CC-6
23	4589	CIM	28.00	50.00	1.79	5,000	Trapezoidal	400	Screw	2.756 70	CC-6
24	4502	Headlamp, Military	28.00	50.00	1.79	10,000	40 x 5	400	Screw	2.756 70	CC-6
25	4505	Spot, Aircraft	28.00	50.00	1.79	45,000	11 x 6	400	Screw	2.756 70	CC-6
26	4752	Signal, CIM	28.00	60.00	2.14	2,000	50 x 25	800	Screw	2.756 70	2 C-6 ^⑧
27	4752R	Signal, CIM, Red	28.00	60.00	2.14	2,000	50 x 25	800	Screw	2.756 70	2 C-6 ^⑧
28	4750	Headlamp, CIM	28.00	60.00	2.14	5,000	36 x 12	800	Screw	2.756 70	2 C-6 ^⑧
29	4811	Headlamp, Military	Hi 28.00 Lo 28.00	110.00 55.00	3.93 1.96	12,000 7,000	40 x 5 40 x 5	400 400	3 Lug ^⑦	3.150 80	CC-6 CC-6
30	4350	Work Light, Electric Truck	36.00	60.00	1.67	2,100	Trapezoidal	400	Slip-On	2.756 70	C-2V
31	652*	Tail, Train	37.50	35.00	0.93	2,000	30 x 25	1000	2 Mogul End Prongs	2.756 70	CC-6
32	4340	Work Light, Electric Truck	48.00	80.00	1.67	2,500	Trapezoidal	400	Slip-On	2.756 70	C-2V
PAR-46 Bulb 5¾" (146mm) Diameter											
33	4608A*	Emergency Warning, Amber	4.70	1.85	0.39	400	30 x 7	1000	MP	3.750 95	C-2R
34	4017	Flood, Spot, Lantern	Hi 5.50 Lo 5.50	3.80 11.50	0.69 2.09	3,000 16,000	7 x 7 5 x 1.5	100 50	3 Lug ^⑦	4.000 102	C-2R C-6
35	4606*	Emergency	5.70	20.00	3.51	800	80 x 20	150	Screw	4.000 102	C-6

④ At 14 Volts ⑥ Alternate Terminal Available ⑦ Contact Type ⑧ In Series

NOTE: CIM = Construction Industrial Machinery D.C. = Double Contact MP = Multipurpose Rt. = Right S.C. = Single Contact

***This part number is included for reference only and inventory may not be available.**

LINE NO.	LAMP NUMBER	PRIMARY APPLICATION	DESIGN VOLTS	DESIGN WATTS	DESIGN AMPS	APPROX. INITIAL MAX CANDLE-POWER	BEAM SPREAD HOR. x VER. DEGREES	RATED AVERAGE LAB LIFE HOURS	BASE TYPE	MAXIMUM OVERALL LENGTH		FILAMENT TYPE
										in.	mm.	
PAR-46 Bulb 5³/₄" (146mm) Diameter (Continued)												
1	4018*	Flood, Spot, Lantern	6.00 6.50	11.00 3.80	1.83 0.58	38,000 1,800	5 x 2 7 x 7	50 100	3 Lug [Ⓣ]	4.000	102	C-6 C-2R
2	4524	Spot	6.00	28.50	4.75	80,000	8 x 4	50 [Ⓟ]	Screw	3.750	95	C-6
3	4019	Tractor	6.20	30.00	4.84	1,200	Trapezoidal	300 [Ⓟ]	Screw	3.750	95	C-6
4	4010*	Driving, Automotive	6.20	30.00	4.84	27,000	16 x 4	80 [Ⓟ]	Screw	3.750	95	C-6
5	4012A	Fog, Automotive, Amber	6.20	35.00	5.65	8,800	40 x 5	80 [Ⓟ]	Screw	3.750	95	C-6
6	4012	Fog, Automotive	6.20	35.00	5.65	11,000	40 x 5	80 [Ⓟ]	Screw	3.750	95	C-6
7	4036*	Lantern	Hi 6.40 Lo 6.40	18.00 18.00	2.81 2.81	25,000 1,500	7 x 2 7 x 7	100 100	3 Lug [Ⓣ]	4.000	102	C-6 C-6
8	4013	Flood, Tractor	6.40	25.00	3.91	900	80 x 20	100 [Ⓟ]	Screw	3.750	95	C-6
9	4535R*	Signal, Spot, Red	6.40	30.00	4.69	10,000	5.5 x 4	35 [Ⓟ]	Screw	3.750	95	C-6
10	4020	Headlamp, Motorcycle	Hi 6.40 Lo 6.40	30.00 30.00	4.69 4.69	25,000 15,000	25 x 7 25 x 7	100 [Ⓟ] 100 [Ⓟ]	3 Lug [Ⓣ]	4.000	102	C-6 C-6
11	4535	Spot	6.40	30.00	4.69	90,000	5.5 x 4	35 [Ⓟ]	Screw	3.750	95	C-6
12	4031*	Headlamp, Military	Hi 6.40 Lo 6.40	45.00 35.00	7.03 5.47	30,000 16,000	25 x 7 25 x 7	120 180	3 Lug [Ⓣ]	4.000	102	C-6 C-6
13	4078*	Flood, CIM	6.40	50.00	7.81	1,500	55 x 30	500 [Ⓟ]	2 Lug [Ⓣ]	4.000	102	C-6
14	4080*	Headlamp, CIM	6.40	50.00	7.81	8,000	40 x 5	500	2 Lug [Ⓣ]	4.000	102	C-6
15	4034A*	Signal, Amber	6.50	50.00	7.69	1,200	55 x 25	45 [Ⓟ]	Screw	3.750	95	C-6
16	4531*	Headlamp, Military	12.50	40.00	3.20	30,000	20 x 5	400	Screw	3.750	95	C-6
17	4037*	Fog, Automotive	12.80	18.00	1.41	N.A.	26 x 5	300	MP	4.000	102	C-6
18	4439*	Flood	12.80	18.00	1.41	2,500	30 x 10	100 [Ⓞ]	2 Lug [Ⓣ]	4.000	102	C-6
19	4435R*	Spot, Red	12.80	30.00	2.34	6,000	5 x 5	100 [Ⓞ]	Screw	3.750	95	C-6
20	4420	Headlamp, Motorcycle	Hi 12.80 Lo 12.80	30.00 30.00	2.34 2.34	25,000 15,000	25 x 7 25 x 7	100 [Ⓞ] 100 [Ⓞ]	3 Lug [Ⓣ]	4.000	102	C-6 C-6
21	4435B*	Spot, Blue	12.80	30.00	2.34	35,000	5 x 5	100 [Ⓞ]	Screw	3.750	95	C-6
22	4435	Spot	12.80	30.00	2.34	75,000	5 x 5	100 [Ⓞ]	Screw	3.750	95	C-6
23	4413R*	Signal, Red	12.80	35.00	2.73	200	80 x 20	300 [Ⓞ]	Screw	3.750	95	C-6
24	4413A	Signal, Tractor, Amber	12.80	35.00	2.73	800	80 x 20	300 [Ⓞ]	Screw	3.750	95	C-6
25	4427	Tail, Tractor [Ⓣ]	12.80	35.00	2.73	1,000	80 x 20	300 [Ⓞ]	Screw	3.750	95	C-6
26	4413 [Ⓞ]	Flood, Tractor	12.80	35.00	2.73	1,100	80 x 20	300 [Ⓞ]	Screw	3.750	95	C-6
27	4419	Tractor [Ⓣ]	12.80	35.00	2.73	1,600	Trapezoidal	300 [Ⓞ]	Screw	3.750	95	C-6
28	4610 [Ⓞ] *	Tail, Tractor	12.80	35.00	2.73	1,600	Trapezoidal	300	Screw	3.750	95	C-6
29	4412A [Ⓞ]	Fog, Automotive, Amber	12.80	35.00	2.73	8,800	40 x 5	100 [Ⓞ]	Screw	3.750	95	C-6
30	4412 [Ⓞ]	Fog, Automotive	12.80	35.00	2.73	11,000	40 x 5	100 [Ⓞ]	Screw	3.750	95	C-6
31	H5006	Headlamp, Automotive, Type 2C1, Low Beam, Halogen	Hi 12.80 Lo 12.80	35.00 35.00	2.73 2.73	15,000 20,000	35 x 7 35 x 7	200 [Ⓞ] 450 [Ⓞ]	3 Lug [Ⓣ]	4.000	102	C-6 C-6
32	4436	Signal, Spot	12.80	35.00	2.73	60,000	10 x 4	100 [Ⓞ]	MP	3.750	95	C-6
33	4000R	Headlamp, Red	Hi 12.80 Lo 12.80	37.50 60.00	2.93 4.69	1,250 2,700	34 x 7 34 x 7	200 [Ⓞ] 300 [Ⓞ]	3 Lug [Ⓣ]	4.000	102	C-6 C-6
34	4002R*	Headlamp, Red	Hi 12.80 Lo 12.80	37.50 50.00	2.93 3.91	1,300 2,000	34 x 7 34 x 7	200 [Ⓞ] 320 [Ⓞ]	3 Lug [Ⓣ]	4.000	102	C-6 C-6
35	4001R*	Headlamp, Red	12.80	37.50	2.93	2,000	26 x 5	200 [Ⓞ]	2 Lug [Ⓣ]	4.000	102	C-6
36	4001B*	Headlamp, Blue	12.80	37.50	2.93	2,600	26 x 5	200 [Ⓞ]	2 Lug [Ⓣ]	4.000	102	C-6
37	4000A*	Headlamp, Amber	Hi 12.80 Lo 12.80	37.50 60.00	2.93 4.69	3,500 7,500	34 x 7 34 x 7	200 [Ⓞ] 300 [Ⓞ]	3 Lug [Ⓣ]	4.000	102	C-6 C-6

[Ⓞ] At 14 Volts [Ⓟ] At 7 Volts [Ⓠ] Alternate Terminal Available [Ⓡ] Contact Type [Ⓢ] Red Reflector
NOTE: CIM = Construction Industrial Machinery D.C. = Double Contact MP = Multipurpose Rt. = Right S.C. = Single Contact
***This part number is included for reference only and inventory may not be available.**



LINE NO.	LAMP NUMBER	PRIMARY APPLICATION	DESIGN VOLTS	DESIGN WATTS	DESIGN AMPS	APPROX. INITIAL MAX CANDLE-POWER	BEAM SPREAD HOR. x VER. DEGREES	RATED AVERAGE LAB LIFE HOURS	BASE TYPE	MAXIMUM OVERALL LENGTH		FILAMENT TYPE	
										in.	mm.		
PAR-46 Bulb 5³/₄" (146mm) Diameter (Continued)													
1	4002A*	Headlamp, Amber	Hi	12.80	37.50	2.93	8,000	34 x 7	200 ^④	3 Lug ^⑦	4.000	102	C-6
			Lo	12.80	50.00	3.91	14,000	34 x 7	320 ^④				C-6
2	4003*	Headlamp, Automotive, Type 2X, Low Beam, Right Hand Drive Vehicles	Hi	12.80	37.50	2.93	10,000	34 x 7	200 ^④	3 Lug ^⑦	4.000	102	C-6
			Lo	12.80	50.00	4.20	18,000	34 x 7	320 ^④				C-6
3	5731	Headlamp, Automotive, Type 2X, Low Beam, "E" Mark, With 28.5MM Pilot Hole, Right Hand Drive Vehicles	Hi	12.80	37.50	2.93	10,000	34 x 7	200 ^④	3 Lug ^⑦	4.000	102	C-6
			Lo	12.80	60.00	4.90	20,000	34 x 7	320 ^④				C-6
4	4000	Headlamp, Automotive, Type 2C1, Low Beam	Hi	12.80	37.50	2.93	11,000	34 x 7	200 ^④	3 Lug ^⑦	4.000	102	C-6
			Lo	12.80	60.00	4.69	25,000	34 x 7	300 ^④				C-6
5	4002*	Headlamp, Automotive	Hi	12.80	37.50	2.93	11,000	34 x 7	200 ^④	3 Lug ^⑦	4.000	102	C-6
			Lo	12.80	50.00	3.91	19,000	34 x 7	320 ^④				C-6
6	4040	Headlamp, Automotive, Heavy Duty, Type 2C1, Low Beam	Hi	12.80	37.50	2.93	11,000	34 x 7	200 ^④	3 Lug ^⑦	4.000	102	C-6
			Lo	12.80	60.00	4.69	25,000	34 x 7	300 ^④				C-6
7	H7612*	Fog, Halogen		12.80	37.50	2.93	15,000	40 x 7	450	Screw	3.800	96	C-6
8	4001A*	Headlamp, Amber		12.80	37.50	2.93	21,000	26 x 5	200 ^④	2 Lug ^⑦	4.000	102	C-6
9	4001*	Headlamp, Automotive Type 1C1, High Beam		12.80	37.50	2.93	29,000	26 x 5	200 ^④	2 Lug ^⑦	4.000	102	C-6
10	4434A*	Signal, Amber		12.80	40.00	3.13	1,000	55 x 25	35 ^④	Screw	3.750	95	C-6
11	4459	Tractor	Hi	12.80	40.00	3.13	1,400	Trapezoidal	320 ^④	MP	3.312	92	C-6
			Lo	12.80	40.00	3.13	1,300	Trapezoidal	320 ^④				C-6
12	H5009*	Headlamp, Automotive, Type 2C1, Low Beam, Halogen	Hi	12.80	40.00	3.13	15,000	35 x 7	500 ^④	3 Lug ^⑦	4.000	102	C-6
			Lo	12.80	50.00	3.91	20,000	35 x 7	2000 ^④				C-6
13	4431	Headlamp, Military		12.80	45.00	3.52	30,000	25 x 7	160 ^④	3 Lug ^⑦	4.000	102	C-6
				12.80	35.00	2.73	16,000	25 x 7	275 ^④				C-6
14	H7609	Flood, Tractor, Halogen		12.80	50.00	3.91	2,200	80 x 20	400 ^④	Screw	3.750	95	C-6
15	5001R	Headlamp, Red		12.80	50.00	3.91	2,500	26 x 5	200 ^④	2 Lug	4.000	102	C-6
16	H7619	Tractor, Halogen		12.80	50.00	3.91	6,000	30 x 25	400 ^④	Screw	3.750	95	C-6
17	H7621-1	Automotive, Truck, Halogen		12.80	50.00	3.91	20,000	50 x 7	200 ^④	Slip-On	3.750	95	C-6
18	4467	Headlamp, Motorcycle	Hi	12.80	50.00	3.91	27,000	31 x 7	350 ^④	3 Lug ^⑦	4.000	102	C-6
			Lo	12.80	35.00	2.73	12,500	30 x 6	320 ^④				C-6
19	H4467	Headlamp, Motorcycle, Halogen	Hi	12.80	50.00	3.91	27,000	31 x 7	350 ^④	3 Lug ^⑦	4.000	102	C-6
			Lo	12.80	35.00	2.73	12,500	30 x 6	320 ^④				C-6
20	5001	Headlamp, Automotive, Type 1C1, High Beam		12.80	50.00	3.91	35,000	26 x 5	200 ^④	2 Lug ^⑦	4.000	102	C-6
21	H5010*	Headlamp, Automotive, Type 1C1, High Beam, Halogen		12.80	50.00	3.91	45,000	26 x 5	900 ^④	2 Lug ^⑦	4.000	102	C-6
22	H5001	Headlamp, Automotive, Type 1C1, High Beam, Halogen		12.80	50.00	3.91	55,000	26 x 5	200 ^④	2 Lug ^⑦	4.000	102	C-6
23	5712	Headlamp, Automotive, Type 1C1, High Beam, Right Hand Drive Vehicles		12.80	50.00	4.20	55,000	26 x 5	150 ^④	2 Lug ^⑦	4.000	102	C-6
24	H7635	Spot, Halogen		12.80	50.00	3.91	160,000	6.5 x 4	100 ^④	Screw	3.750	95	C-6
25	4492*	Headlamp, Snowmobile	Hi	12.80	60.00	4.69	21,000	—	300	3 Lug ^⑦	4.000	102	C-6
			Lo	12.80	60.00	4.69	19,000	—	300				C-6
26	4633R*	Signal, School Bus, Red		12.80	75.00	5.86	700	80 x 15	70 ^④	MP	3.750	95	2 C-6

④ At 14 Volts ⑦ Contact Type

NOTE: CIM = Construction Industrial Machinery D.C. = Double Contact MP = Multipurpose Rt. = Right S.C. = Single Contact

***This part number is included for reference only and inventory may not be available.**

LINE NO.	LAMP NUMBER	PRIMARY APPLICATION	DESIGN VOLTS	DESIGN WATTS	DESIGN AMPS	APPROX. INITIAL MAX CANDLE-POWER	BEAM SPREAD HOR. x VER. DEGREES	RATED AVERAGE LAB LIFE HOURS	BASE TYPE	MAXIMUM OVERALL LENGTH		FILAMENT TYPE
										in.	mm.	
PAR-46 Bulb 5¾" (146mm) Diameter (Continued)												
1	4633A*	Signal, School Bus, Amber	12.80	75.00	5.86	1,200	80 x 15	70④	MP	3.750	95	2 C-6
2	4633*	Signal, School Bus	12.80	75.00	5.86	6,000	80 x 15	70④	MP	3.750	95	C-6
3	4478	Flood, CIM	13.00	60.00	4.62	1,600	55 x 30	800④	2 Lug⑦	4.000	102	2 C-6⑧
4	4480	Headlamp, CIM	13.00	60.00	4.62	6,000	40 x 7	800④	2 Lug⑦	4.000	102	2 C-6⑧
5	4421⑥	Special Service	13.00	100.00	7.69	23,000	50 x 6	125④	MP	3.750	95	C-6
6	4007	Flood, Spot	Hi 13.00 Lo 13.00	100.00	7.69	50,000 20,000	5 x 6 7 x 13	25 25	MP	3.125	80	C-6 C-6
7	4537	Landing, Aircraft, W/Shield	13.00	100.00	7.69	200,000	11 x 6	11④	Screw	3.125	80	C-6
8	4537-2	Landing, Aircraft, W/Shield	13.00	100.00	7.69	200,000	11 x 6	11④	Slip-On	3.500	90	C-6
9	4537-3*	Landing, Aircraft, W/O Shield	13.00	100.00	7.69	200,000	11 x 6	11④	MP	3.125	80	C-6
10	4537-4	Landing, Aircraft, W/O Shield	13.00	100.00	7.69	200,000	11 x 6	11④	Screw	3.125	80	C-6
11	4537-5*	Landing, Aircraft, W/Shield	13.00	100.00	7.69	200,000	11 x 6	11④	MP	3.125	80	C-6
12	4049	Spot	13.00	150.00	11.54	300,000	15 x 7	15	MP	3.750	95	C-6
13	4049S	Spot, W/Shield	13.00	150.00	11.54	300,000	15 x 7	15	MP	3.750	95	C-6
14	4636	Signal	14.00	80.00	5.71	90,000	9 x 7	200④	MP	3.750	95	2 C-6⑨
15	4490A	Fog, Amber	28.00	50.00	1.79	9,000	40 x 5	400	Screw	3.750	95	CC-6
16	4578	Flood, CIM	28.00	60.00	2.14	1,600	55 x 30	800	2 Lug⑦	4.000	102	2 C-6⑧
17	H4578	Flood, CIM, Halogen	28.00	60.00	2.14	1,800	50 x 20	800	2 Lug⑦	4.000	102	2 C-6⑧
18	4880	Headlamp, CIM	28.00	60.00	2.14	6,000	40 x 7	800	2 Lug⑦	4.000	102	2 C-6⑧
19	H4880	Headlamp, CIM, Halogen	28.00	60.00	2.14	7,000	40 x 7	800	2 Lug⑦	4.000	102	2 C-6⑧
20	4579R	CIM, Red	Hi 28.00 Lo 28.00	80.00	2.86	3,600 1,600	25 x 7 25 x 7	400 400	3 Lug⑦	4.000	102	CC-6 CC-6
21	4579	Headlamp, CIM	Hi 28.00 Lo 28.00	80.00	2.86	24,000 11,000	25 x 7 25 x 7	400 400	3 Lug⑦	4.000	102	CC-6 CC-6
22	4813	Headlamp, CIM	28.00	90.00	3.21	10,000	50 x 10	800	2 Lug⑦	4.000	102	2 C-6⑧
23	H4813	Headlamp, CIM, Halogen	28.00	90.00	3.21	12,000	50 x 10	800	2 Lug⑦	4.000	102	2 C-6⑧
24	4814	Hi-Speed Driving, CIM	28.00	90.00	3.21	27,000	8 x 4	800	2 Lug⑦	4.000	102	2 C-6⑧
25	H4814	Hi-Speed Driving, CIM, Halogen	28.00	90.00	3.21	33,000	8 x 4	800	2 Lug⑦	4.000	102	2 C-6⑧
26	4572	Flood, Military	28.00	150.00	5.36	4,500	50 x 20	300	Screw	3.750	95	CC-6
27	4571	Flood, Military	28.00	150.00	5.36	7,000	80 x 20	300	Screw	3.750	95	CC-6
28	4570	Taxiing, Aircraft	28.00	150.00	5.36	32,000	50 x 9	300	Screw	3.750	95	CC-6
29	4551	Taxiing, Aircraft	28.00	250.00	8.93	75,000	50 x 10	25	Screw	3.750	95	CC-6
30	4553	Landing, Aircraft	28.00	250.00	8.93	300,000	11 x 12	25	Screw	3.125	80	CC-8
PAR-56 Bulb 7" (178mm) Diameter												
31	6006	Headlamp, Automotive, Hi Type 2D1, High/Low Beam	6.10 Lo 6.20	50.00	8.20	27,000 20,000	34 x 7 34 x 7	75 150	3 Lug⑦	5.000	127	C-6 C-6
32	4545	Spot, Marine Search [®]	12.00	100.00	8.33	220,000	9 x 5	100	Screw	4.500	114	C-6
33	4310	Swimming Pool	12.00	150.00	12.50	6,000	50 x 25	125④	Screw	4.500	114	C-6
34	4319	Swimming Pool	12.00	300.00	25.00	12,000	50 x 25	125④	Screw	4.500	114	2 C-6⑧

9

④ At 14 Volts ⑥ Alternate Terminal Available ⑦ Contact Type ⑧ In Series ⑨ In Parallel ⑩ Shielded
NOTE: CIM = Construction Industrial Machinery D.C. = Double Contact MP = Multipurpose Rt. = Right S.C. = Single Contact
**This part number is included for reference only and inventory may not be available.*

LINE NO.	LAMP NUMBER	PRIMARY APPLICATION	DESIGN VOLTS	DESIGN WATTS	DESIGN AMPS	APPROX. INITIAL MAX CANDLE-POWER	BEAM SPREAD HOR. x VER. DEGREES	RATED AVERAGE LAB LIFE HOURS	BASE TYPE	MAXIMUM OVERALL LENGTH in. mm.	FILAMENT TYPE	
PAR-56 Bulb 7" (178mm) Diameter (Continued)												
1	4543*	Spot, Marine	12.50	100.00	8.00	250,000	9 x 5	50	Screw	4.500 114	C-6	
2	H6412*	Fog, Automotive, Halogen	12.80	20.00	1.56	5,000	60 x 4	2000 ^④	2 Lug ^⑦	5.000 127	C-6	
3	6012*	Headlamp, Automotive	Hi	12.80	50.00	3.91	27,000	34 x 7	200 ^④	3 Lug ^⑦	5.000 127	C-6
			Lo	12.80	40.00	3.13	20,000	34 x 7	320 ^④			C-6
4	6013*	Headlamp, Automotive	Hi	12.80	50.00	3.91	27,000	34 x 7	200 ^④	3 Lug ^⑦	5.000 127	C-6
			Lo	12.80	40.00	3.13	20,000	34 x 7	320 ^④			C-6
5	4458*	Headlamp, Motorcycle	Hi	12.80	60.00	4.69	32,000	34 x 7	200 ^④	3 Lug ^⑦	5.000 127	C-6
			Lo	12.80	50.00	3.91	25,000	34 x 7	320 ^④			C-6
6	6014	Headlamp, Automotive, Type 2D1, High/Low Beam	Hi	12.80	60.00	4.69	32,000	34 x 7	200 ^④	3 Lug ^⑦	5.000 127	C-6
			Lo	12.80	50.00	3.91	25,000	34 x 7	320 ^④			C-6
7	6015	Headlamp, Automotive, Heavy Duty, Type 2D1, High/Low Beam	Hi	12.80	60.00	4.69	32,000	34 x 7	300 ^④	3 Lug ^⑦	5.000 127	C-6
			Lo	12.80	50.00	3.91	25,000	34 x 7	500 ^④			C-6
8	6016*	Headlamp, Automotive, Heavy Duty, Type 2D1, High/Low Beam	Hi	12.80	60.00	4.69	32,000	34 x 7	200 ^④	3 Lug ^⑦	5.000 127	C-6
			Lo	12.80	50.00	3.91	25,000	34 x 7	320 ^④			C-6
9	H6026*	Headlamp, Automotive, Type 2D1, High/Low Beam, Halogen	Hi	12.80	60.00	4.69	32,000	35 x 7	500 ^④	3 Lug ^⑦	5.000 127	C-6
			Lo	12.80	50.00	3.91	28,000	35 x 7	1500 ^④			C-6
10	7002*	Headlamp, Automotive, High/Low Beam, Right Hand Drive Vehicles	Hi	12.80	60.00	4.97	48,000	34 x 7	200 ^④	3 Lug ^⑦	5.000 127	C-6
			Lo	12.80	45.00	3.73	27,000	34 x 7	320 ^④			C-6
11	7014	Headlamp, Automotive, High/Low Beam, "E" Mark, With 28.5MM Pilot Hole, Right Hand Drive Vehicles	Hi	12.80	60.00	4.97	48,000	34 x 7	200 ^④	3 Lug ^⑦	5.000 127	C-6
			Lo	12.80	45.00	3.73	27,000	34 x 7	320 ^④			C-6
12	H6024	Headlamp, Automotive, Type 2D1, High/Low Beam, Halogen	Hi	12.80	60.00	4.69	35,000	35 x 7	150 ^④	3 Lug ^⑦	5.000 127	C-6
			Lo	12.80	35.00	2.73	27,000	35 x 7	450 ^④			C-6
13	H6024TV	TruView Sealed Beam	Hi	12.80	60.00	4.69	35,000	35 x 7	150	3 Lug ^⑦	5.000	C-6
			Lo	12.80	35.00	2.73	25,000	35 x 7	320			C-6
14	H6024BL	Headlamp, Automotive, Type 2D1, High/Low Beam, Xenon	Hi	12.80	65.00	5.08	28,000	80 x 7	150 ^④	3 Lug ^⑦	5.000 127	C-8
			Lo	12.80	55.00	4.30	24,000	80 x 7	450 ^④			C-8
15	4433R*	Signal, Red	12.80	75.00	5.86	800	40 x 20	70 ^④	3 Lug ^⑦	5.000 127	2 C-6 [Ⓜ]	
16	4433A*	Signal, Amber	12.80	75.00	5.86	2,400	40 x 20	70 ^④	3 Lug ^⑦	5.000 127	2 C-6 [Ⓜ]	
17	7550X*	Flood, Spot, Shielded	Hi	12.80	75.00	6.30	35,000	6 x 5	150 ^④	3 Lug ^⑦	5.000 127	C-6
			Lo	12.80	50.00	4.20	25,000	7 x 13	320 ^④			C-6
18	7010*	Headlamp, Automotive, High/Low Beam, Right Hand Drive Vehicles	Hi	12.80	75.00	6.30	60,000	34 x 7	200 ^④	3 Lug ^⑦	5.000 127	C-6
			Lo	12.80	50.00	4.20	30,000	34 x 7	320 ^④			C-6
19	7019	Headlamp, Automotive, High/Low Beam, "E" Mark, With 28.5MM Pilot Hole, Right Hand Drive Vehicles	Hi	12.80	75.00	6.30	60,000	34 x 7	200 ^④	3 Lug ^⑦	5.000 127	C-6
			Lo	12.80	50.00	4.20	30,000	34 x 7	320 ^④			C-6
20	4305	Swimming Pool	13.00	100.00	7.69	5,000	50 x 25	125 ^④	Screw	4.500 114	C-6	
21	4800	Headlamp, Military	Hi	28.00	50.00	1.79	19,000	34 x 7	400	3 Lug ^⑦	5.000 127	CC-6
			Lo	28.00	40.00	1.43	11,000	34 x 7	400			CC-6
22	4803*	Headlamp, Military	Hi	28.00	50.00	1.79	19,000	34 x 7	400	3 Lug ^⑦	5.000 127	CC-6
			Lo	28.00	40.00	1.43	11,000	34 x 7	400			CC-6
23	4860(OR)*	Signal, Military	Hi	28.00	80.00	2.86	N.A.	34 x 7	400	3 Eyelet	5.000 127	CC-6
			Lo	28.00	60.00	2.14	N.A.	34 x 7	400			CC-6

④ At 14 Volts ⑦ Contact Type Ⓜ Operated Simultaneously

NOTE: CIM = Construction Industrial Machinery D.C. = Double Contact MP = Multipurpose Rt. = Right S.C. = Single Contact

***This part number is included for reference only and inventory may not be available.**

LINE NO.	LAMP NUMBER	PRIMARY APPLICATION	DESIGN VOLTS	DESIGN WATTS	DESIGN AMPS	APPROX. INITIAL MAX CANDLE-POWER	BEAM SPREAD HOR. x VER. DEGREES	RATED AVERAGE LAB LIFE HOURS	BASE TYPE	MAXIMUM OVERALL LENGTH		FILAMENT TYPE
										in.	mm.	
PAR-56 Bulb 7" (178mm) Diameter (Continued)												
1	4863A*	Signal, Military, Amber	Hi 28.00 Lo 28.00	80.00 60.00	2.86 2.14	N.A. N.A.	34 x 7 34 x 7	400 400	WP	5.000	127	CC-6 CC-6
2	4863(0R)*	Signal, Military	Hi 28.00 Lo 28.00	80.00 60.00	2.86 2.14	N.A. N.A.	34 x 7 34 x 7	400 400	3 Eyelet	5.000	127	CC-6 CC-6
3	4860A*	Headlamp, Military, Amber	Hi 28.00 Lo 28.00	80.00 60.00	2.86 2.14	18,000 9,000	34 x 7 34 x 7	400 400	WP	5.000	127	CC-6 CC-6
4	4860	Headlamp, Military	Hi 28.00 Lo 28.00	80.00 60.00	2.86 2.14	24,000 12,000	34 x 7 34 x 7	400 400	3 Lug [Ⓣ]	5.000	127	CC-6 CC-6
5	4863*	Headlamp, Military	Hi 28.00 Lo 28.00	80.00 60.00	2.86 2.14	24,000 11,000	34 x 7 34 x 7	400 400	WP	5.000	127	CC-6 CC-6
6	H4815*	Flood, CIM, Halogen	28.00	90.00	3.21	2,500	55 x 30	800	2 Lug [Ⓣ]	4.000	102	2 C-6
7	651*	Headlamp, Train	37.50	110.00	2.93	14,000	30 x 10	1000	2 Lug [Ⓣ]	5.000	127	CC-6
Rectangular Bulb 55mm X 135mm (2.2" X 5.3")												
8	H4360	Tractor, Halogen	12.80	37.50	2.93	2,000	Trapezoidal	320	2 Lug	3.000	76.2	C-6
9	H4351	Headlamp, Automotive, Type L, Low Beam, Halogen	12.80	55.00	4.30	22,000	35 x 7	500	Rt. Angle Plastic	4.000	102	C-8
10	H4352	Headlamp, Automotive, Type U, High Beam, Halogen	12.80	65.00	5.08	45,000	26 x 5	150	Rt. Angle Plastic	4.000	102	C-8
Rectangular Bulb 92mm X 150mm (3.6" X 5.9")												
11	H9415A	Fog, Automotive, Amber, Halogen	12.80	37.50	2.93	—	45 x 5	200 [Ⓣ]	2 Lug Rt. Angle	3.000	76	C-6
12	H9415	Fog, Automotive, Halogen	12.80	37.50	2.93	12,000	45 x 5	200 [Ⓣ]	2 Lug Rt. Angle	3.000	76	C-6
13	H9406	Flood, Tractor, Halogen	12.80	50.00	3.91	1,350	70 x 30	400 [Ⓣ]	2 Lug Rt. Angle	3.000	76	C-6
14	H9414	Flood, Tractor, Halogen	12.80	50.00	3.91	2,700	45 x 20	400 [Ⓣ]	2 Lug Rt. Angle	3.000	76	C-6
15	H9411	Tractor, Halogen	12.80	50.00	3.91	5,400	Trapezoidal	400 [Ⓣ]	2 Lug Rt. Angle	3.000	76	C-6
16	H9421	Fog, Automotive, Halogen	12.80	50.00	3.91	14,000	45 x 8	200 [Ⓣ]	2 Lug Rt. Angle	3.000	76	C-6
17	H9420	Driving, Automotive, Halogen	12.80	50.00	3.91	47,000	15 x 5	200 [Ⓣ]	2 Lug Rt. Angle	3.000	76	C-6
18	H9405	Spot, Halogen	12.80	50.00	3.91	100,000	7 x 4	100	2 Lug Rt. Angle	3.000	76	C-6
19	H4703	Headlamp, Automotive, Type LF, Low Beam, Halogen	12.80	55.00	4.30	35,000	N.A.	320 [Ⓣ]	2 Lug	3.346	85	C-8
20	H4701	Headlamp, Automotive, Type UF, High Beam, Halogen	12.80	65.00	5.08	70,000	N.A.	150 [Ⓣ]	2 Lug	3.346	85	C-8
Rectangular Bulb 100mm X 165mm (4.2" X 6.5")												
21	H4651TV	TruView Sealed Beam	12.80	30.00	3.91	45,000	26 x 5	150	2 Lug [Ⓣ]	4.700		C-6
22	H4656	Headlamp, Automotive, Type 2A1, Low Beam, Halogen	Hi 12.80 Lo 12.80	35.00 35.00	2.73 2.73	15,000 25,000	35 x 7 35 x 7	200 [Ⓣ] 450 [Ⓣ]	3 Lug [Ⓣ]	4.425	111	C-6 C-6
23	HP4656*	Headlamp, Automotive, Type 2A1, Low Beam, Impact Resistant, Halogen	Hi 12.80 Lo 12.80	35.00 35.00	2.73 2.73	15,000 25,000	35 x 7 35 x 7	200 [Ⓣ] 450 [Ⓣ]	3 Lug [Ⓣ]	4.425	111	C-6 C-6

[Ⓣ] At 14 Volts [Ⓣ] Contact Type
NOTE: CIM = Construction Industrial Machinery D.C. = Double Contact MP = Multipurpose Rt. = Right S.C. = Single Contact
***This part number is included for reference only and inventory may not be available.**



LINE NO.	LAMP NUMBER	PRIMARY APPLICATION	DESIGN VOLTS	DESIGN WATTS	DESIGN AMPS	APPROX. INITIAL MAX CANDLE-POWER	BEAM SPREAD HOR. x VER. DEGREES	RATED AVERAGE LAB LIFE HOURS	BASE TYPE	MAXIMUM OVERALL LENGTH		FILAMENT TYPE
										in.	mm.	
Rectangular Bulb 100mm X 165mm (4.2" X 6.5") (Continued)												
1	H4652X*	Headlamp, Automotive, Hi Type 2AX, Low Beam, Lo Right Hand Drive Vehicles, Halogen	12.80 12.80	40.00 60.00	3.91 4.69	11,000 22,000	34 x 7 34 x 7	150 ^④ 320 ^④	3 Lug ^⑦	4.700	121	C-6 C-6
2	4652	Headlamp, Automotive, Hi Type 2A1, Low Beam, Lo	12.80 12.80	40.00 60.00	3.13 4.69	12,500 22,500	34 x 7 34 x 7	200 ^④ 320 ^④	3 Lug ^⑦	4.425	111	C-6 C-6
3	H4656BL	Headlamp, Automotive, Hi Type 2A1, Low Beam, Lo Xenon	12.80 12.80	40.00 55.00	3.91 4.30	15,000 26,000	60 x 7 60 x 7	150 ^④ 450 ^④	3 Lug ^⑦	4.425	111	C-8 C-8
4	H4656TV	TruView Sealed Beam	Hi 12.80 Lo 12.80	35.00 35.00	2.73 2.73	20,000 15,000	35 x 7 35 x 7	150 320	3 Lug ^⑦	4.425		C-6 C-6
5	H4739*	Headlamp, Automotive, Hi Type 2A1, Low Beam, Lo Halogen	12.80 12.80	40.00 50.00	3.13 3.91	15,000 25,000	34 x 7 34 x 7	500 ^④ 2,000 ^④	3 Lug ^⑦	4.425	111	C-6 C-6
6	H4651A	Headlamp, Automotive, Amber, Halogen	12.80	50.00	3.91	—	26 x 5	200 ^④	2 Lug ^⑦	4.700	121	C-6
7	H4651B	Headlamp, Automotive, Blue, Halogen	12.80	50.00	3.91	—	26 x 5	200 ^④	2 Lug ^⑦	4.700	121	C-6
8	H4651R	Headlamp, Automotive, Red, Halogen	12.80	50.00	3.91	—	26 x 5	200 ^④	2 Lug ^⑦	4.700	121	C-6
9	4913-1	Flood, Tractor	12.80	50.00	3.91	1,350	80 x 20	400 ^④	Slip-On	4.530	115	C-6
10	4651R	Headlamp, Automotive, Red	12.80	50.00	3.91	3,000	26 x 5	200 ^④	2 Lug ^⑦	4.700	121	C-6
11	4919-1*	Tractor	12.80	50.00	3.91	3,750	Trapezoidal	400 ^④	Slip-On	4.530	115	C-6
12	4912-1	Fog, Automotive	12.80	50.00	3.91	10,000	40 x 5	200 ^④	Slip-On	4.530	115	C-6
13	H7921-1	Fog, Automotive, Halogen	12.80	50.00	3.91	23,900	35 x 5	200 ^④	Slip-On	4.700	121	C-6
14	4651	Headlamp, Automotive, Type 1A1, High Beam	12.80	50.00	3.91	32,000	26 x 5	200 ^④	2 Lug ^⑦	4.700	121	C-6
15	H4651	Headlamp, Automotive Type 1A1, High Beam, Halogen	12.80	50.00	3.91	45,000	26 x 5	200 ^④	2 Lug ^⑦	4.700	121	C-6
16	HP4651*	Headlamp, Automotive, Type 1A1, High Beam, Impact Resistant, Halogen	12.80	50.00	3.91	50,000	26 x 5	200 ^④	2 Lug ^⑦	4.700	121	C-6
17	H4740*	Headlamp, Automotive, Type 1A1, High Beam, Halogen	12.80	50.00	3.91	55,000	26 x 5	500 ^④	2 Lug ^⑦	4.700	121	C-6
18	H7935-1	Spot, Automotive, Halogen	12.80	50.00	3.91	175,000	6.5 x 3.5	100	Slip-On	4.530	115	C-6
19	H6545BL	Headlamp, Automotive, Hi Type 2E1, High/Low Beam, Xenon	12.80 12.80	65.00 55.00	5.08 4.30	28,000 24,000	60 x 7 60 x 7	150 ^④ 450 ^④	3 Lug ^⑮	4.700	121	C-8 C-8
20	H6545TV	TruView Sealed Beam	Hi 12.80 Lo 12.80	65.00 45.00	5.08 3.52	30,000 20,000	35 x 7 35 x 7	150 320	3 Lug ^⑮	4.700		C-6 C-6
21	H6545	Headlamp, Automotive, Hi Type 2E1, High/Low Beam, Halogen	12.80 12.80	65.00 45.00	5.08 3.52	35,000 25,000	35 x 7 35 x 7	150 ^④ 450 ^④	3 Lug ^⑮	4.425	111	C-6 C-6
22	HP6545*	Headlamp, Automotive, Hi Type 2E1, High/Low Beam, Impact Resistant, Halogen	12.80 12.80	65.00 45.00	5.08 3.52	35,000 25,000	35 x 7 35 x 7	150 ^④ 450 ^④	3 Lug ^⑮	4.700	121	C-6 C-6
23	4921-1	Fog, Automotive	12.80	100.00	7.81	17,000	40 x 5	200 ^④	MP	4.425	111	C-6

④ At 14 Volts ⑦ Contact Type ⑮ Contact Type One Offset Lug

NOTE: CIM = Construction Industrial Machinery D.C. = Double Contact MP = Multipurpose Rt. = Right S.C. = Single Contact

***This part number is included for reference only and inventory may not be available.**

LINE NO.	LAMP NUMBER	PRIMARY APPLICATION	DESIGN VOLTS	DESIGN WATTS	DESIGN AMPS	APPROX. INITIAL MAX CANDLE-POWER	BEAM SPREAD HOR. x VER. DEGREES	RATED AVERAGE LAB LIFE HOURS	BASE TYPE	MAXIMUM OVERALL LENGTH		FILAMENT TYPE
										in.	mm.	
Rectangular Bulb 142mm X 200mm (5.6" X 7.9")												
1	6052	Headlamp, Automotive, Type 2B1, High/Low Beam	Hi 12.80 Lo 12.80	65.00 55.00	5.08 4.30	32,000 25,000	34 x 7 34 x 7	150 ^④ 320 ^④	3 Lug [Ⓣ]	5.315	135	C-6 C-6
2	6053	Headlamp, Automotive, Type 2B1, High/Low Beam	Hi 12.80 Lo 12.80	65.00 55.00	5.08 4.30	32,000 25,000	34 x 7 34 x 7	300 ^④ 500 ^④	3 Lug [Ⓣ]	5.315	135	C-6 C-6
3	6058*	Headlamp, Motorcycle	Hi 12.80 Lo 12.80	65.00 55.00	5.08 4.30	35,000 30,000	34 x 7 34 x 7	150 ^④ 450 ^④	3 Lug [Ⓣ]	5.315	135	C-6 C-6
4	H6060*	Headlamp, Automotive Halogen	Hi 12.80 Lo 12.80	65.00 50.00	5.08 3.91	35,000 30,000	34 x 7 34 x 7	500 ^④ 2,000 ^④	3 Lug [Ⓣ]	5.315	135	C-6 C-6
5	H6054	Headlamp, Automotive, Type 2B1, High/Low Beam, Halogen	Hi 12.80 Lo 12.80	65.00 35.00	5.08 2.73	40,000 35,000	35 x 7 35 x 7	150 ^④ 450 ^④	3 Lug [Ⓣ]	5.315	135	C-6 C-6
6	H6054TV	TruView Sealed Beam	Hi 12.80 Lo 12.80	65.00 35.00	5.08 2.73	40,000 24,000	35 x 7 35 x 7	150 320	3 Lug [Ⓣ]	5.315		C-6 C-6
7	HP6054*	Headlamp, Automotive, Type 2B1, High/Low Beam, Impact Resistant, Halogen	Hi 12.80 Lo 12.80	65.00 35.00	5.08 2.73	40,000 35,000	35 x 7 35 x 7	150 ^④ 450 ^④	3 Lug [Ⓣ]	5.315	135	C-6 C-6
8	H6054BL	Headlamp, Automotive, Type 2B1, High/Low Beam, Xenon	Hi 12.80 Lo 12.80	65.00 55.00	5.08 4.30	28,000 27,000	80 x 7 80 x 7	150 ^④ 450 ^④	3 Lug [Ⓣ]	5.315	135	C-8 C-8
9	H6052X	Headlamp, Automotive, Type 2BX, High/Low Beam, Right Hand Drive Vehicles, Halogen	Hi 12.80 Lo 12.80	65.00 55.00	5.08 4.30	45,000 25,000	34 x 7 34 x 7	150 ^④ 450 ^④	3 Lug [Ⓣ]	5.400	138	C-6 C-6
10	H6059*	Headlamp, Automotive, Type 2B1, High/Low Beam, Halogen	Hi 12.80 Lo 12.80	65.00 55.00	5.08 4.30	45,000 32,000	35 x 7 35 x 7	500 ^④ 1500 ^④	3 Lug [Ⓣ]	5.315	135	C-6 C-6



④ At 14 Volts Ⓣ Contact Type

NOTE: CIM = Construction Industrial Machinery D.C. = Double Contact MP = Multipurpose Rt. = Right S.C. = Single Contact

***This part number is included for reference only and inventory may not be available.**

60 RIGHT HAND DRIVE SEALED BEAM SPECIFICATIONS

LINE NO.	LAMP NUMBER	PRIMARY APPLICATION	DESIGN VOLTS	DESIGN WATTS	DESIGN AMPS	APPROX. INITIAL MAX CANDLE-POWER	BEAM SPREAD HOR. x VER. DEGREES	RATED AVERAGE LAB LIFE HOURS	BASE TYPE	MAXIMUM OVERALL LENGTH		FILAMENT TYPE
										in.	mm.	
Round Bulb 5³/₄" (146mm) Diameter												
1	4003*	Incandescent Hi	12.80	50.00	4.20	18,000	34 x 7	200	Lug	4.000		C-6
		Sealed Beam Lo	12.80	37.50	2.93	10,000	34 x 7	320				C-6
2	5712	Incandescent Sealed Beam	12.80	50.00	4.20	55,000	26 x 5	150	Lug	4.000		C-6
3	5731	"E" Mark 28.5mm Hi	12.80	60.00	4.90	20,000	34 x 7	200	Lug	4.000		C-6
		Pilot Hole Lo	12.80	37.50	2.93	10,000	34 x 7	320				C-6
Round Bulb 7" (178mm) Diameter												
4	7002*	Same as 7014 Hi	12.80	60.00	4.97	48,000	34 x 7	200	Lug	5.000		C-6
		No Pilot Hole Lo	12.80	45.00	3.73	27,000	34 x 7	320				C-6
5	7014	"E" Mark 28.5mm Hi	12.80	60.00	4.97	48,000	34 x 7	202	Lug	5.000		C-6
		Pilot Hole Lo	12.80	45.00	3.75	27,000	34 x 7	320				C-6
6	7010*	Same as 7019 Hi	12.80	75.00	6.30	60,000	34 x 7	201	Lug	5.000		C-6
		No Pilot Hole Lo	12.80	50.00	4.20	30,000	34 x 7	320				C-6
7	7019	"E" Mark 28.5mm Hi	12.80	75.00	6.30	60,000	34 x 7	203	Lug	5.000		C-6
		Pilot Hole Lo	12.80	50.00	4.20	30,000	34 x 7	320				C-6
Rectangular Bulb 4" X 6" (102mm X 152mm)												
8	4652X*	Incandescent Hi	12.80	60.00	4.90	22,000	34 x 7	150	Lug	4.800		C-6
		Sealed Beam Lo	12.80	40.00	3.36	11,000	34 x 7	320				C-6
Rectangular Bulb 5" X 8" (127mm X 203mm)												
9	6052X	Incandescent Hi	12.80	65.00	5.43	35,000	34 x 7	150	Lug	5.400		C-6
		Sealed Beam Lo	12.80	55.00	4.60	22,000	34 x 7	320				C-6
10	H6052X	Halogen Hi	12.80	65.00	5.08	45,000	34 x 7	150	Lug	5.400		C-6
		Sealed Beam Lo	12.80	55.00	4.30	25,000	34 x 7	450				C-6

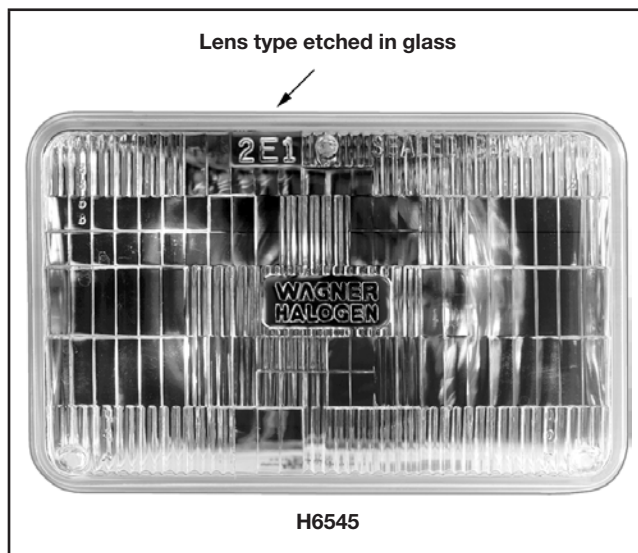
NOTE:

Type1-single filament beams don't receive "E" marks because they are universal and are used in both RHD and LHD applications.

AUTOMOTIVE FORWARD LIGHTING IDENTIFICATION CHARTS

Sealed Beam Identification Chart (By Lens Type)

TYPE	PART NO.	TYPE	PART NO.
L	H4351	2B1	H6054TV
LF	H4703	2B1	H6059
U	H4352	2B1	6052
UF	H4701	2B1	6053
1A1	H4651	2C1	H5006
1A1	H4651TV	2C1	H5009
1A1	H4740	2C1	4000
1A1	4651	2C1	4040
1C1	H5001	2D1	H6024
1C1	H5010	2D1	H6024BL
1C1	4001	2D1	H6024TV
1C1	5001	2D1	H6026
2A1	H4656	2D1	6006
2A1	H4656BL	2D1	6014
2A1	H4656TV	2D1	6015
2A1	H4739	2E1	H6545
2A1	4652	2E1	H6545BL
2B1	H6054	2E1	H6545TV
2B1	H6054BL		



Halogen Capsule Identification Chart (By Category Type)

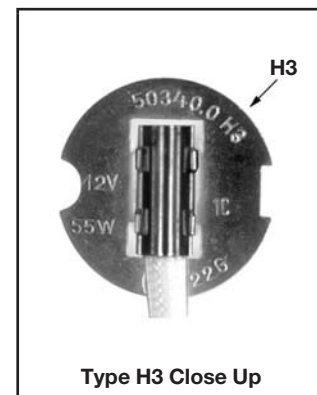
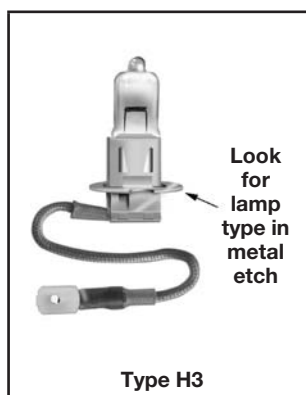
TYPE	PART NO.	TYPE	PART NO.
HB1	9004	HB3A	9005XS
HB1	9004BL	HB4	9006
HB1	9004TV	HB4	9006BL
HB2	9003	HB4	9006TV
HB2	9003BL	HB4A	9006XS
HB2	9003TV	HB5	9007
HB3	9005	HB5	9007BL
HB3	9005BL	HB5	9007TV
HB3	9005TV	HB13	9008



EUROPEAN HALOGEN LAMP TYPES

Identification Chart (With Specifications)

TYPE	VOLTS	WATTS	BASE TYPE	PART NO.
H1	12	55	P14.5s	BP1255/H1
H1	12	55	P14.5s	BP1255/H1LL
H1	12	100	PX14.5s	BP1210/H1
H1	12	130	P14.5s	BP1213/H1
H1	24	70	P14.5s	BP2470/H1
H2	12	55	X511	BP1255/H2
H2	12	100	X511	BP1210/H2
H2	12	130	X511	BP1213/H2
H2	24	70	X511	BP2470/H2
H3	12	35	PKZ22s	BP1235/H3
H3	12	55	PK22s	BP1255/H3
H3	12	100	PKY22s	BP1210/H3
H3	12	130	PK22s	BP1213/H3
H3	24	70	PK22s	BP2470/H3
H3A	12	55	PK22s	BP1255/H3A
H3C	12	55	P22a	BP1255/H3C
H4	12	60(HI)/55(LO)	P43t	BP1260/H4
H4	12	60(HI)/55(LO)	P43t	BP1260/H4BL
H4	12	100(HI)/80(LO)	PU43t	BP1210/H4
H4	12	130(HI)/100(LO)	P43t	BP1213/H4
H4	24	75(HI)/70(LO)	P43t	BP2475/H4
H7	12	55	PX26d	BP1255/H7
H7	12	55	PX26d	BP1255/H7LL
H9	12	65	PGJ19-5	BP1265/H9
H11	12	55	PGJ19-2	BP1255/H11
H11	12	55	PGJ19-2	BP1255/H11LL
H13	12	60(HI)/55(LO)	P26.4t	9008
H13	12	60(HI)/55(LO)	P26.4t	BP9008



LAMP LOCATOR

Use the lamp locator as a quick guide to find the headlamp you need. Please note, the lamps listed here are not to scale. To determine the diameter of a bulb in inches, multiply the bulb number by one-eighth. For example T-2 means approximately 2/8" or 1/4" diameter.

Lamp Type / Page #

Lamp Type / Page #

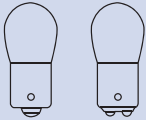
Lamp Type / Page #

Lamp Type / Page #

B-3¹/₂
pg. 24



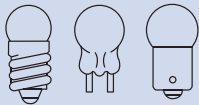
B-6
pg. 24



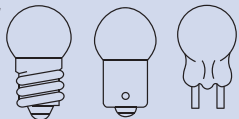
B-11
pg. 25



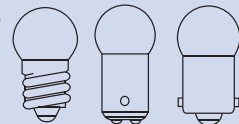
G-3¹/₂
pg. 25



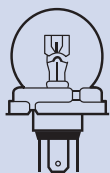
G-4¹/₂
pg. 25



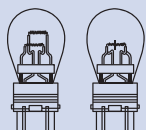
G-6
pg. 26



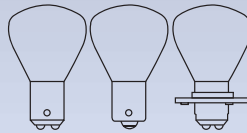
G-13
pg. 27



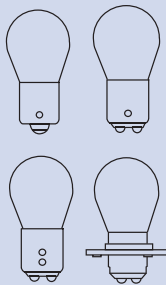
GT-8
pg. 27



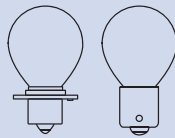
RP-11
pg. 29



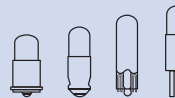
S-8
pg. 30



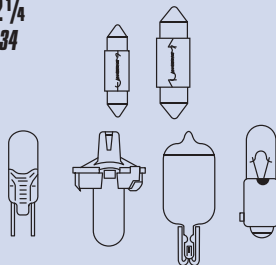
S-11
pg. 33



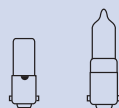
T-1³/₄
pg. 33



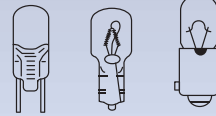
T-2¹/₄
pg. 34



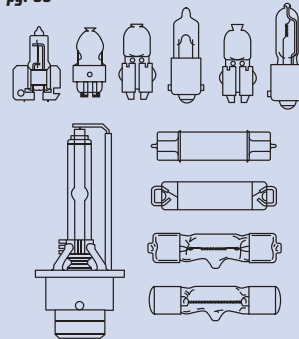
T-2¹/₂
pg. 35



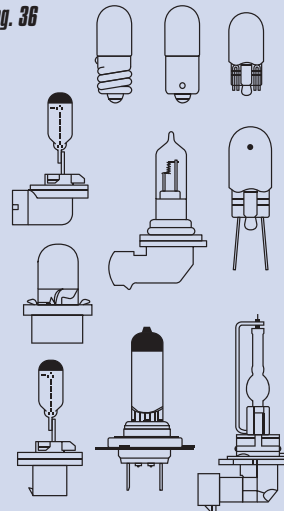
T-2³/₄
pg. 35



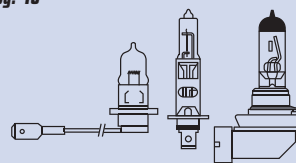
T-3
pg. 35



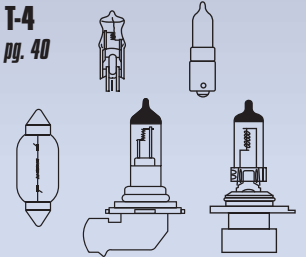
T-3¹/₄
pg. 36



T-3¹/₂
pg. 40



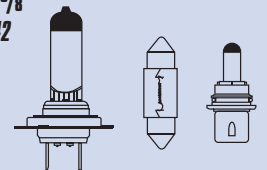
T-4
pg. 40



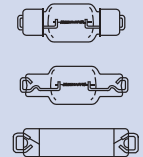
T-4¹/₂
pg. 42



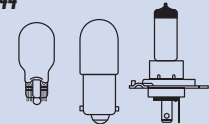
T-4⁵/₈
pg. 42



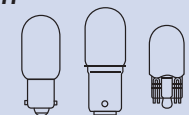
T-4³/₄
pg. 45



T-5
pg. 44



T-6
pg. 44



WAGNER[®]
LIGHTING PRODUCTS
The Automotive Lighting Experts™



26555 Northwestern Highway
Southfield, MI 48033 U.S.A.